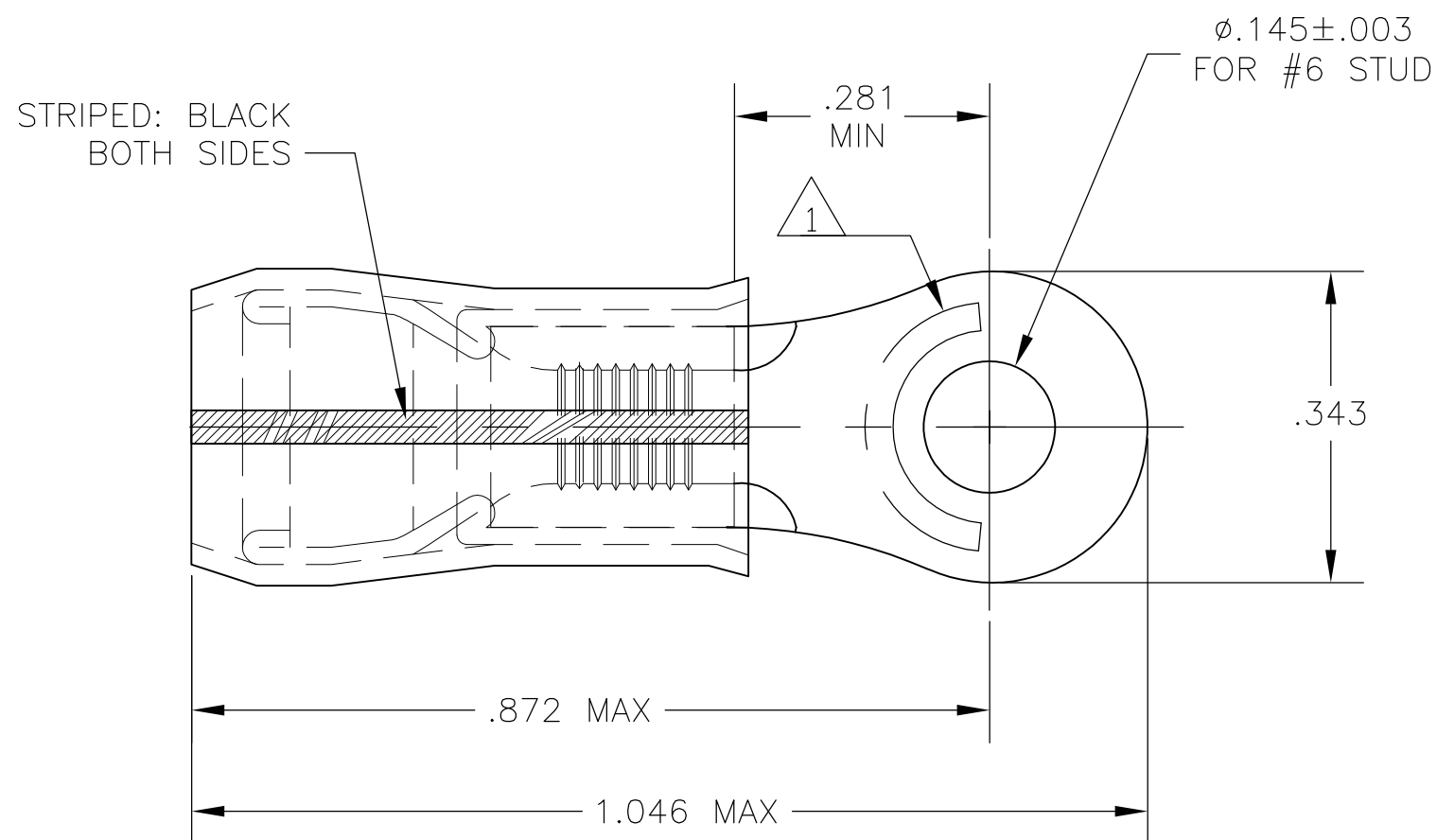


THIS DRAWING IS UNPUBLISHED. RELEASED FOR PUBLICATION
 © COPYRIGHT - BY TYCO ELECTRONICS CORPORATION. ALL RIGHTS RESERVED.

LOC	DIST	REVISIONS					
		P	LTR	DESCRIPTION	DATE	DWN	APVD
G	14			C1 REV PER ECR 08-020864	19AUG08	JR	TM

- 1 STAMP "AMP 16-14 HD*" LOCATED APPROX AS SHOWN.
- 2 TONGUE MATERIAL THK IS .050 MAX
- 3 FOR .230 MAX WIRE INSULATION DIA.



BODY & SLEEVE: COPPER PER ASTM B152 TIN LEAD (93-7) PLATE PER ASTM B545 (3% MIN LEAD CONTENT) INSULATION: PVF2, COLOR - NATURAL	53964-1
MATERIAL & FINISH	PART NO

THIS DRAWING IS A CONTROLLED DOCUMENT.		DWN jr_ruth 14SEP04	Tyco Electronics Corporation Harrisburg, PA 17105	
DIMENSIONS: INCHES		CHK T MICHELUTTI 14SEP04	NAME WIRE TERMINAL	
TOLERANCES UNLESS OTHERWISE SPECIFIED:		APVD T MICHELUTTI 14SEP04	PVF2 - PIDG - RING TONGUE	
0 PLC ± - 1 PLC ± - 2 PLC ± - 3 PLC ± .008 4 PLC ± - ANGLES ± 5°		PRODUCT SPEC -	WIRE SIZE : 16-14 HD	
MATERIAL -	FINISH -	APPLICATION SPEC -	SIZE A3	RESTRICTED TO -
		WEIGHT -	CAGE CODE 00779	DRAWING NO G-53964
		CUSTOMER DRAWING	SCALE 5:1	SHEET 1 OF 1
			REV C1	

单击下面可查看定价，库存，交付和生命周期等信息

[>>TE Connectivity\(泰科\)](#)