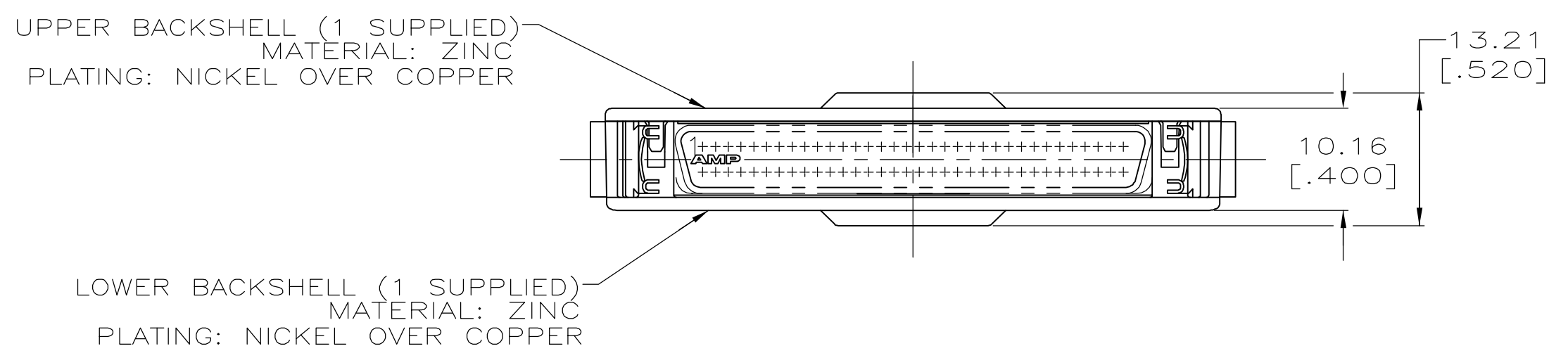
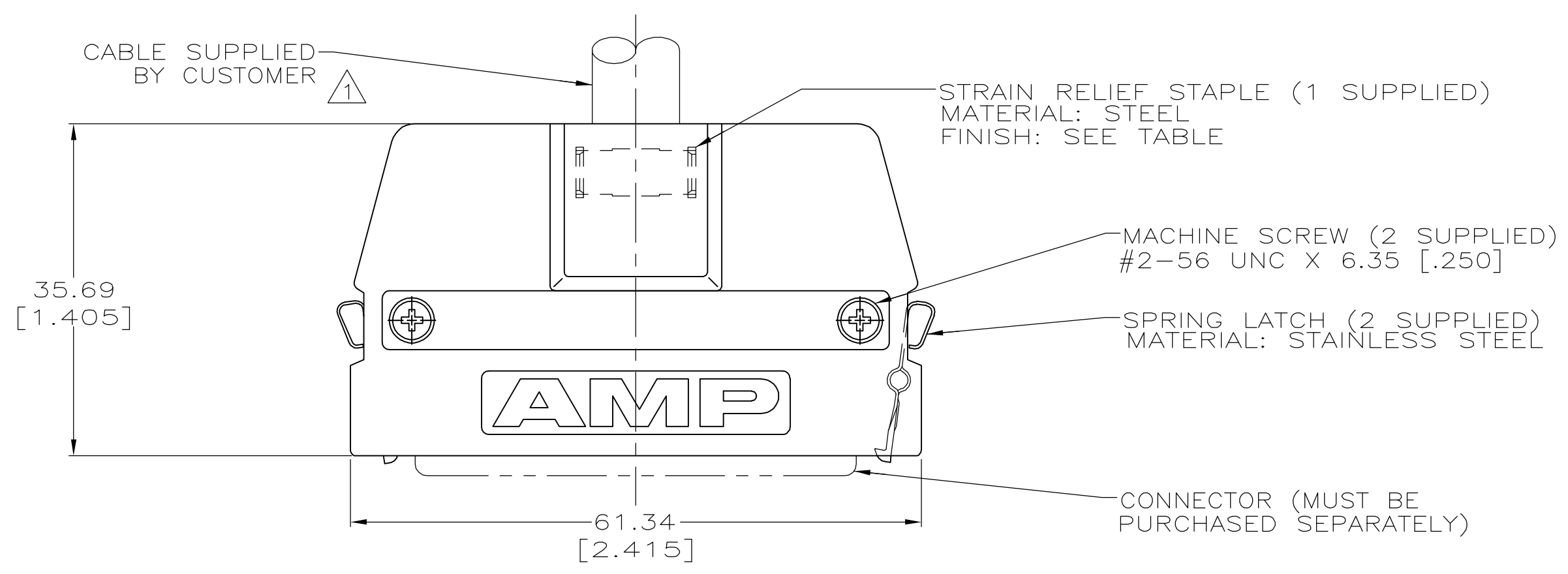


THIS DRAWING IS UNPUBLISHED. RELEASED FOR PUBLICATION
 © COPYRIGHT BY TYCO ELECTRONICS CORPORATION. ALL RIGHTS RESERVED.

| LOC | DIST | REVISIONS | | | |
|-----|------|-------------|---------------------------|---------|-------|
| P | LTR | DESCRIPTION | DATE | DWN | APVD |
| GP | 00 | E1 | REVISED PER ECO-05-009286 | 28FEB06 | BM SS |

- ① 10.16 [.400] MAX CABLE DIA
- ② 11.18 [.440] MAX CABLE DIA
- ③ BRIGHT TIN-LEAD OVER NICKEL.
- ④ BRIGHT TIN OVER NICKEL.



| | | | |
|-------------------------|---------------|---------|----------|
| SUPERSEDED BY 5749195-2 | ② | ④ | 749195-3 |
| | ② | ③ | 749195-2 |
| OBSOLETE | AS SHOWN ① | ③ | 749195-1 |
| REMARKS | STAPLE FINISH | PART NO | |

| | | | | |
|--|--|---|---|--|
| THIS DRAWING IS A CONTROLLED DOCUMENT. | | DWN M.A.McCAFFREY 12-20-88 | Tyco Electronics Corporation Harrisburg, PA 17105-3608 | |
| DIMENSIONS: mm[INCHES] | | CHK M.E.SHIRK 12-20-88 | APVD | |
| TOLERANCES UNLESS OTHERWISE SPECIFIED: | | NAME | | |
| 0 PLC ± - | | PRODUCT SPEC | | |
| 1 PLC ± - | | APPLICATION SPEC | | |
| 2 PLC ± - | | WEIGHT | | |
| 3 PLC ± 0.38 [.015] | | SIZE CAGE CODE DRAWING NO RESTRICTED TO | | |
| 4 PLC ± - | | A2 00779 C-749195 | | |
| ANGLES ± - | | CUSTOMER DRAWING | | |
| FINISH | | SCALE 2:1 SHEET 1 of 1 REV E1 | | |

单击下面可查看定价，库存，交付和生命周期等信息

[>>TE Connectivity\(泰科\)](#)