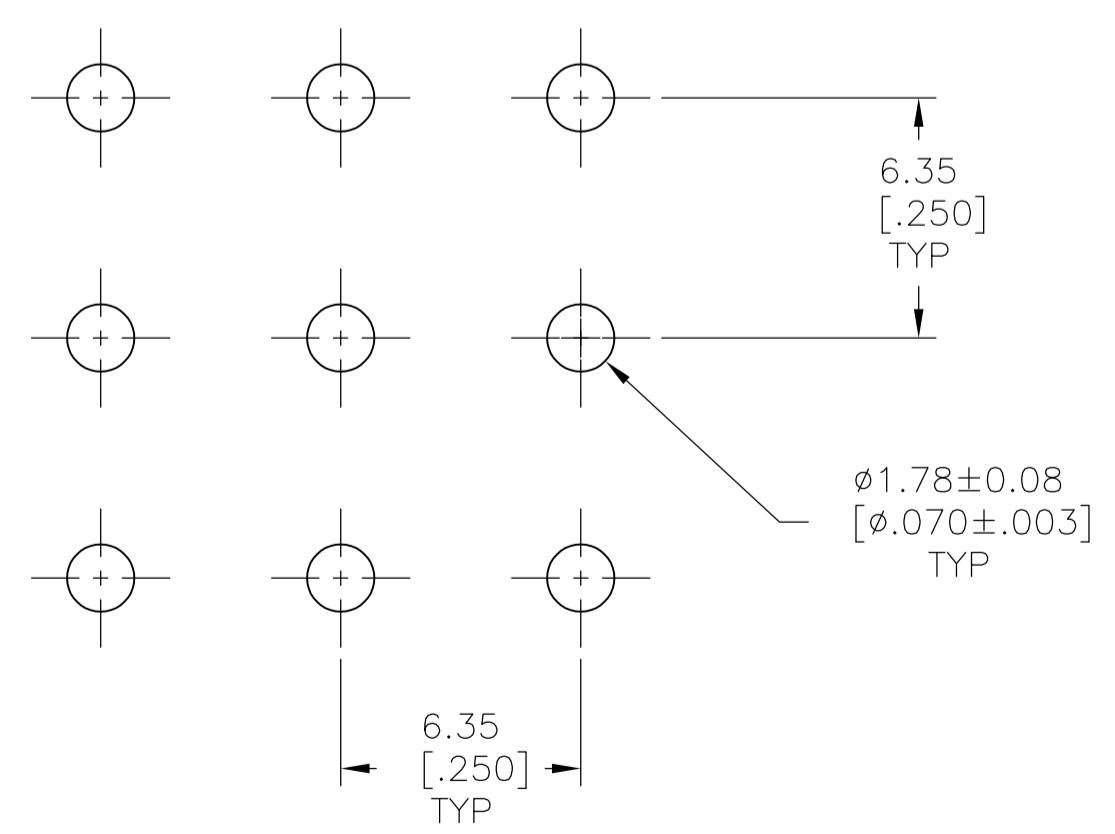
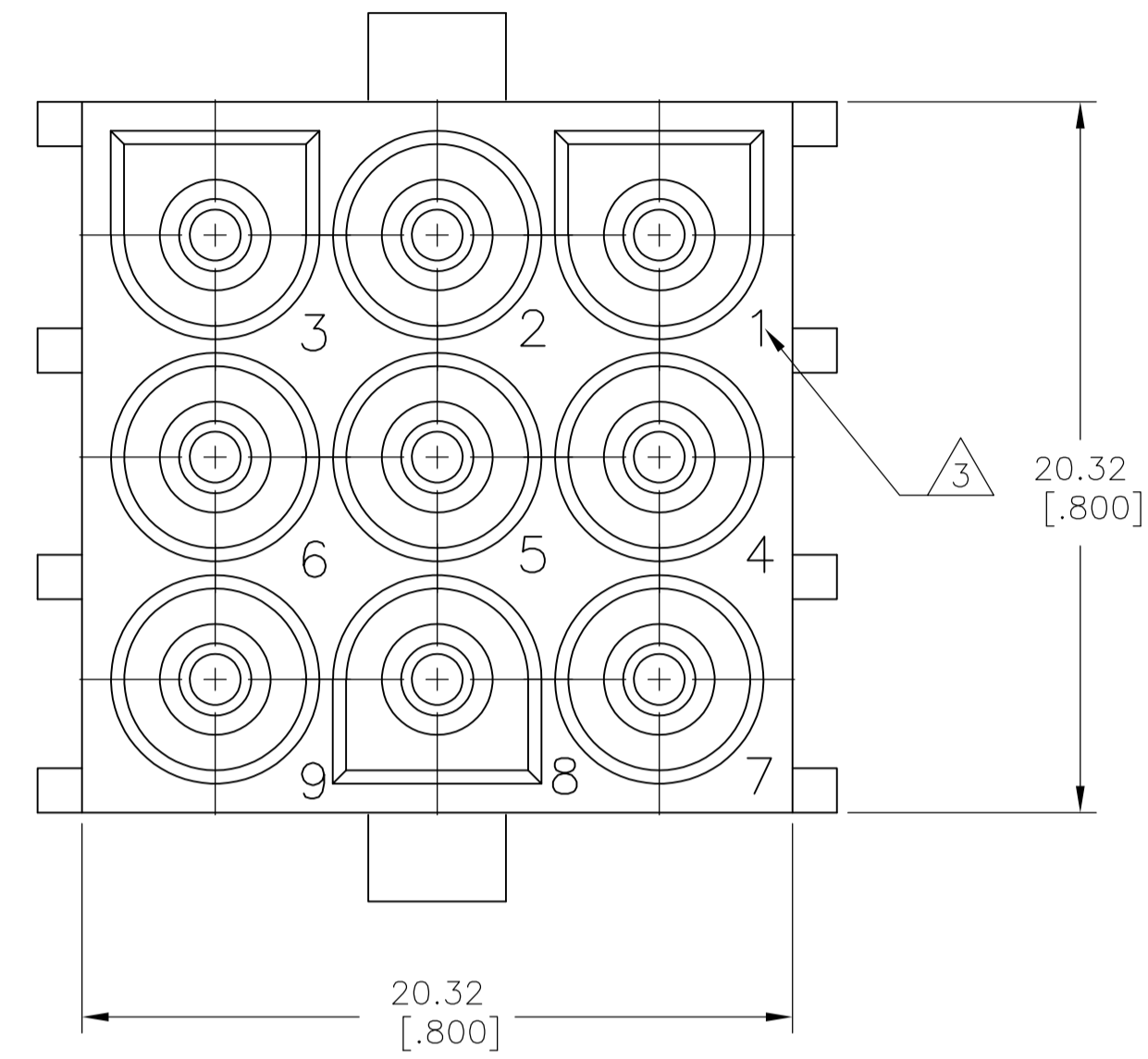
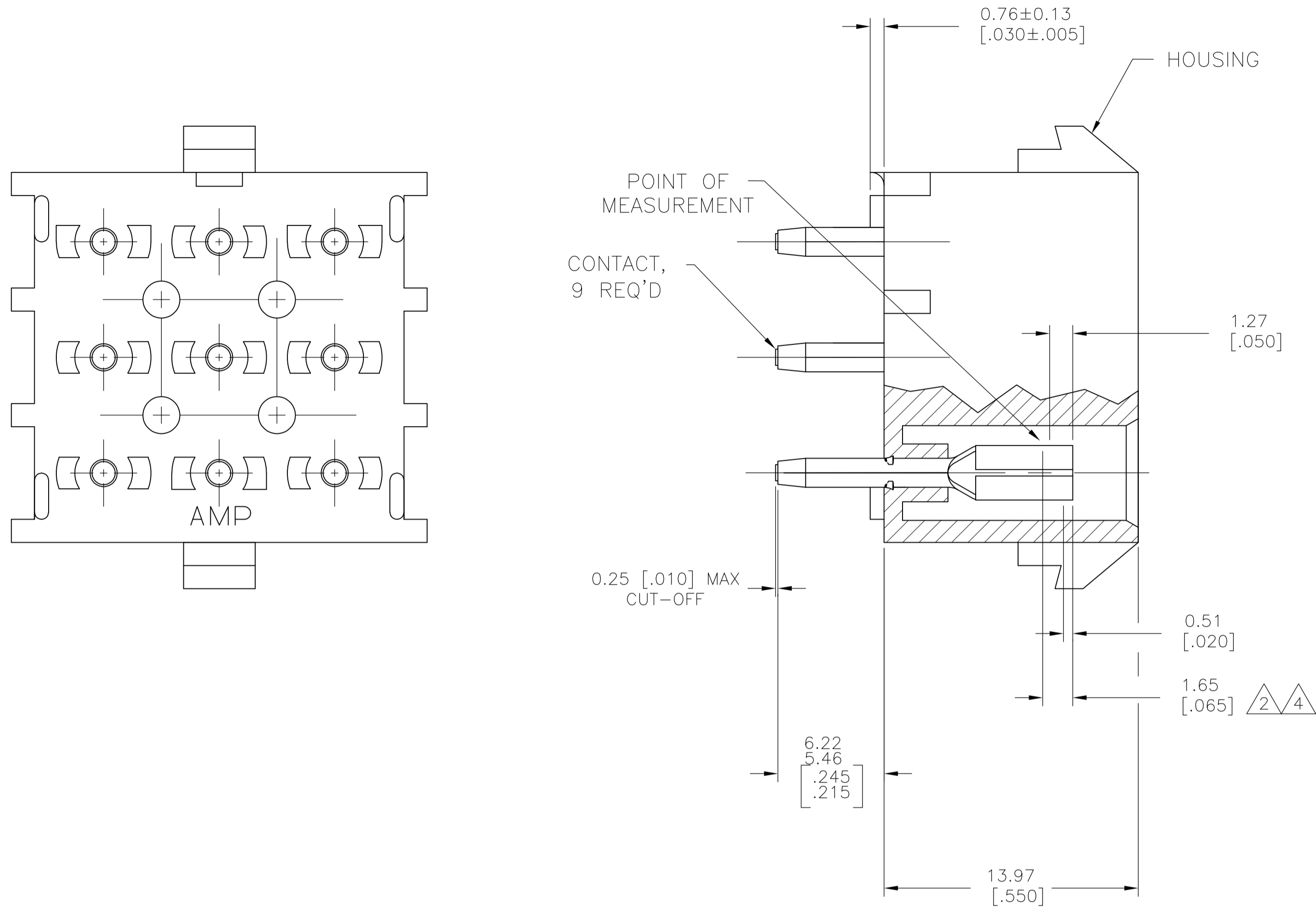


LOC		DIST		REVISIONS			
CM	00	REV	DATE	BY	CHK	APPV	
L2	REVISED PER ECR-12-011660	28JAN13	KH	TM			

- 1 PARTS MUST COMPLY WITH AMP SOLDERABILITY SPEC 109-11-3.
- 2 CONTACT IS STAMPED FROM PRE-PLATED STOCK WHICH IS PLATED OVERALL WITH 0.00127 [.000050] NICKEL, THEN STRIPED WITH 0.00076 [.000030] GOLD IN CONTACT AREA INDICATED AND TIN-LEAD ON SOLDER TAIL END.
- 3 CIRCUIT IDENTIFICATION CHARACTERS ARE ADJACENT TO THE INDICATED CAVITIES, BUT LOCATION AND ORIENTATION MAY DIFFER FROM PRINT.
- 4 CONTACT IS PLATED OVERALL WITH 0.00127 [.000050] NICKEL, THEN 0.00076 [.000030] GOLD OVER CONTACT LENGTH INDICATED AND MATTE TIN ON SOLDER TAIL END.
- 5 SUPERSEDED BY 350835-4



RECOMMENDED LAYOUT FOR 3.18 [.125] THICK PC BOARD

PH BRZ GOLD $\triangle 4$	NYLON, 94V-0	350835-4
PH BRZ GOLD $\triangle 2$	NYLON, 94V-0	350835-2
PH BRZ TIN	NYLON, 94V-0	350835-1
CONTACT	HOUSING	PART NO

DIMENSIONS:		TOLERANCES UNLESS OTHERWISE SPECIFIED:		APPROVED:		NAME:	
mm	[INCHES]	0 PLC	±	DIN K. WHITAKER	11OCT2005	STE TE Connectivity	
		1 PLC	±	CHK S. RIDGILL	11OCT2005	9 CIRCUIT UNIVERSAL MATE-N-LOK (TM)	
		2 PLC	±	APPROVED S. RIDGILL	11OCT2005	P.C. BOARD SOCKET HEADER ASSEMBLY	
		3 PLC	± 0.13 [.005]	APPLICATION SPEC		SIZE	CAGE CODE DRAWING NO
		4 PLC	±	WEIGHT		A1	00779 C=350835
MATERIAL SEE TABLE		FINISH SEE TABLE		CUSTOMER DRAWING		SCALE	5:1 SHEET 1 OF 1 REV L2

单击下面可查看定价，库存，交付和生命周期等信息

[>>TE Connectivity\(泰科\)](#)