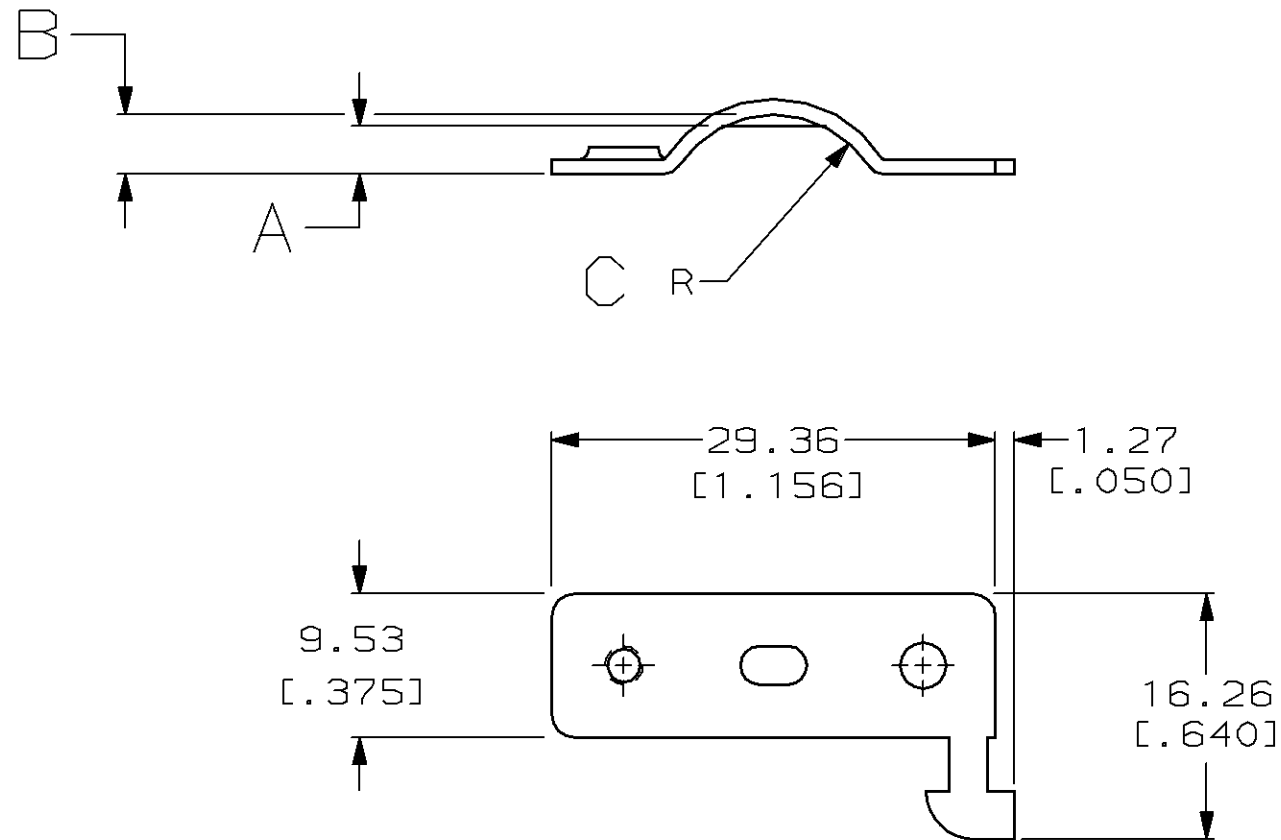


THIS DRAWING IS UNPUBLISHED. RELEASED FOR PUBLICATION, 19
 © COPYRIGHT 19 BY AMP INCORPORATED. ALL INTERNATIONAL RIGHTS RESERVED.

MOD	LOC	DIST	P	F	ZONE	LTR	DESCRIPTION	DATE	APPD
2	BD	36				0	RELEASED	01/23/91	-
						01	ADDED -9 NPR 4784 WAS 93-5034-1	05/13/93	RK
						A	REV PER EC 0020-1470-93	01/03/94	TC



8.89 [.350]	3.07 [.121]	2.29 [.090]	201162-9
7.54 [.297]	3.96 [.156]	3.18 [.125]	201162-7
5.54 [.218]	5.54 [.218]	5.08 [.200]	201162-4

	C	B	A	PART NO	
DO NOT SCALE PRINT. UNLESS SPECIFIED DIMENSIONS IN mm [INCHES] TOLERANCES ON: 2 PLC DEC ± 0.13 [.005] 3 PLC DEC ± - ANGLES ± -					
MATERIAL CARBON STEEL					
FINISH 5.08µm [.000200] MIN NICKEL					
DR 01/23/91 L.SIPE CHK 1-25-91 W.LENKER APPD 1-31-91 R.WALTER APPD 1-31-91 W.PARKER PRODUCT SPEC - APPLICATION SPEC - WEIGHT -					
AMP AMP Incorporated Harrisburg, PA 17105-3608 NAME CABLE CLAMP, 34 PLACE SHIELD, M SERIES					
			SIZE B	CAGE CODE 00779	DRAWING NO 201162
			SCALE 2:1	SHEET 1 OF 1	

单击下面可查看定价，库存，交付和生命周期等信息

[>>TE Connectivity\(泰科\)](#)