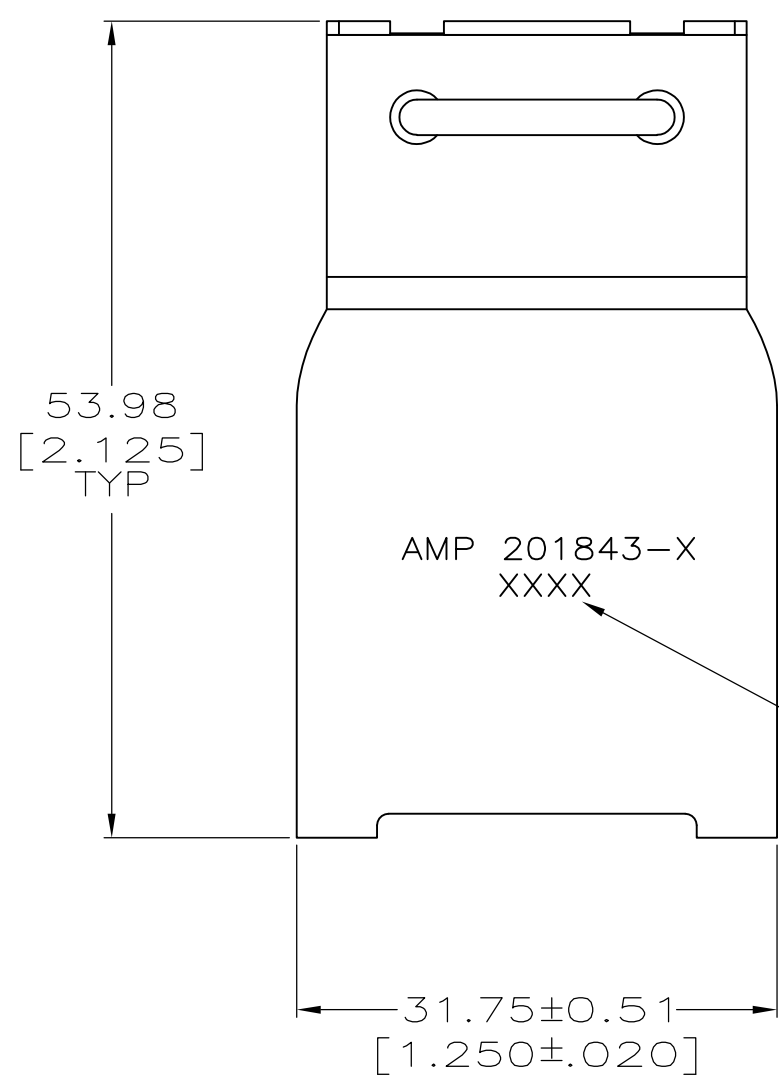
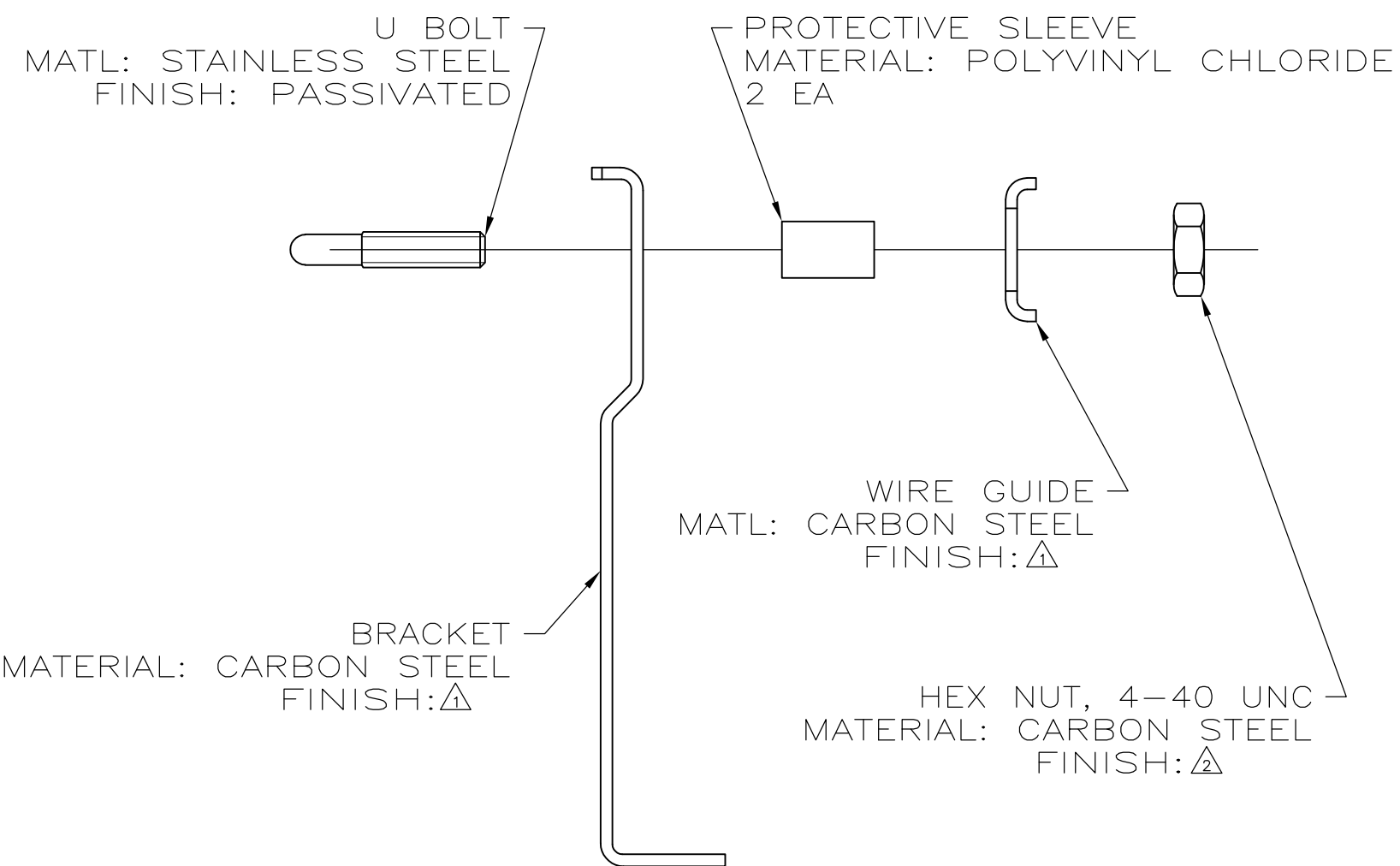
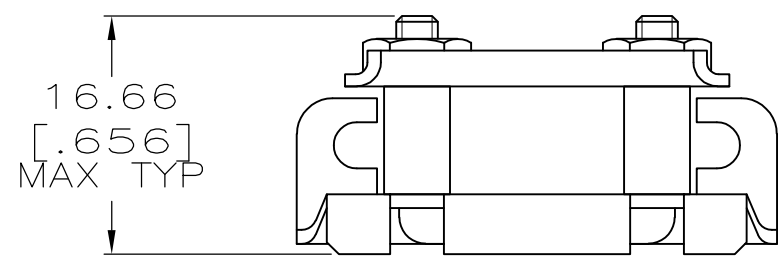


THIS DRAWING IS UNPUBLISHED. RELEASED FOR PUBLICATION  
 © COPYRIGHT BY TYCO ELECTRONICS CORPORATION. ALL RIGHTS RESERVED.

LOC	DIST	REVISIONS			
P	LTR	DESCRIPTION	DATE	DWN	APVD
FT	0	G	REVISED PER ECO-08-031035	15DEC08	HMR GS



- 1 5.08um[.000200] MIN NICKEL.
- 2 ZINC PLATE.

201843-3
201843-1
PART NUMBER

THIS DRAWING IS A CONTROLLED DOCUMENT.		DWN C.REIFSNYDER 23 APR 96	Tyco Electronics Corporation Harrisburg, Pa 17105-3608		
DIMENSIONS: mm [INCHES]		CHK R.STONE 24 MAY 96	NAME CLAMP KIT, UNASSEMBLED, STRAIN RELIEF, 14 PLACE, M SERIES		
TOLERANCES UNLESS OTHERWISE SPECIFIED:		APVD G. STEINHAUER 21 JUN 96	PRODUCT SPEC	SIZE	CAGE CODE
0 PLC ± -	1 PLC ± -	APPLICATION SPEC	—	A3	00779
2 PLC ± 0.13 [.005]	3 PLC ± -	—	DRAWING NO	G-201843	
4 PLC ± -	ANGLES ± -	WEIGHT	RESTRICTED TO	—	
MATERIAL SEE CALLOUTS	FINISH SEE CALLOUTS	CUSTOMER DRAWING		SCALE	SHEET
				2:1	1 OF 1
				REV	G

单击下面可查看定价，库存，交付和生命周期等信息

[>>TE Connectivity\(泰科\)](#)