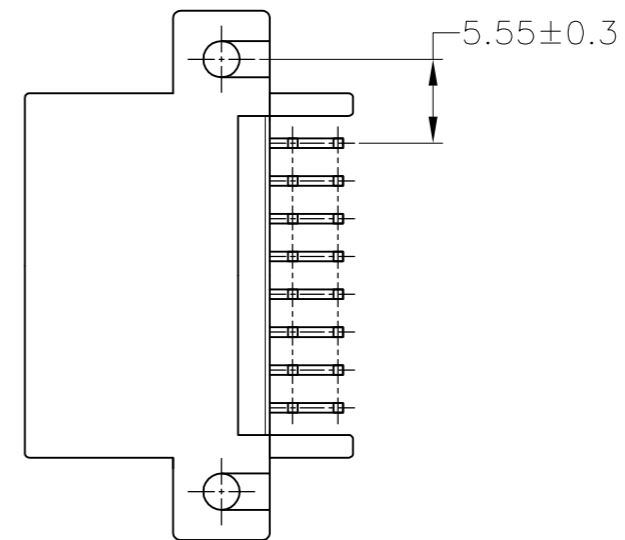
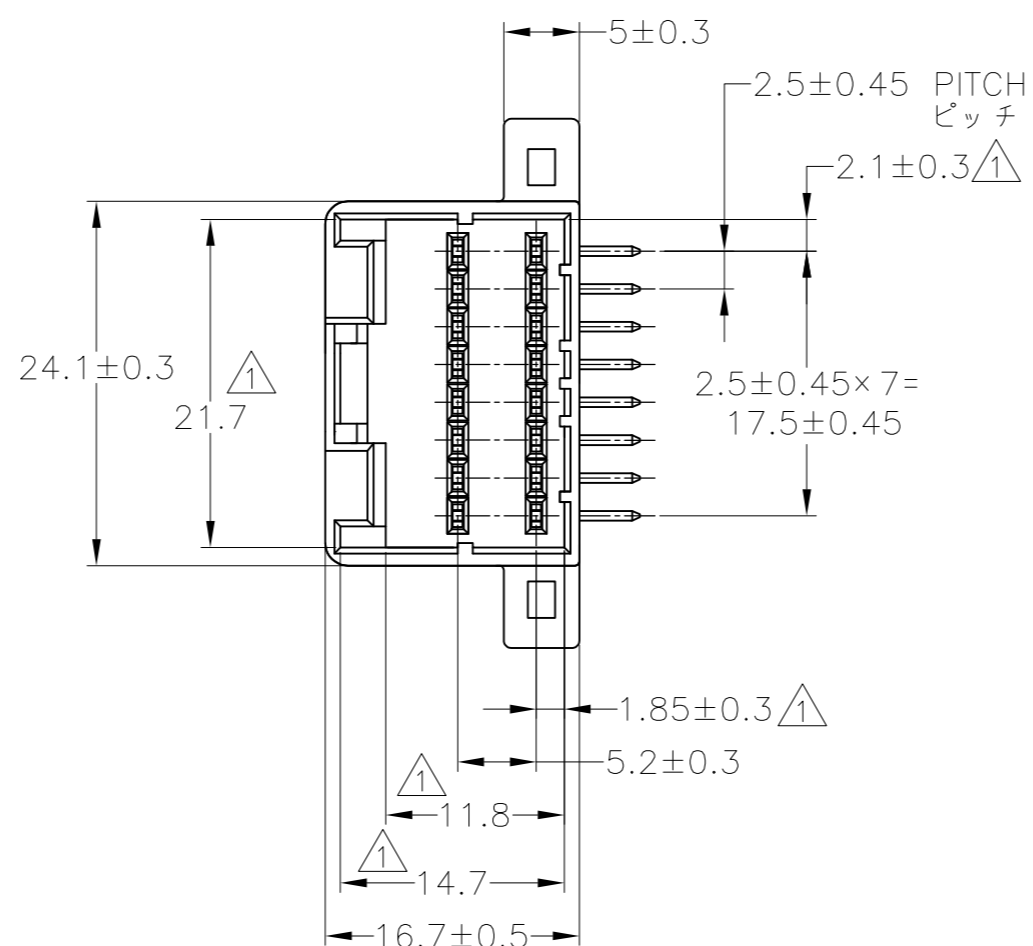
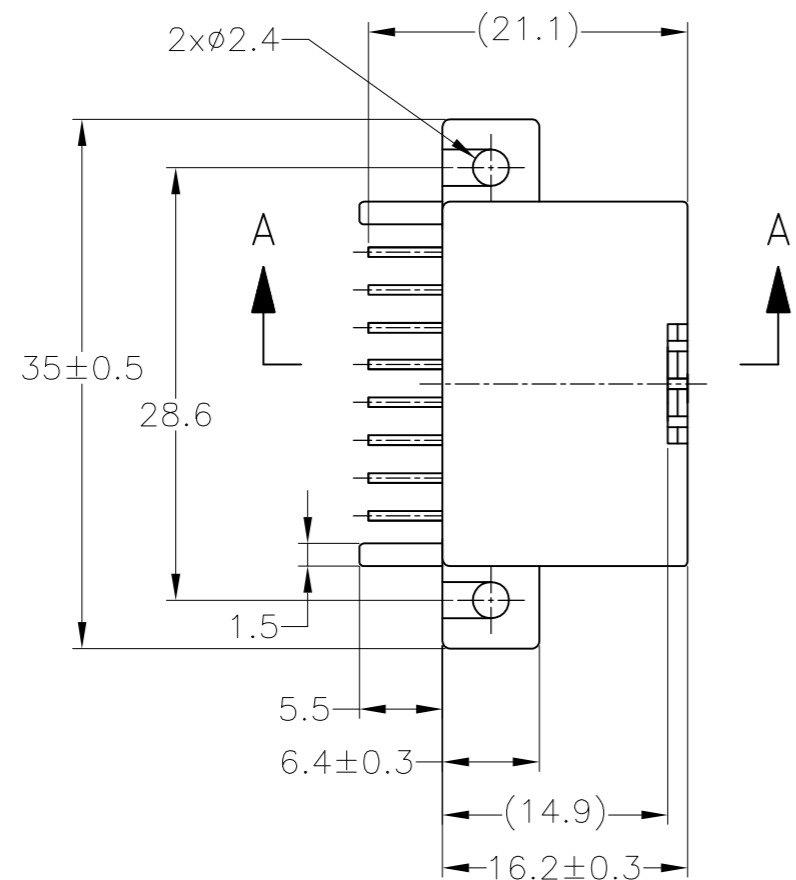


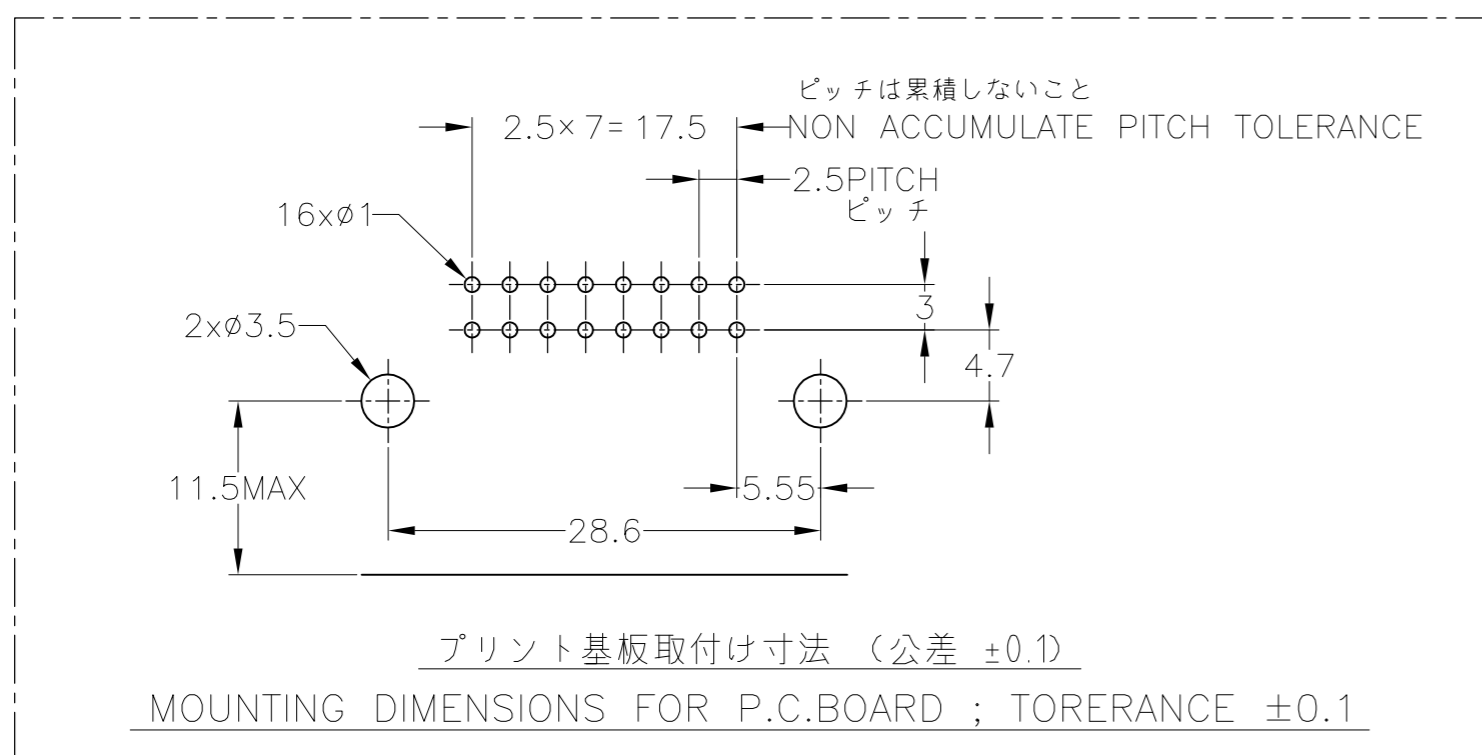
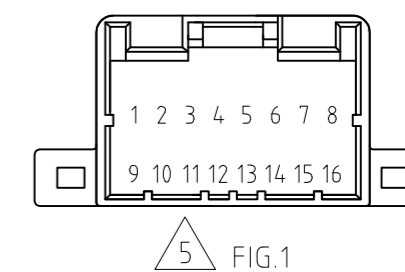
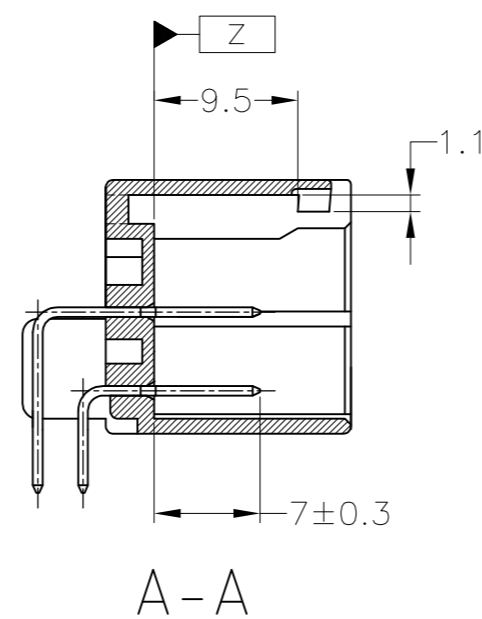
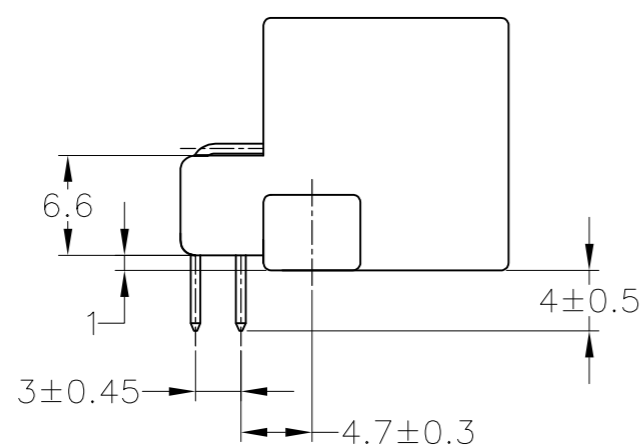
THIS DRAWING IS UNPUBLISHED. RELEASED FOR PUBLICATION
 © COPYRIGHT 2016 By Tyco Electronics Japan G.K. ALL RIGHTS RESERVED.

| REVISIONS | | | | | |
|-----------|---------|---------------|-----------|-----|------|
| P | LTR | DESCRIPTION | DATE | DWN | APVD |
| H5 | REVISED | ECR-17-002468 | 06MAR2017 | TS | KB |



- △ Z面より2mmの範囲で測定。
- 2. 適用プリント基板厚: 1.6mm
- 3. 嵌合相手ハウジング型番: 174046
- 4. 推奨取付けねじ: JIS B1115, B1122 タッピンねじ, なべ2種 呼び径3, 長さ7mm以上 (締付けトルク: 0.4N-m以下)
- △ 回路番号: FIG.1 参照
- 6. 製品規格番号: 108-5244, 取扱説明書: 411-5883

- △ TO BE MEASURED WITHIN 2mm FROM Z
- 2. APPLICABLE P.C.BOARD THICKNESS: 1.6mm
- 3. THE MATING PLUG HOUSING PART NUMBER: 174046
- 4. RECOMMENDED MOUNTING SCREW: 3mm DIA, 7mm LENGTH (MIN.) PAN HEAD, CLASS 2 TAPPING SCREW SPECIFIED IN JIS B1115, B1122 (TIGHTENING TORQUE: 0.4N-m MAX.)
- △ CIRCUIT NUMBER: SEE FIG.1
- 6. PRODUCT SPECIFICATION: 108-5244 INSTRUCTION SHEET: 411-5883



TOLERANCE UNLESS OTHERWISE SPECIFIED:
 一般公差

| | |
|--------------|---------|
| 0 < x ≤ 10 | : ±0.2 |
| 10 < x ≤ 30 | : ±0.25 |
| 30 < x ≤ 100 | : ±0.3 |
| ANGLE | : ±3° |

THIS DRAWING IS A CONTROLLED DOCUMENT.

| | |
|---------------------------------------|--|
| DIMENSIONS: mm | TOLERANCES UNLESS OTHERWISE SPECIFIED: |
| 0 PLC ± | 1 PLC ± - |
| 2 PLC ± - | 3 PLC ± - |
| 4 PLC ± - | ANGLES ± - |
| MATERIAL: HOUSING: PBT CONTACT: BRASS | FINISH: SEE TABLE |

| | | | | |
|-------------------------|---------------------|---|----------|-------------|
| SELECTIVE TIN (MATTE) | SELECTIVE GOLD x 16 | 1~16 | BLACK 黒色 | 1-5174053-2 |
| TIN-LEAD | SELECTIVE GOLD x 2 | 5,6 | BLACK 黒色 | 3-174053-2 |
| PRE-TIN x 14 | | | | |
| SEE DWG 2-174053-2 | | | | 2-174053-2 |
| OBSOLETE | TIN-LEAD | SELECTIVE GOLD x 16 | 1~16 | BLACK 黒色 |
| | PRE-TIN x 16 | | - | BLUE 青色 |
| | PRE-TIN x 16 | | - | GREEN 緑色 |
| | PRE-TIN x 16 | | - | BLACK 黒色 |
| SOLDERING SIDE 半田付け面 | CONTACT SIDE 接触部側 | △ GOLD PLATED CIRCUIT NO. 金めっき回路番号 | | COLOR 色 |
| CONTACT FINISH コンタクト仕上 | | PART NUMBER 製品型番 | | |
| DWN T.SHINOHARA 06JAN09 | | TE Connectivity | | |
| CHK K.BETSUI 06JAN09 | | 040 SERIES MULTI-LOCK I/O CONNECTOR 16POSITION CAP HOUSING ASSEMBLY | | |
| APVD K.BETSUI 06JAN09 | | NAME | | |
| PRODUCT SPEC | | SEE NOTE 6 | | |
| APPLICATION SPEC | | SIZE CAGE CODE DRAWING NO RESTRICTED TO | | |
| WEIGHT 8.4 g | | A2 00779 C=174053 | | |
| CUSTOMER DRAWING | | SCALE 2:1 SHEET 1 OF 1 REV H5 | | |

单击下面可查看定价，库存，交付和生命周期等信息

[>>TE Connectivity\(泰科\)](#)