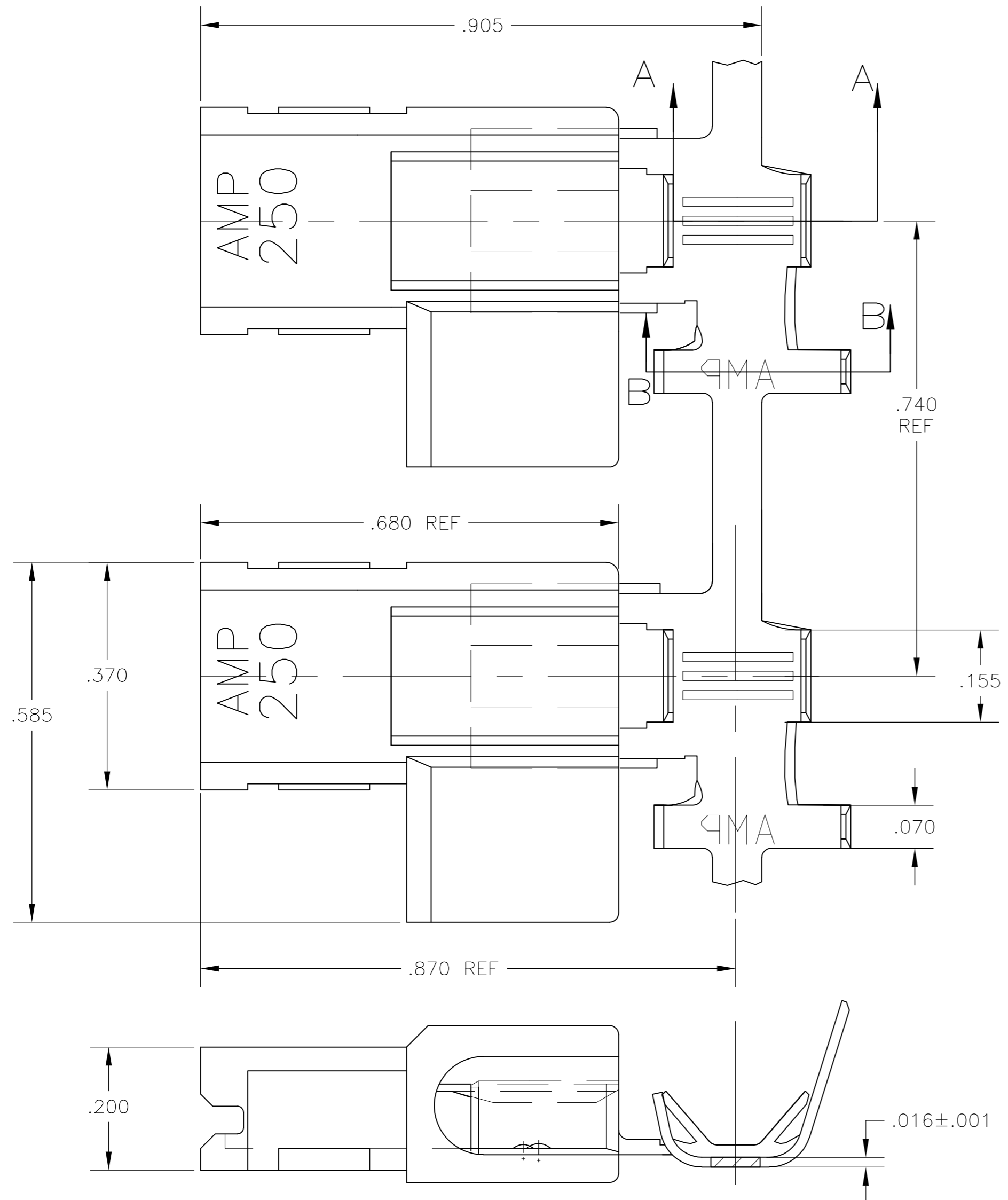
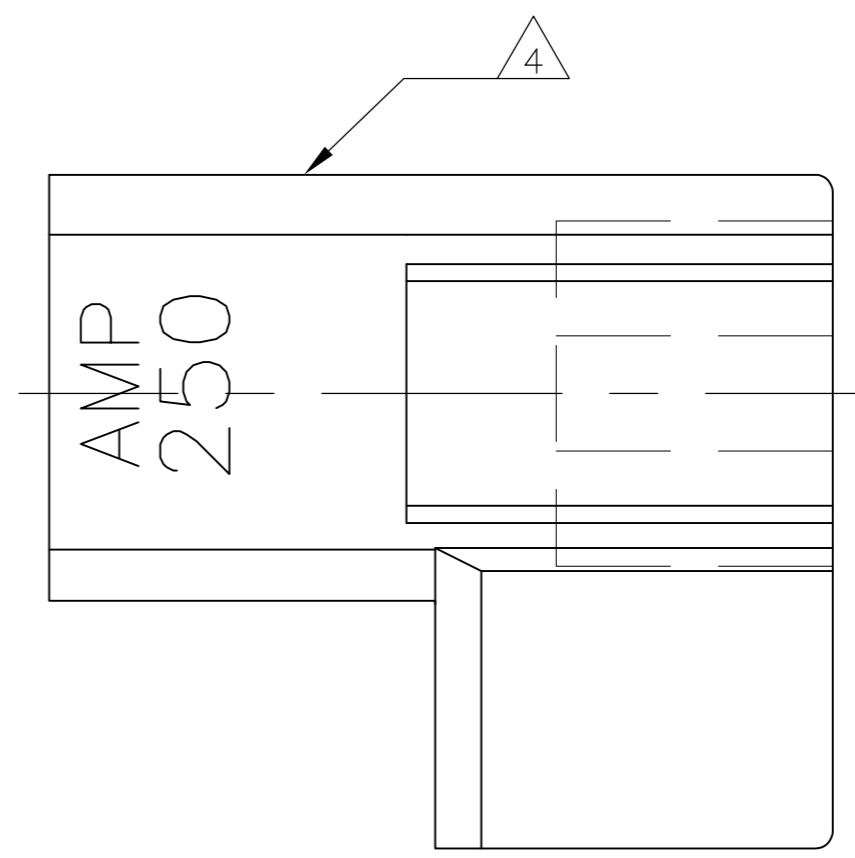
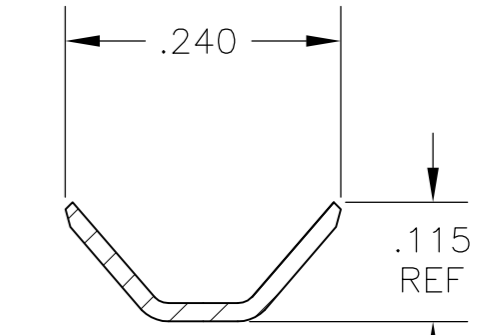
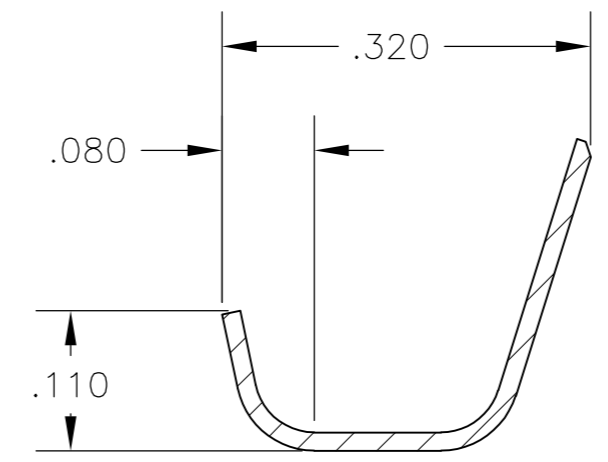


THIS DRAWING IS UNPUBLISHED. RELEASED FOR PUBLICATION
 © COPYRIGHT BY TYCO ELECTRONICS CORPORATION. ALL RIGHTS RESERVED.

Loc		DIST		REVISIONS			
AF	50	P	LTR	DESCRIPTION	DATE	DWN	APVD
		A2		REV PER ECR 10-005376	11MAR10	JR	GP



- 1 CONTINUOUS STRIP ON REELS.
- 2 INSULATION RANGE TO BE .110-.160 OR TWO AT .110 MAX DIA.
- 3 WIRE SIZE IS [#18-#14 OR TWO #20'S OR TWO #18'S].
- △4 ALTERNATE HOUSING FORM
- △5 PRELIMINARY - NOT FOR PRODUCTION.
- △6 GLOW WIRE APPROVED; CONTACT TE ENGINEERING FOR SPECIFICATION (ALL WALL THICKNESSES ARE BETWEEN 0.4-3.0[.015-.118])



V2 NYLON / NATURAL (WHITE)	BRASS / TIN PLATED	△6	1969110-2
V2 NYLON / NATURAL (WHITE)	BRASS / PLAIN	△5	1969110-1
HOUSING MATERIAL / COLOR	TERMINAL MATERIAL / FINISH	PART NO	
THIS DRAWING IS A CONTROLLED DOCUMENT.		DWN RAGHAVENDRA 05APR2007 H M CHK G D PORTA 05APR2007 APVD G D PORTA 05APR2007 NAME Tyco Electronics Corporation Harrisburg, Pa 17105-3608	
DIMENSIONS: INCHES	TOLERANCES UNLESS OTHERWISE SPECIFIED:	PRODUCT SPEC 108-1285 APPLICATION SPEC 114-2124 WEIGHT - CUSTOMER DRAWING	
0 PLC ± - 1 PLC ± - 2 PLC ± - 3 PLC ± .010 4 PLC ± - ANGLES ± - FINISH SEE TABLE	SEE TABLE	SIZE A2 CAGE CODE 00779 DRAWING NO C=1969110 SCALE 6:1 SHEET 1 OF 1 REV A2	RESTRICTED TO -

单击下面可查看定价，库存，交付和生命周期等信息

[>>TE Connectivity\(泰科\)](#)