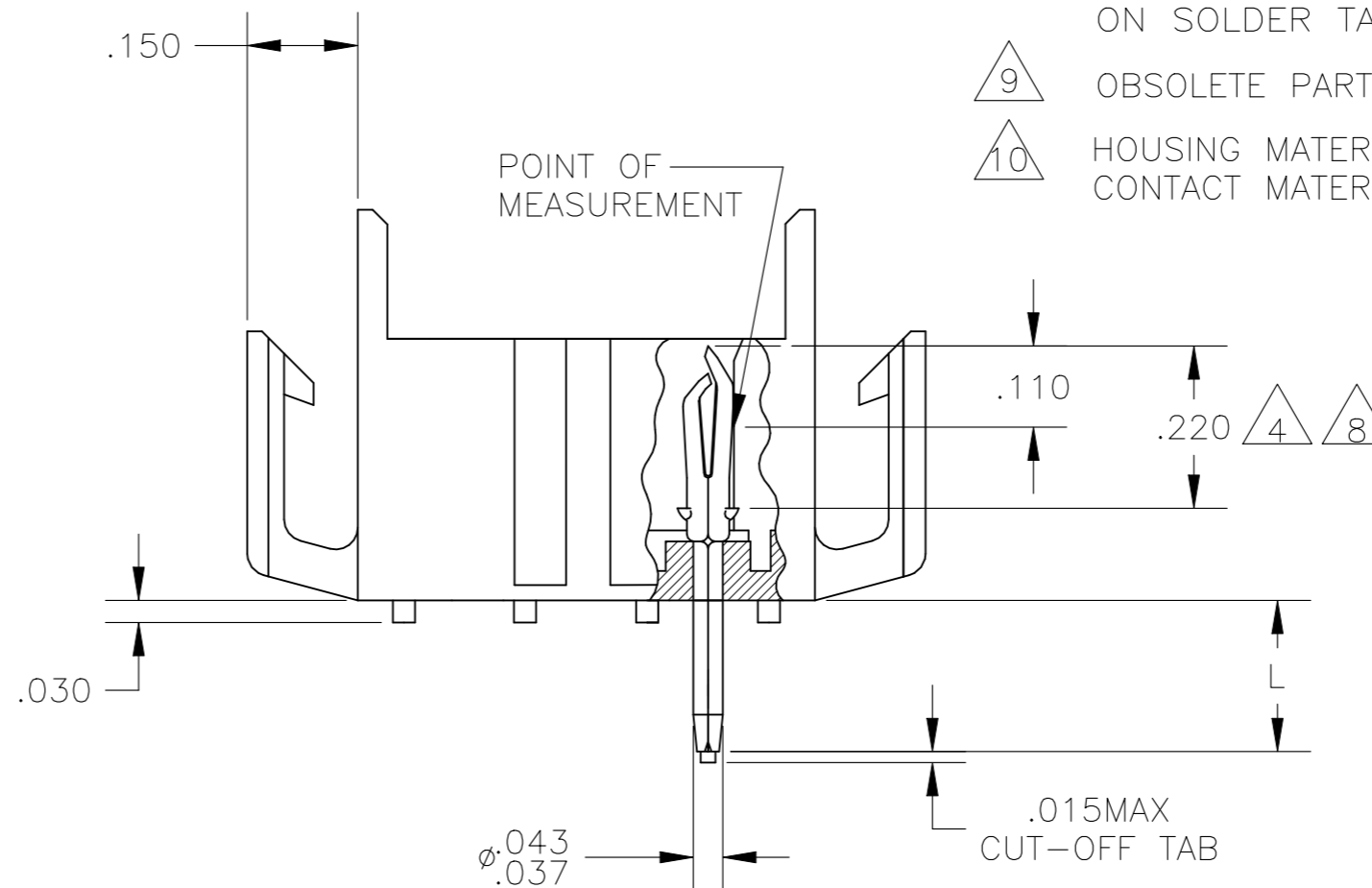
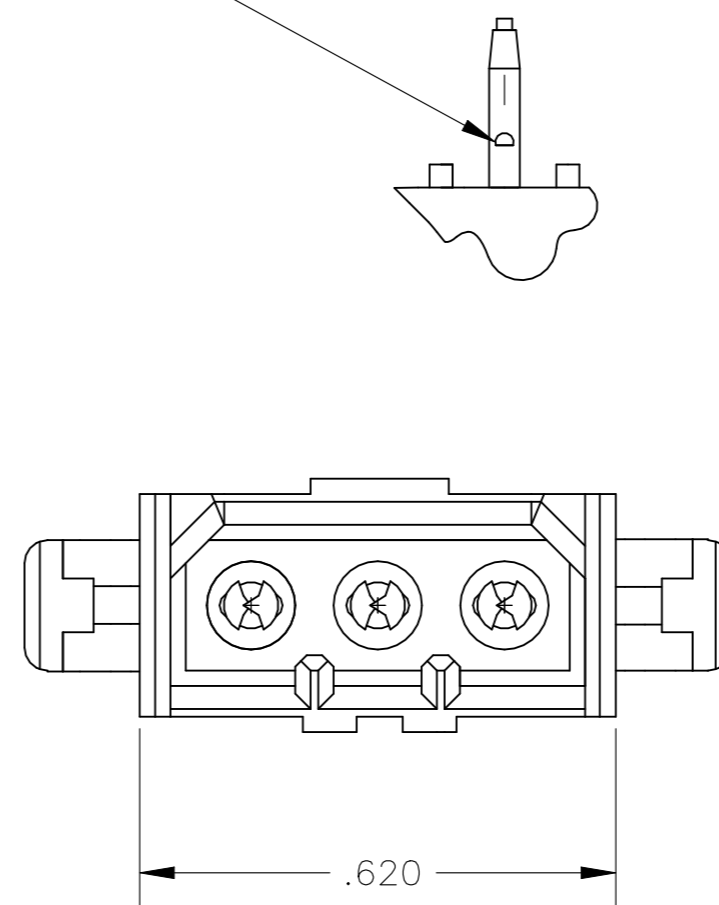
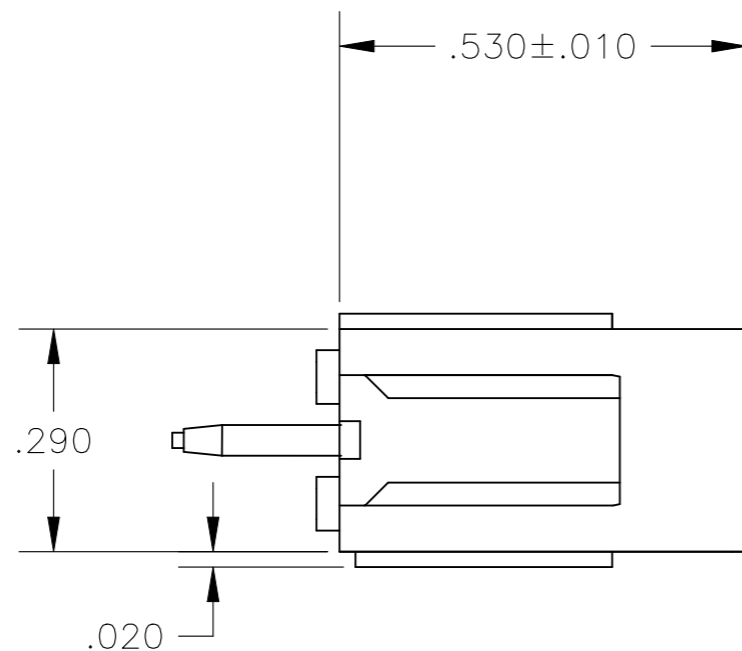
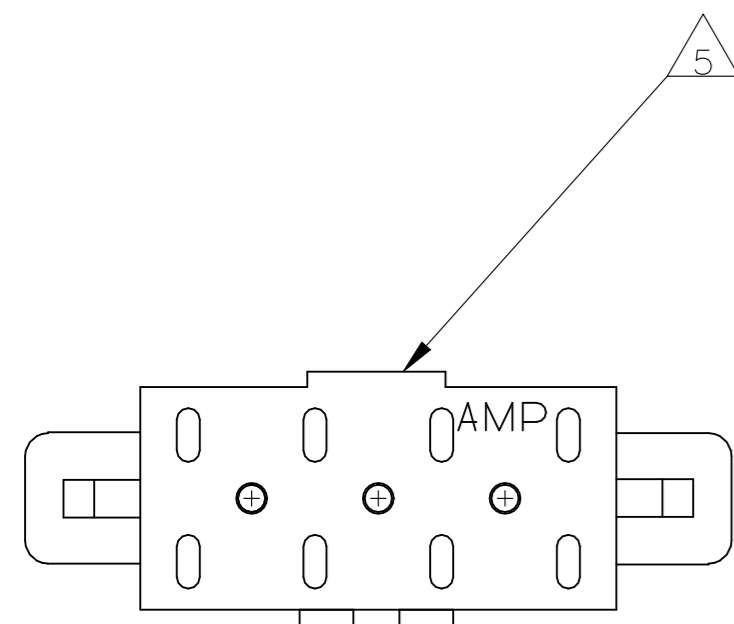
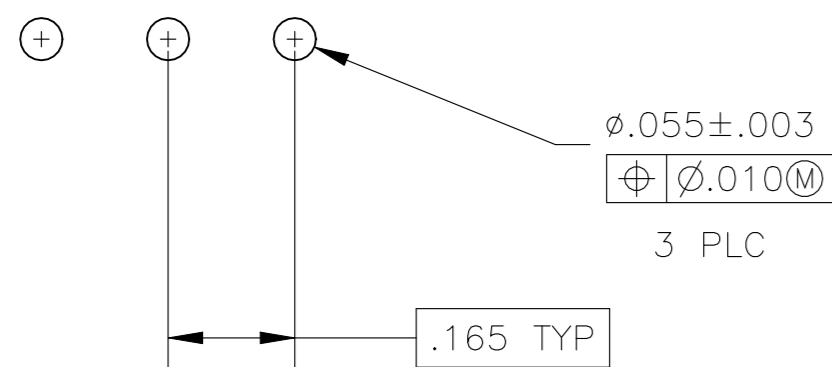


REVISIONS					
P	LTR	DESCRIPTION	DATE	DWN	APVD
S		REVISED PER ECO-21-006864	10AUG2021	RK	MZ

ANTI SOLDER WICKING TAB



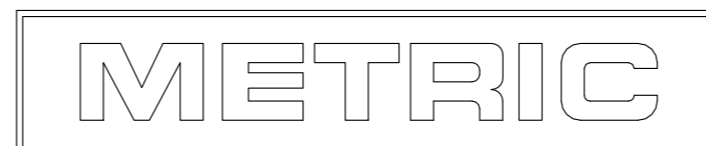
1. FITS SOCKET HOUSING 640518.
2. ASSEMBLY CONFORMS TO AMP SOLDERABILITY SPEC. 109-11-3.
3. FOR USE WITH .063 THICK P.C. BOARD.
4. CONTACT IS PLATED OVERALL WITH .000050 NICKEL, THEN .000030 GOLD OVER CONTACT LENGTH INDICATED AND .000150 MATTE TIN-LEAD ON SOLDER TAIL END.
5. UL AND CSA LOGO LOCATED ON THIS SURFACE.
6. FOR USE WITH .120 THICK P.C. BOARD.
7. FOR USE WITH .093 THICK P.C. BOARD.
8. CONTACT IS PLATED OVERALL WITH .000050 NICKEL, THEN .000030 GOLD OVER CONTACT LENGTH INDICATED AND .000150 MATTE TIN ON SOLDER TAIL END.
9. OBSOLETE PARTS: OBSOLETE CIS STREAMLINING PER D.RENAUD/D.SINIS
10. HOUSING MATERIAL: PA66, BLACK, UL 94 V-0 RATED  
CONTACT MATERIAL: PHOSPHOR BRONZE



RECOMMENDED P.C. BOARD LAYOUT

.020	0.51	.165	4.19	-	-
.015	0.38	.150	3.81	-	-
.010	0.25	.110	2.79	.620	15.75
.008	0.20	.063	1.60	.530	13.46
.005	0.13	.055	1.40	.290	7.37
.003	0.08	.043	1.09	.220	5.59
.000050	0.00127	.037	0.94	.210	5.33
.000030	0.00076	.030	0.76	.180	4.57
IN	MM	IN	MM	IN	MM

CONVERSION TABLE



THIS DRAWING IS A CONTROLLED DOCUMENT.

DIMENSIONS:	TOLERANCES UNLESS OTHERWISE SPECIFIED:
INCHES	
0 PLC	± -
1 PLC	± -
2 PLC	± -
3 PLC	± .005
4 PLC	± -
ANGLES	± 0°30'
MATERIAL	FINISH
	SEE TABLE

DWN	J. HUFFMAN	27APR98
CHK	R. SWING	27APR98
APVD	T. BEDDICK	27APR98
PRODUCT SPEC		
APPLICATION SPEC		
WEIGHT		
CUSTOMER DRAWING		

NAME			
HEADER ASSEMBLY, PIN, 3 POSITION, MR.			
SIZE	CAGE CODE	DRAWING NO	RESTRICTED TO
A2	00779	C=640498	-
SCALE	SHEET	REV	
4:1	1 of 1	S	

单击下面可查看定价，库存，交付和生命周期等信息

[>>TE Connectivity\(泰科\)](#)