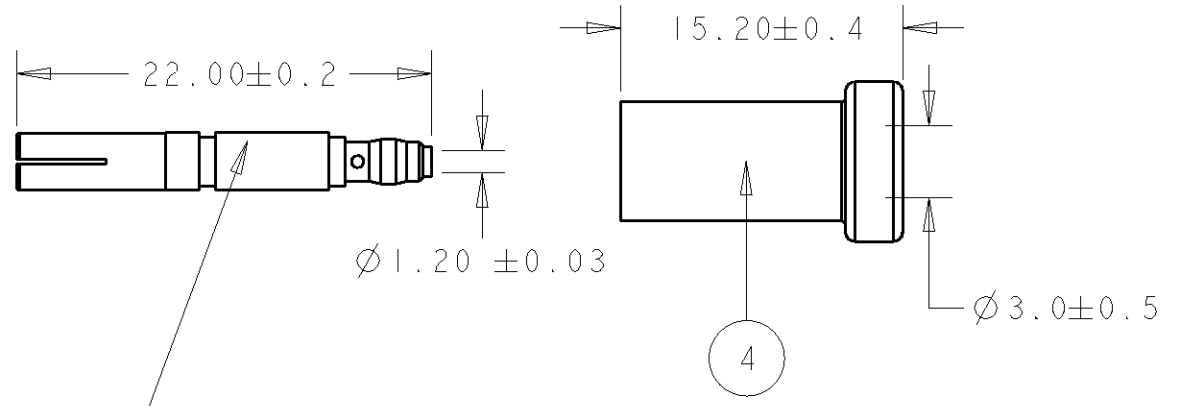
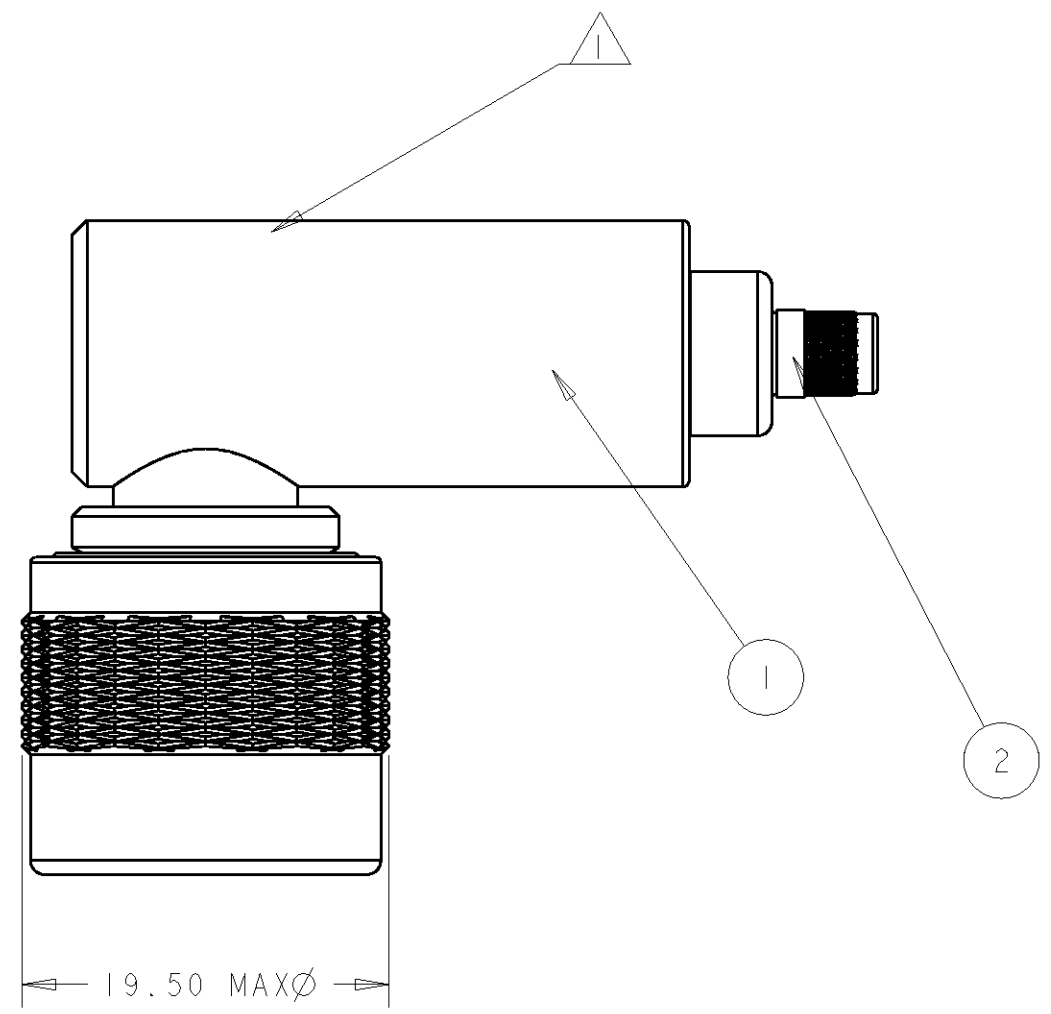
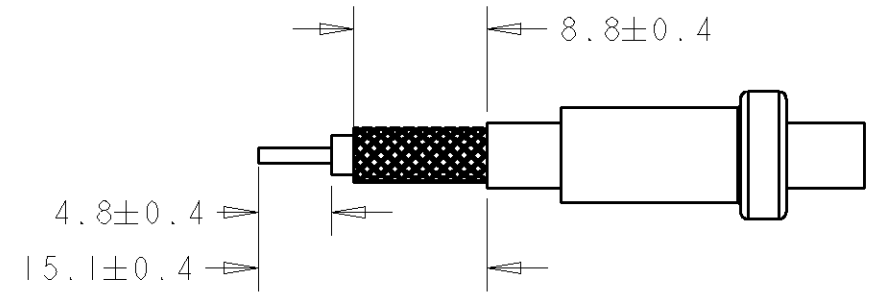


THIS DRAWING IS UNPUBLISHED. RELEASED FOR PUBLICATION 20  
 © COPYRIGHT 20 BY TYCO ELECTRONICS CORPORATION. ALL RIGHTS RESERVED.

LOC	DIST	REVISIONS					
		P	LTR	DESCRIPTION	DATE	DWN	APVD
B	E		A	ECR-08-007302	20/03/08	MJG	JA



RECOMMENDED CABLE PREPARATION



- NOTES:
- 1 PART NO "134300-1 & DATE CODE ON INDICATED SURFACE
  - 2. FOR USE ON CABLE FILECA F1703/4
  - 3. CRIMP WITH HAND TOOL 220045-2
  - 4. PRODUCT WEIGHT APPROX 57g

ITEM	DESCRIPTION	PART NO	QUANTITY
4	FERRULE ASSY	134002-1	1
3	CONTACT ASSY	132411-2	1
2	SEAL	225592-1	1
1	COAX ASSY RIGHT ANGLE	1838880-1	1
		132391	-1

<small>THIS DRAWING IS A CONTROLLED DOCUMENT FOR TYCO ELECTRONICS CORPORATION IT IS SUBJECT TO CHANGE AND THE CONTROLLING ENGINEERING ORGANIZATION SHOULD BE CONTACTED FOR THE LATEST REVISION.</small>		DWN M.GREENER 11FEB2008 CHK J.AMBROSE 11FEB2008 APVD J.AMBROSE 11FEB2008		<b>Tyco Electronics</b> Tyco Electronics UK Ltd. Bideford, North Devon, EX39 4HE	
DIMENSIONS: mm 		TOLERANCES UNLESS OTHERWISE SPECIFIED: 0 PLC ±- 1 PLC ±0.4 2 PLC ±0.4 3 PLC ±0.4 4 PLC ±- ANGLES ±0.5		NAME RIGHT ANGLE PLUG WEATHERPROOF SERIES C. 50Ω FILECA F1703/4	
MATERIAL		FINISH -		PRODUCT SPEC 108-12005 APPLICATION SPEC - WEIGHT 57g	
CUSTOMER DRAWING				SIZE A3 CAGE CODE 00779 DRAWING NO C-134300	RESTRICTED TO - SCALE 2:1 SHEET 1 OF 1 REV A

单击下面可查看定价，库存，交付和生命周期等信息

[>>TE Connectivity\(泰科\)](#)