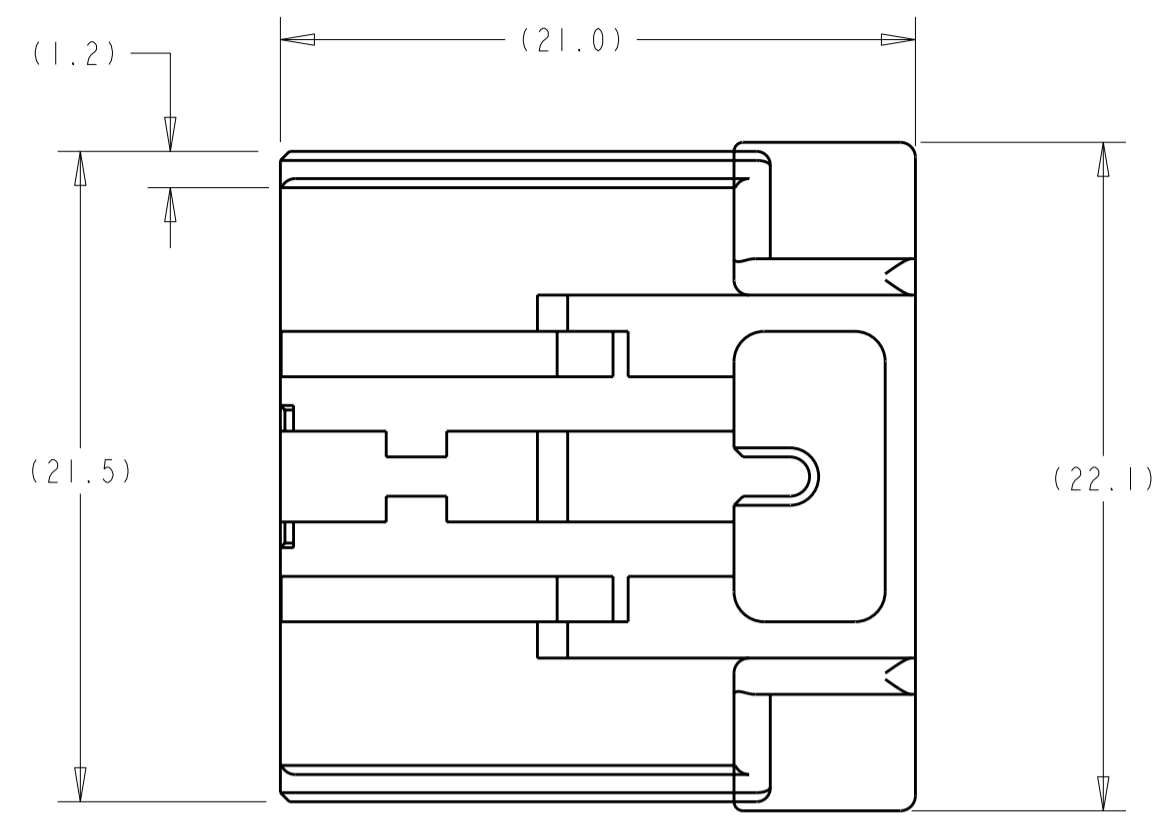
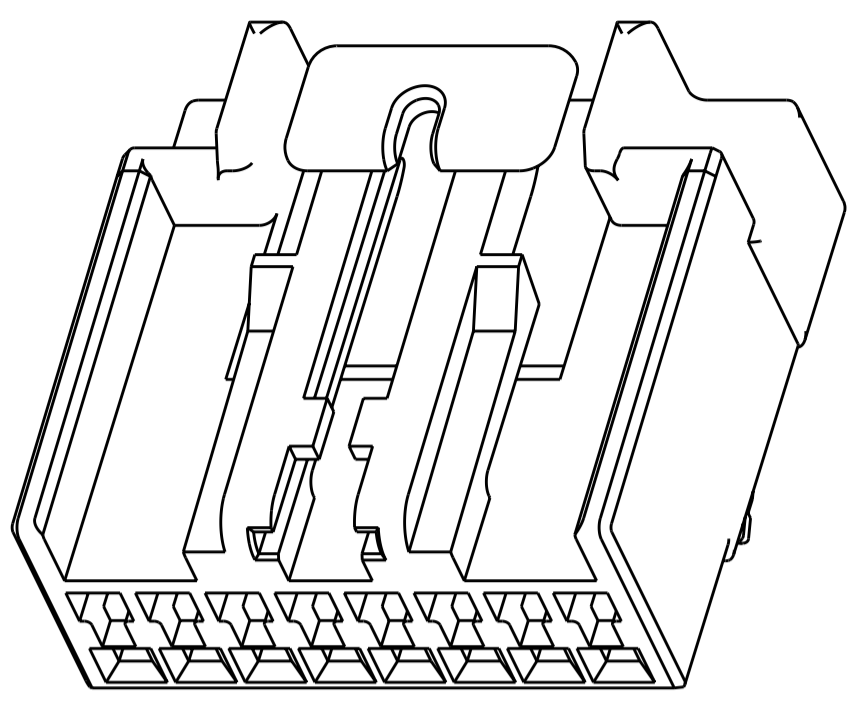
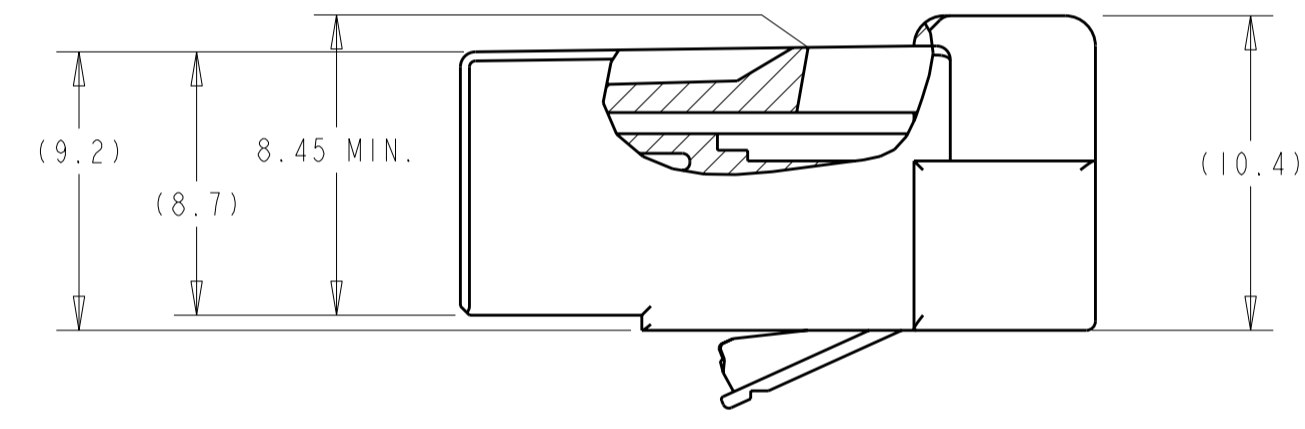
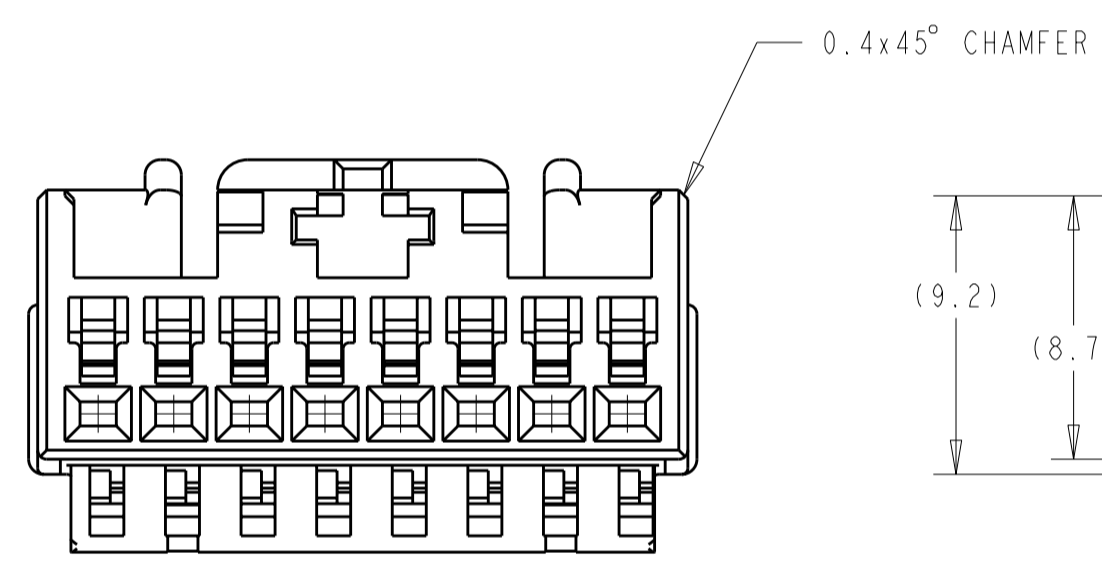


THIS DRAWING IS UNPUBLISHED. RELEASED FOR PUBLICATION 20
 © COPYRIGHT 20 BY TYCO ELECTRONICS CORPORATION. ALL RIGHTS RESERVED.

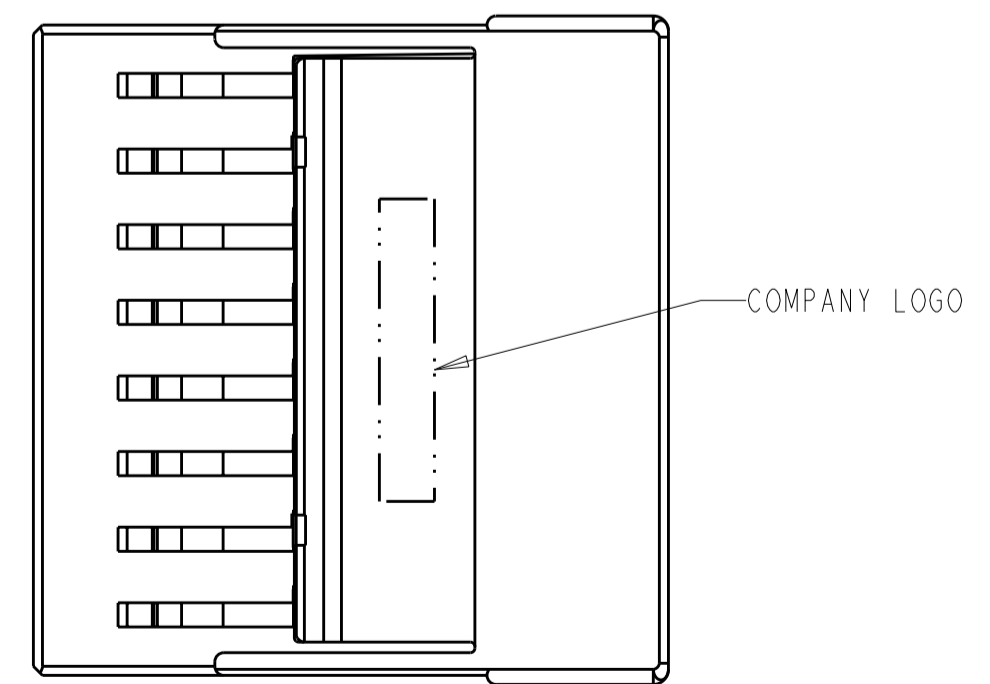
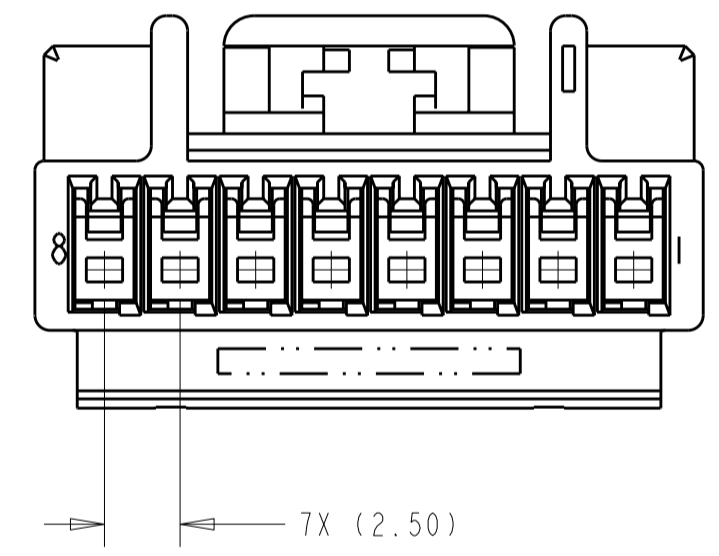
LOC	DIST	REVISIONS			
P	LTR	DESCRIPTION	DATE	DWN	APVD
		I PRELIMINARY	02NOV2004	RGV	SSA
		A RELEASED PER ECR 05-007332	22JUL2005	DL D	SSA
		AI REV PER ECR-10-008554	21APR2010	VSS	SA



1. APPLICABLE FEMALE TERMINAL PART NUMBERS: 175265 TIN PLATING
175266 GOLD PLATING
2. MATING PCB CAP ASSEMBLY PART NUMBER: 9-1438855-2.
3. TERMINAL INSTRUCTION 408-8652 APPLIES.



SECTION AA-AA



NATURAL	1438856-1
COLOR	PART NUMBER

THIS DRAWING IS A CONTROLLED DOCUMENT FOR TYCO ELECTRONICS CORPORATION. IT IS SUBJECT TO CHANGE AND THE CONTROLLING ENGINEERING ORGANIZATION SHOULD BE CONTACTED FOR THE LATEST REVISION.		DWN	R. VESTAL	02NOV2004	Tyco Electronics Harrisburg, PA 17105-3608
DIMENSIONS:		CHK	S. ASHLEY	02NOV2004	
mm		APVD	S. ASHLEY	02NOV2004	
		PRODUCT SPEC		NAME	
TOLERANCES UNLESS OTHERWISE SPECIFIED:		APPLICATION SPEC		108-5244	8 POSITION PLUG HOUSING, SIDE LOCK, SPECIAL KEY, .040 II SERIES MULTI-LOCK
0 PLC ±- 1 PLC ±0.3 2 PLC ±- 3 PLC ±- 4 PLC ±- ANGLES ±° FINISH		APVD		114-5159	
MATERIAL		WEIGHT		2.32g	SIZE
PBT		CUSTOMER DRAWING		A2 00779 C-1438856	
		SCALE		4:1	SHEET
					OF
					REV
					A1

WAS USAUT0000-0416-0013-2

1438856

单击下面可查看定价，库存，交付和生命周期等信息

[>>TE Connectivity\(泰科\)](#)