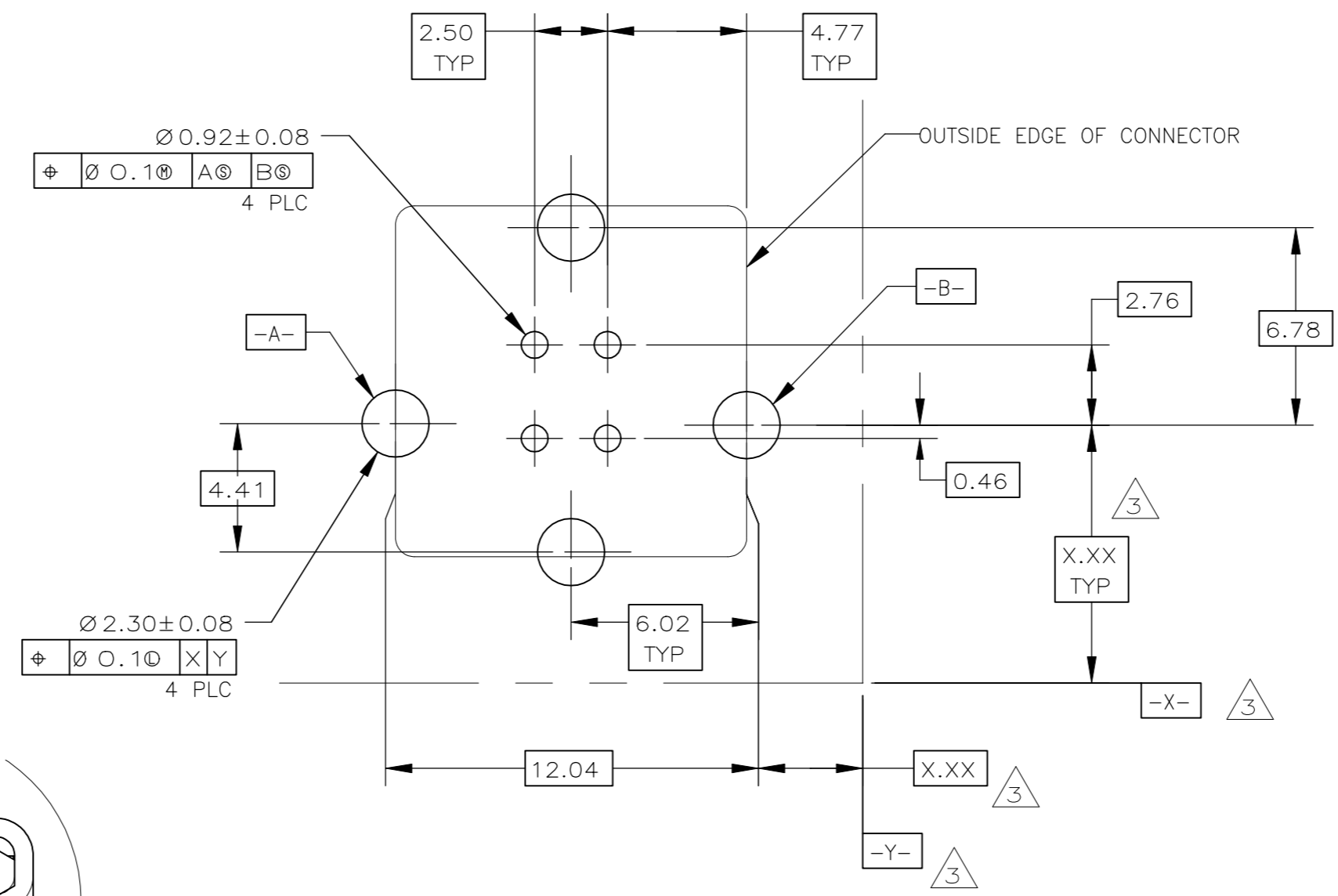
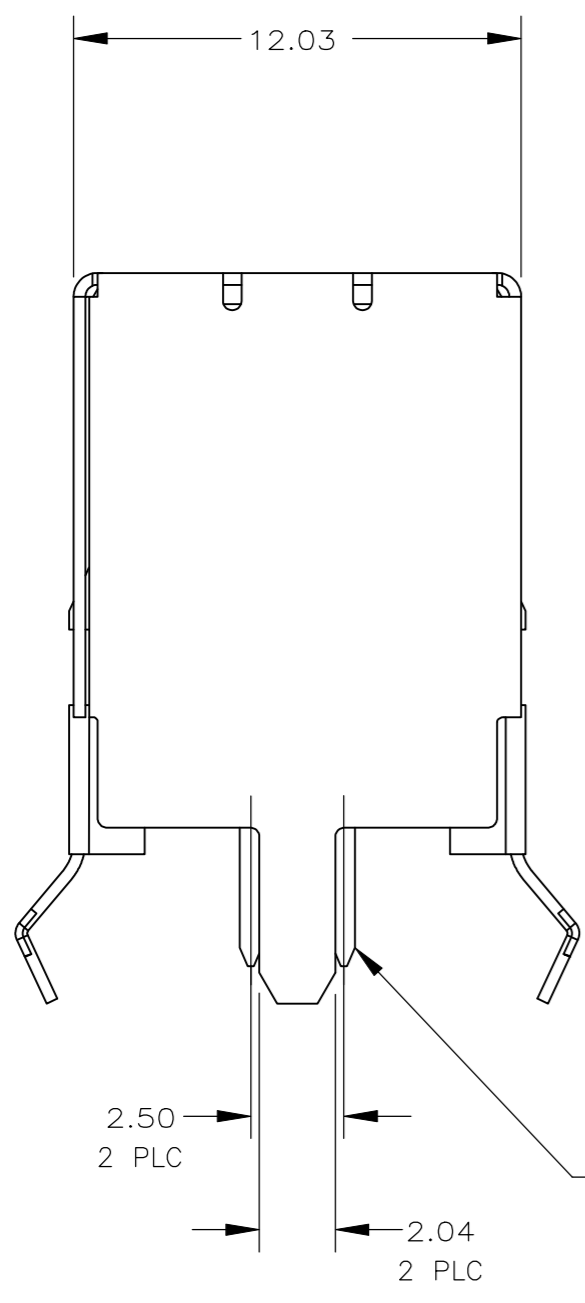
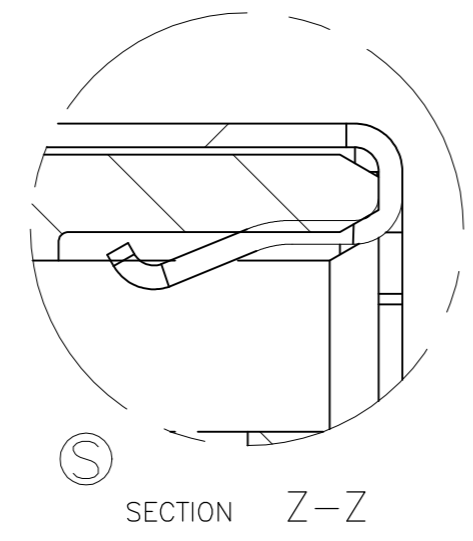
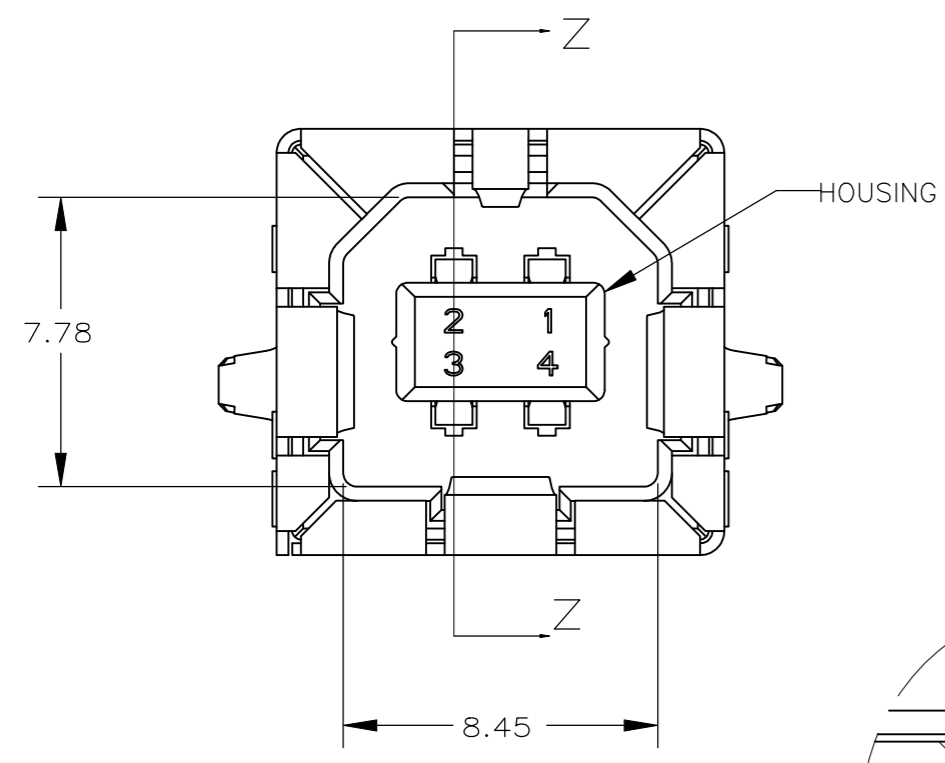


THIS DRAWING IS UNPUBLISHED. RELEASED FOR PUBLICATION - . - .
 © COPYRIGHT - 19 By - ALL RIGHTS RESERVED.

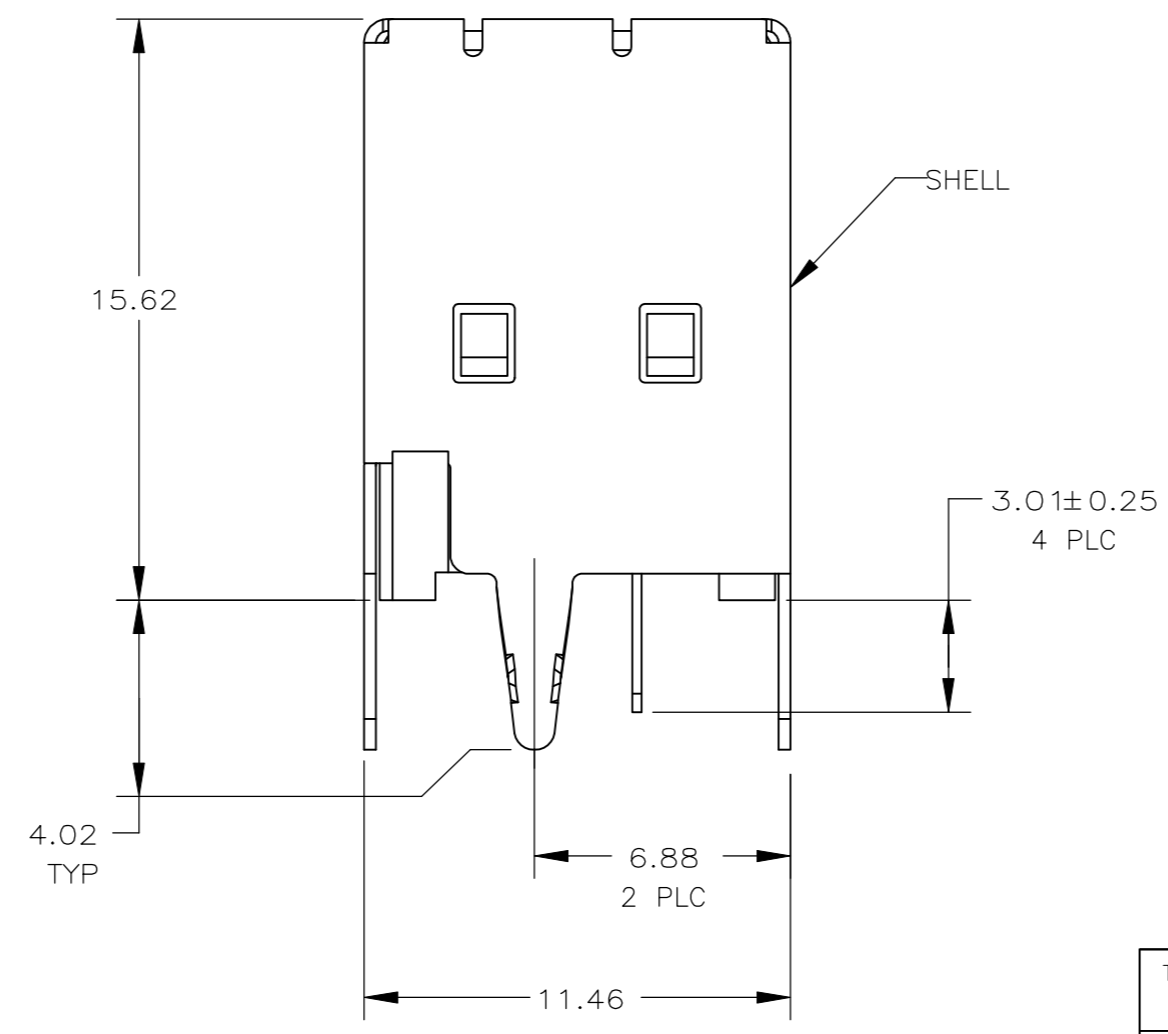
LOC		DIST		REVISIONS			
ES	00	P	LTR	DESCRIPTION	DATE	DWN	APVD
		S		REVISED PER ECR-18-008215	26MAR11	T.Z	S.L



PC BOARD MOUNTING DIMENSIONS 4

LEAD FREE

- 1 SHELL & CONTACTS - PHOSPHOR BRONZE. HOUSING - POLYESTER, UL 94V-0 RATED, BLACK.
- 2 CONTACTS - 0.076µm MINIMUM GOLD OVER 0.76µm MINIMUM PALLADIUM-NICKEL ON MATING AREA, 3.8µm MINIMUM TIN ON SOLDER TAILS, BOTH OVER 1.27µm MINIMUM NICKEL. CONTACT ALTERNATE PLATING: 0.76µm MINIMUM GOLD ON MATING AREA, 3.80µm MINIMUM TIN ON SOLDER TAILS, BOTH OVER 1.27µm MINIMUM NICKEL. SHELL - 2~5µm TIN.
- 3 DATUM AND BASIC DIMENSIONS ESTABLISHED BY CUSTOMER.
- 4 RECOMMENDED PC BOARD THICKNESS OF 1.57.
- 5 CONTACTS - 0.38µm MINIMUM GOLD ON MATING AREA, 3.8µm MINIMUM TIN ON SOLDER TAILS, BOTH OVER 1.27µm MINIMUM NICKEL. SHELL - 2~5µm TIN.



5	5788336-2
2	5788336-1
FINISH	PART NO.

THIS DRAWING IS A CONTROLLED DOCUMENT.		DWN	LEO ZHOU	05NOV04	 TE Connectivity		
DIMENSIONS:		CHK	STEVEN YAO	05NOV04			
TOLERANCES UNLESS OTHERWISE SPECIFIED:		APVD	IENOMOTO	05NOV04			
mm		NAME		PRODUCT SPEC			
0 PLC ± - 1 PLC ± - 2 PLC ± - 3 PLC ± - 4 PLC ± - ANGLES ± -		APPLICATION SPEC		RECEPTACLE ASSY, 4 POSN, VERTICAL, THRU-HOLE, TYPE B, UNIVERSAL SERIAL BUS			
MATERIAL		WEIGHT		SIZE	CAGE CODE	DRAWING NO	RESTRICTED TO
1		-		A2	00779	C-5788336	-
FINISH		-		CUSTOMER DRAWING		SCALE	SHEET
				5:1		1 of 1	
						REV S	

单击下面可查看定价，库存，交付和生命周期等信息

[>>TE Connectivity\(泰科\)](#)