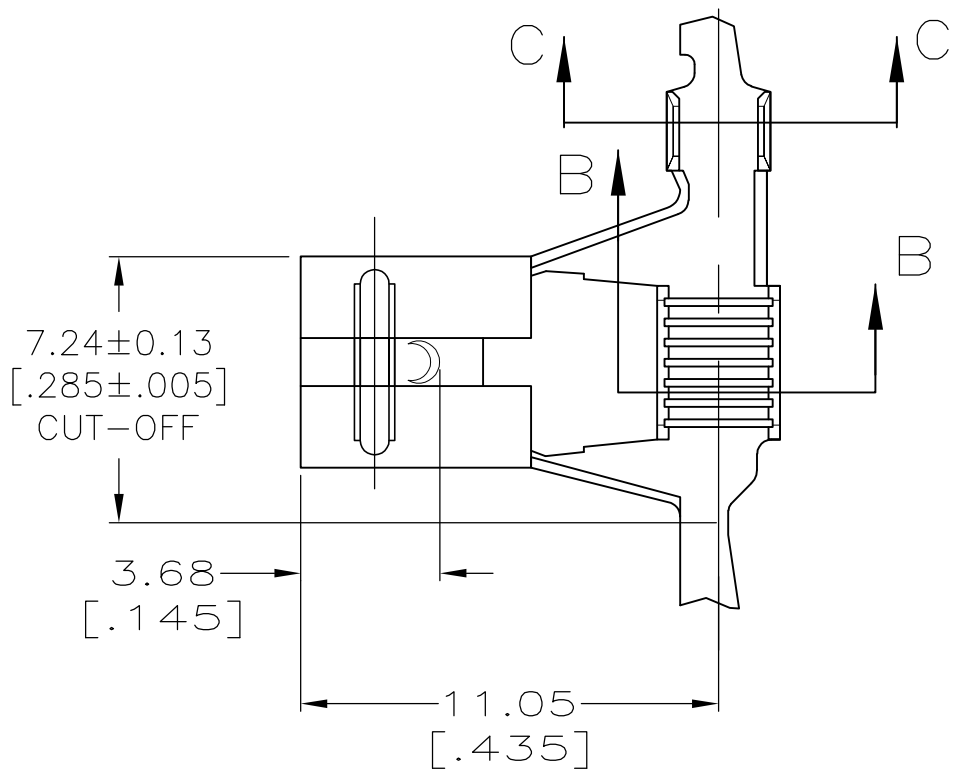
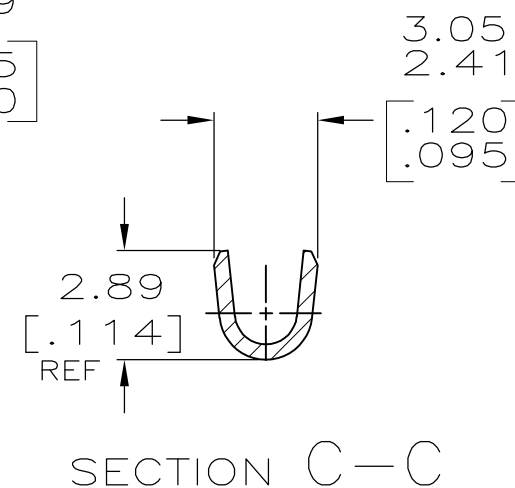
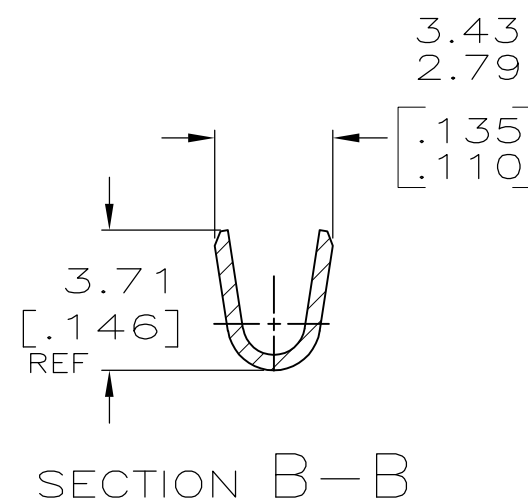
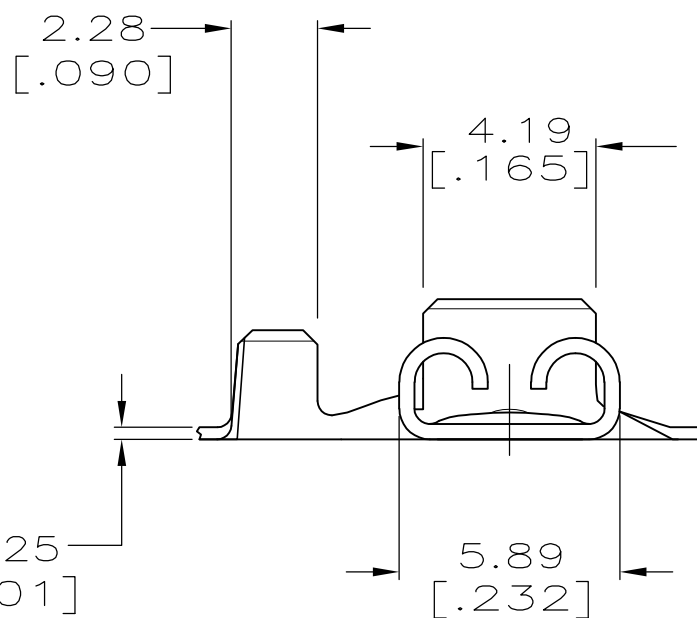
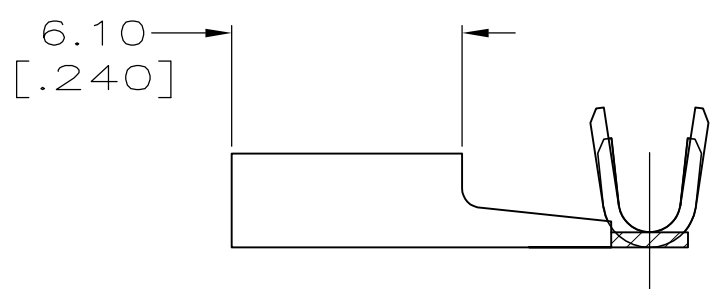


THIS DRAWING IS UNPUBLISHED. RELEASED FOR PUBLICATION
 © COPYRIGHT - By TYCO ELECTRONICS CORPORATION. ALL RIGHTS RESERVED.

LOC	DIST	REVISIONS			
P	LTR	DESCRIPTION	DATE	DWN	APVD
AF	50				
	E	REVISE PER ECR-13-013738	15FEB2014	GRZ	JL



- 1 CONTINUOUS STRIP ON REELS.
- 2 ACCEPTS MAGNET WIRE RANGES 2000-4050 CMA.
- 3 MATING TAB THK TO BE 0.81±0.025 [.032±.001].
- △ 4 0.002032 [.000080] MIN TIN



1217417-1
PART NO.

THIS DRAWING IS A CONTROLLED DOCUMENT.		DWN	JR RUTH	18MAY00	TE Connectivity RECEPTACLE, FASTON, FLAG, AMPLIVAR, 4.75 [.187] SERIES	NAME		RESTRICTED TO		
DIMENSIONS: mm		CHK	MS FEHER	18MAY00		PRODUCT SPEC			SIZE	
TOLERANCES UNLESS OTHERWISE SPECIFIED:		APVD	P DESANTIS	18MAY00		APPLICATION SPEC				CAGE CODE
0 PLC ± -						DRAWING NO				
1 PLC ± -							A300779			
2 PLC ± 0.25 [.010]								C-1217417		
3 PLC ± -									SCALE	
4 PLC ± -						5:1				
ANGLES ± -							SHEET			
FINISH								1 OF 1		
MATERIAL									REV	
BRASS						E				
							CUSTOMER DRAWING			

单击下面可查看定价，库存，交付和生命周期等信息

[>>TE Connectivity\(泰科\)](#)