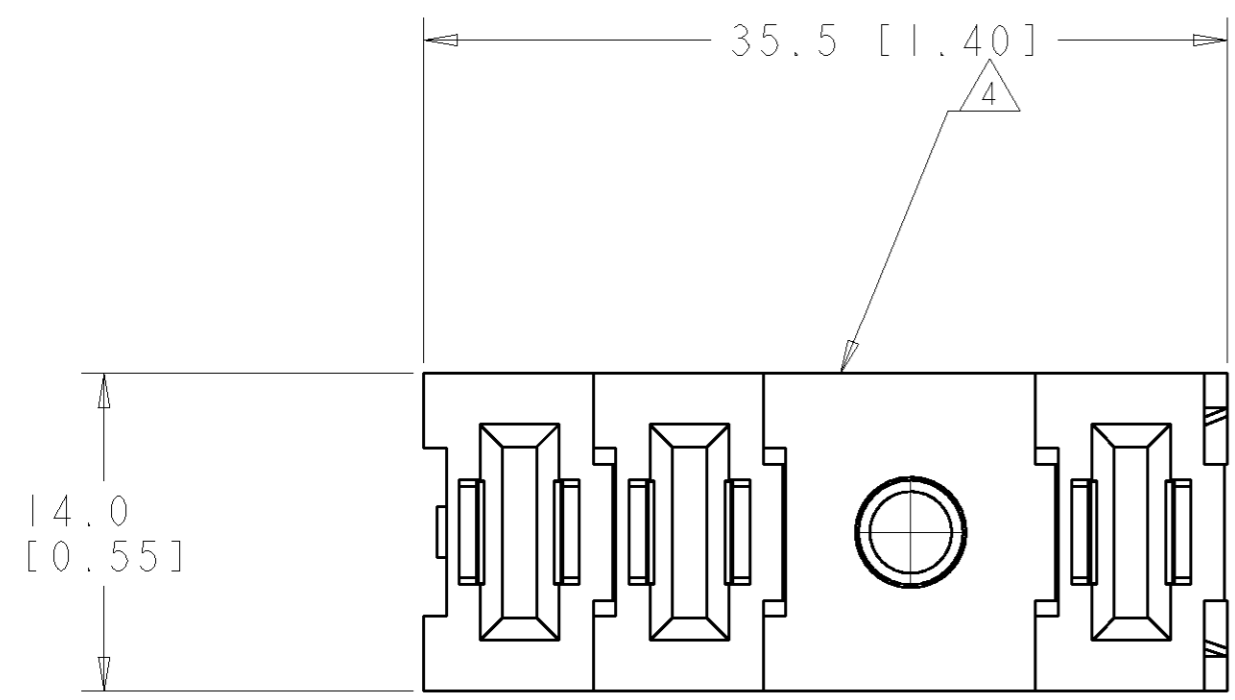


THIS DRAWING IS UNPUBLISHED. RELEASED FOR PUBLICATION 20
 © COPYRIGHT 20 BY TYCO ELECTRONICS CORPORATION. ALL RIGHTS RESERVED.

LOC	DIST	REVISIONS					
GP	00	P	LTR	DESCRIPTION	DATE	DWN	APVD
			A	RELEASED	26FEB2007	RG	SF



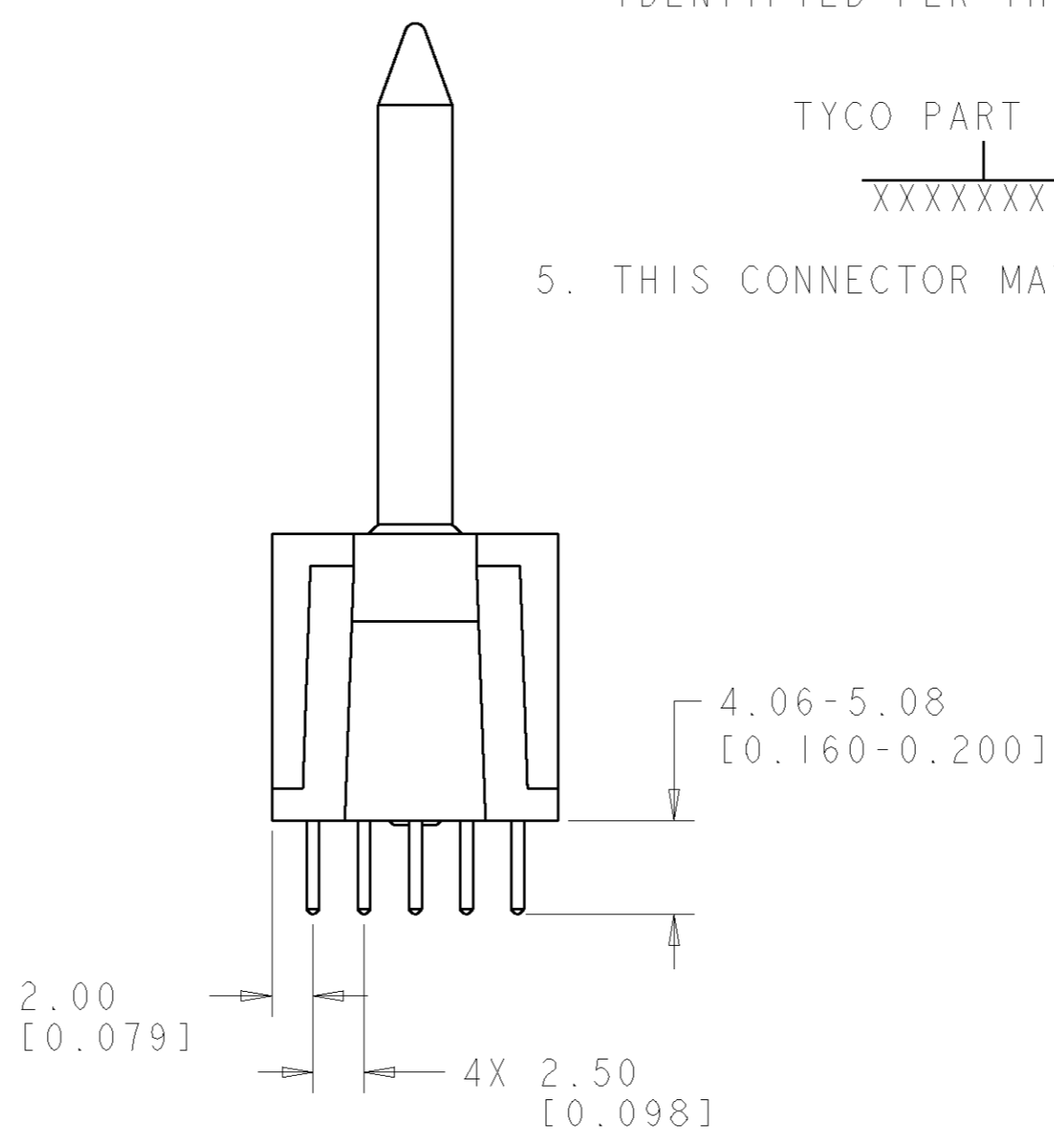
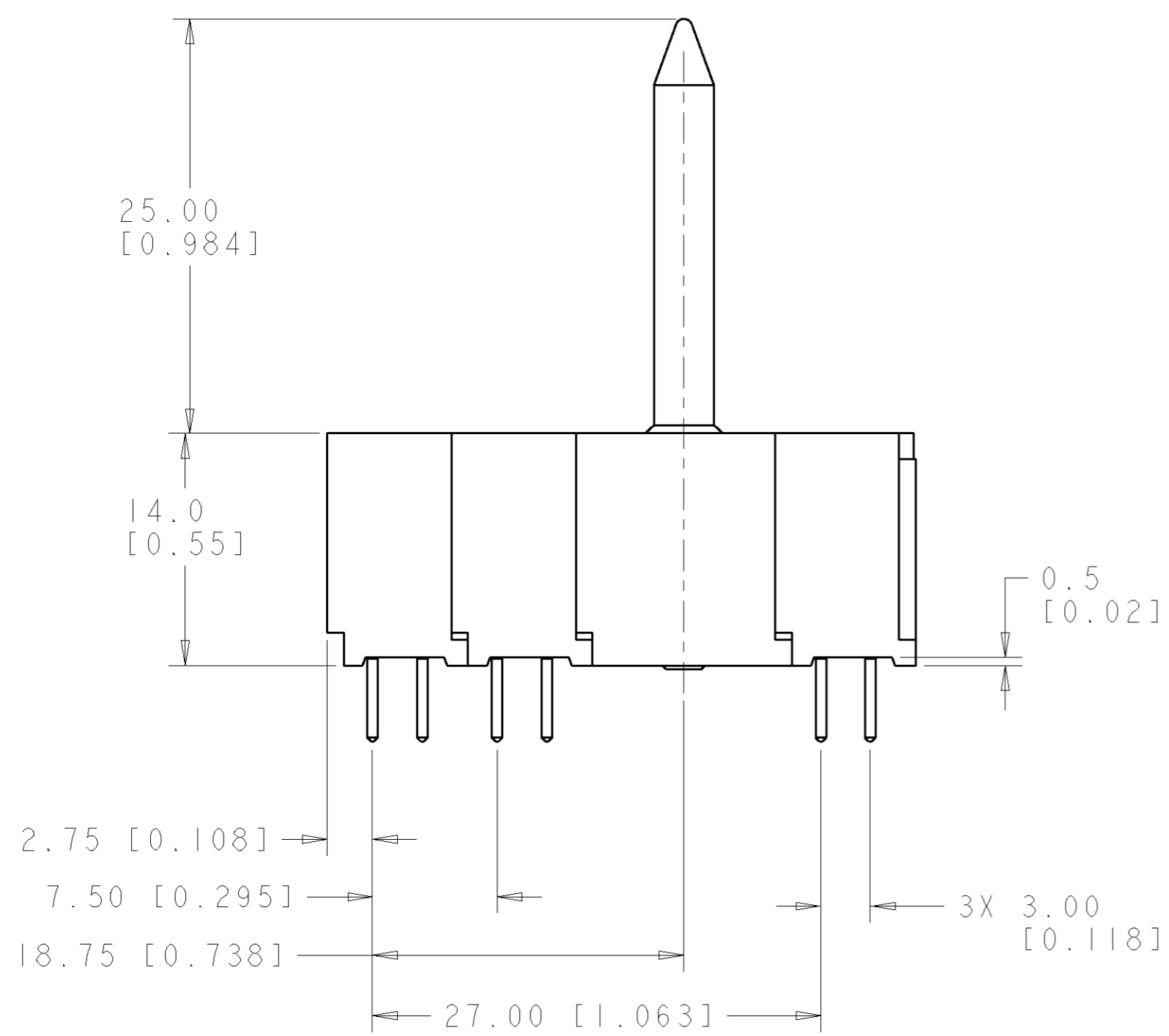
- PART NUMBER CHANGES AND OR DESIGN CHANGES AFFECTING ITEM INTERCHANGEABILITY REQUIRE PRIOR TYCO APPROVAL AND AUTHORIZATION BY REVISION TO THIS DRAWING.
- MATERIAL:
 - INSULATORS - THERMOPLASTIC, GLASS REINFORCED, COLOR: BLACK UL94V-0 FLAMMABILITY RATED.
 - POWER CONTACTS - PHOSPHOR BRONZE ALLOY, COPPER ALLOY
 - CROWN BANDS - BERYLLIUM COPPER ALLOY
 - GUIDE PIN - BRASS COPPER ALLOY
- FINISH:
 - CONTACTS - GOLD PLATE .76µm MIN. THK., OVER NICKEL, 1.27µm MIN. THK
 - SOLDER TAILS TIN 2.54µm MIN. THK. OVER NICKEL 1.27µm MIN THK.
 - GUIDE PIN - NICKEL PLATE 1.27µm MIN THK.

△ ITEMS PROVIDED TO THIS SPECIFICATION TO BE PERMANENTLY IDENTIFIED PER THE FOLLOWING IDENTIFIER LABEL

YEAR | WEEK

TYCO PART NO. DATE CODE (e.g. 0106)

XXXXXXXX-X XXXX



5. THIS CONNECTOR MATES WITH PN 6646366-1 OR PN 6651843-1.

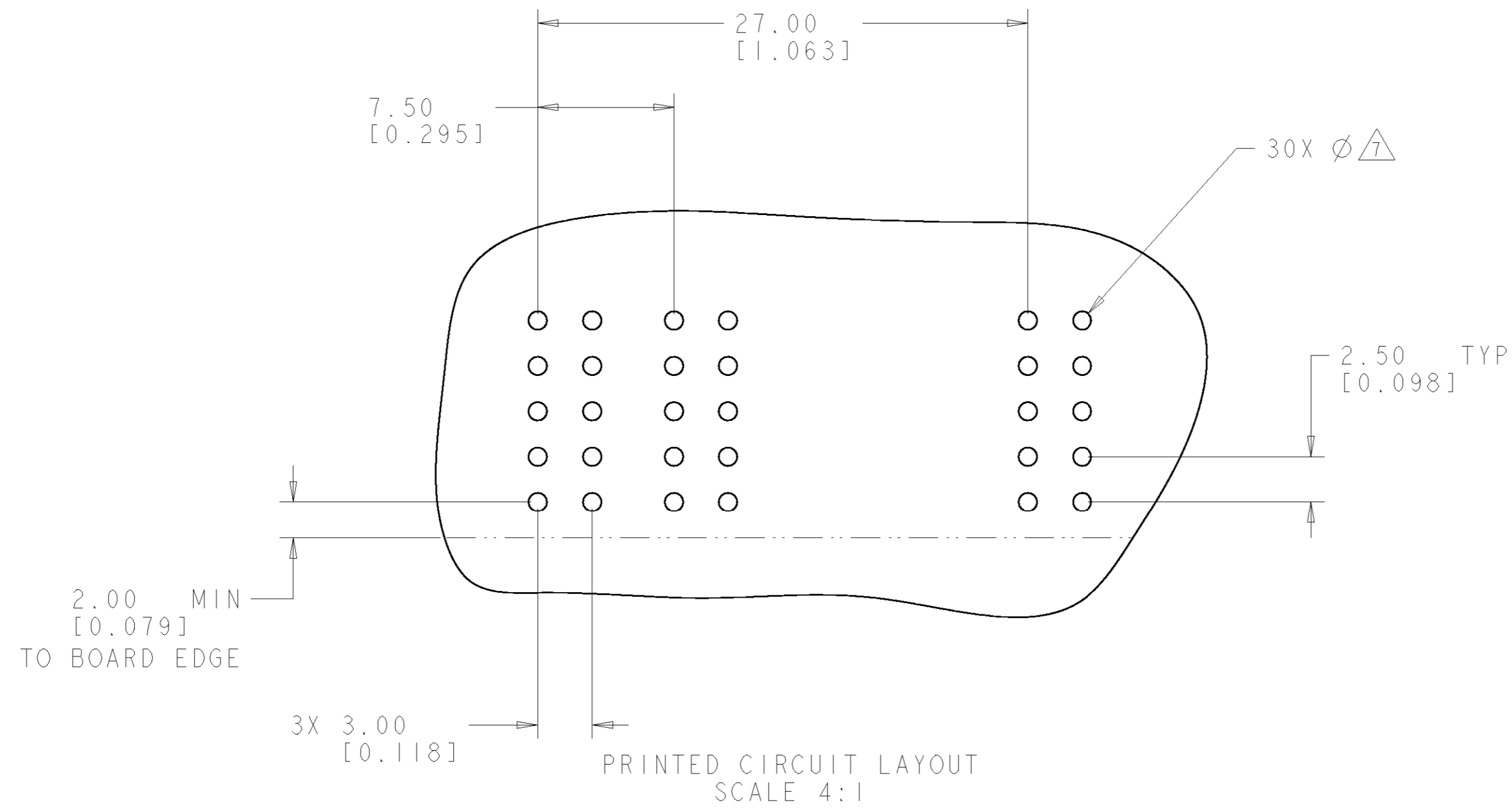
AS SHOWN	6646367-1
DESCRIPTION	PART NUMBER

THIS DRAWING IS A CONTROLLED DOCUMENT FOR TYCO ELECTRONICS CORPORATION. IT IS SUBJECT TO CHANGE AND THE CONTROLLING ENGINEERING ORGANIZATION SHOULD BE CONTACTED FOR THE LATEST REVISION.		DWN R. GRZYBOWSKI 26FEB07	Tyco Electronics Harrisburg, PA 17105-3608	NAME	SOCKET CONNECTOR, FLATPAQ STRAIGHT SOLDER TAILS
DIMENSIONS: mm [INCHES]		CHK S. FLICKINGER 26FEB07		PRODUCT SPEC	-
TOLERANCES UNLESS OTHERWISE SPECIFIED:		APVD S. FLICKINGER 26FEB07		APPLICATION SPEC	-
0 PLC ±.5 [.020] 1 PLC ±.25 [.010] 2 PLC ±.25 [.010] 3 PLC ±.25 [.010] 4 PLC ±.25 [.010] ANGLES ±.5		MATERIAL		WEIGHT	-
MATERIAL		CUSTOMER DRAWING		SIZE A2	CAGE CODE 00779
				DRAWING NO. 6646367	RESTRICTED TO -
				SCALE 4:1	SHEET 1 OF 3
				REV A	

ELCON FLATPAQ

THIS DRAWING IS UNPUBLISHED. RELEASED FOR PUBLICATION 20
 © COPYRIGHT 20 BY TYCO ELECTRONICS CORPORATION. ALL RIGHTS RESERVED.

LOC	DIST	REVISIONS					
GP	00	P	LTR	DESCRIPTION	DATE	DWN	APVD
		-		SEE SHEET 1	-	-	-



CONNECTOR	CATALOG MODULE #	QTY	SIZE NO.	CONTACT QTY	MATING PIN	MAX. CURRENT (PER CONTACT)	CONTACT SPACING	VOLTAGE RATING
SOCKET	FP100	3	8	6	1.25 X 7.00 [.049 X .276]	35 amps	7.50 [.2953]	250
	FP503	1	STRAIGHT GUIDE PIN					

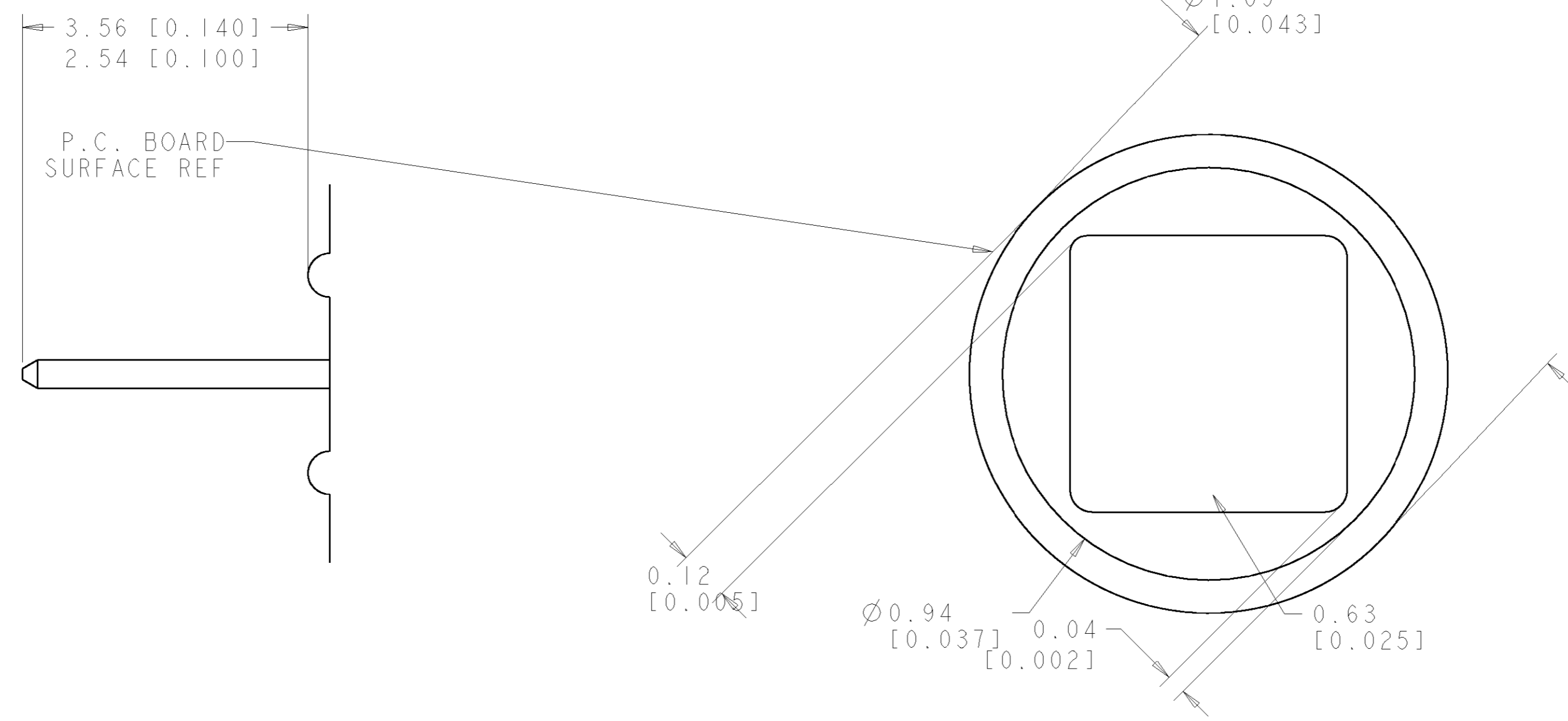
THIS DRAWING IS A CONTROLLED DOCUMENT FOR TYCO ELECTRONICS CORPORATION. IT IS SUBJECT TO CHANGE AND THE CONTROLLING ENGINEERING ORGANIZATION SHOULD BE CONTACTED FOR THE LATEST REVISION.

DWN	R. GRZYBOWSKI	26FEB07	Tyco Electronics Harrisburg, PA 17105-3608			
CHK	S. FLICKINGER	26FEB07				
APVD	S. FLICKINGER	26FEB07				
NAME	SOCKET CONNECTOR, FLATPAQ STRAIGHT SOLDER TAILS					
DIMENSIONS:	TOLERANCES UNLESS OTHERWISE SPECIFIED:		SIZE	CAGE CODE	DRAWING NO.	RESTRICTED TO
mm [INCHES]	0 PLC ±.5 [.020] 1 PLC ±.25 [.010] 2 PLC ±.25 [.010] 3 PLC ±. 4 PLC ±. ANGLES ±.5 FINISH		A200779	C-6646367	-	-
MATERIAL	-		WEIGHT	-		CUSTOMER DRAWING
			SCALE	4:1	SHEET	2 OF 3
			REV	A		

ELCON **FLATPAQ**

THIS DRAWING IS UNPUBLISHED. RELEASED FOR PUBLICATION 20
 © COPYRIGHT 20 BY TYCO ELECTRONICS CORPORATION. ALL RIGHTS RESERVED.

LOC	DIST	REVISIONS			
P	LTR	DESCRIPTION	DATE	DWN	APVD
GP	00	-	SEE SHEET 1	-	-



6. SOLDER TAIL DETAIL
SCALE 10 : 1

△ SOLDER TERMINATION AREA
 SCALE 40:1
 RECOMMENDED PRINTED CIRCUIT HOLE
 SOLDER HOLE
 FINISHED HOLE: $\varnothing 1.02 [0.040] \pm .08 [0.003]$
 DRILLED HOLE: $\varnothing 1.15 [0.0453] \pm .013 [0.0005]$
 COPPER PLATE: .025 [0.0010] MIN
 TIN PLATE: .008 [0.0003] MIN. (PER SURFACE)

ELCON **FLATPAQ**

<small>THIS DRAWING IS A CONTROLLED DOCUMENT FOR TYCO ELECTRONICS CORPORATION IT IS SUBJECT TO CHANGE AND THE CONTROLLING ENGINEERING ORGANIZATION SHOULD BE CONTACTED FOR THE LATEST REVISION.</small>		DWN R.GRZYBOWSKI 26FEB07 CHK S.FLICKINGER 26FEB07 APVD S.FLICKINGER 26FEB07	tyco Tyco Electronics Electronics Harrisburg, PA 17105-3608
DIMENSIONS: mm [INCHES]	TOLERANCES UNLESS OTHERWISE SPECIFIED: 0 PLC ± .5 [0.020] 1 PLC ± .5 [0.020] 2 PLC ± .25 [0.010] 3 PLC ± .25 [0.010] 4 PLC ± .25 [0.010] ANGLES ± .5	NAME SOCKET CONNECTOR, FLATPAQ STRAIGHT SOLDER TAILS	SIZE CAGE CODE DRAWING NO RESTRICTED TO A200779 C-6646367 -
MATERIAL -	FINISH -	PRODUCT SPEC - APPLICATION SPEC - WEIGHT -	CUSTOMER DRAWING SCALE 4:1 SHEET 3 OF 3 REV A

单击下面可查看定价，库存，交付和生命周期等信息

[>>TE Connectivity\(泰科\)](#)