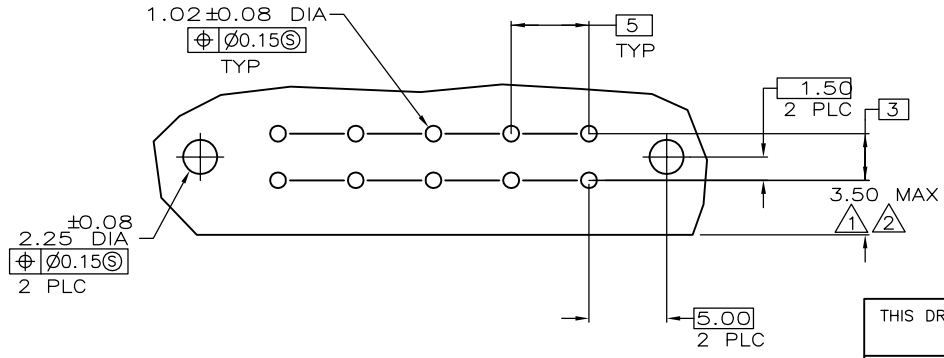
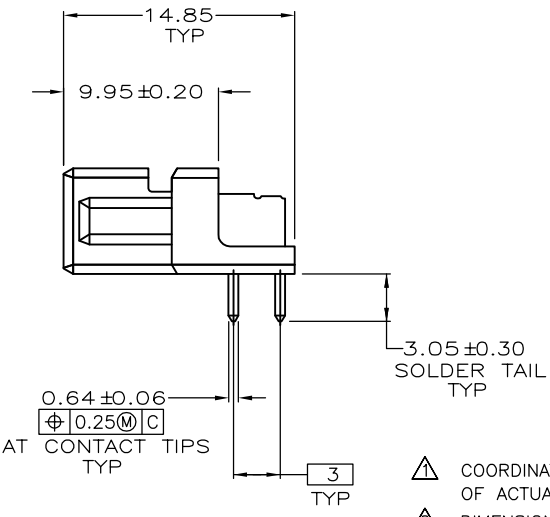
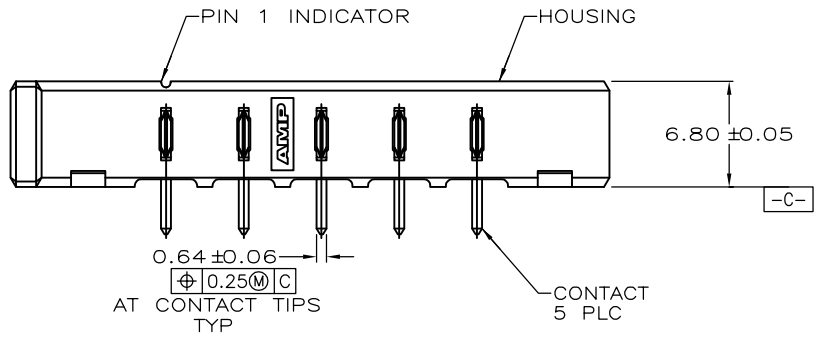
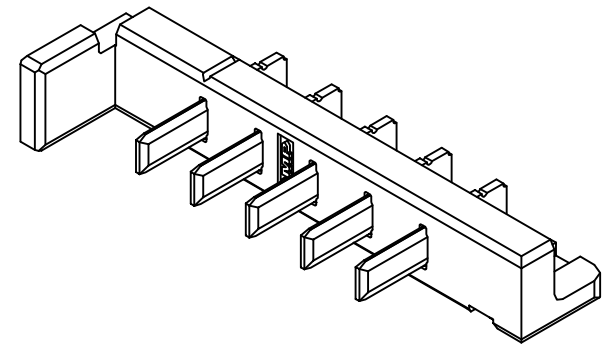
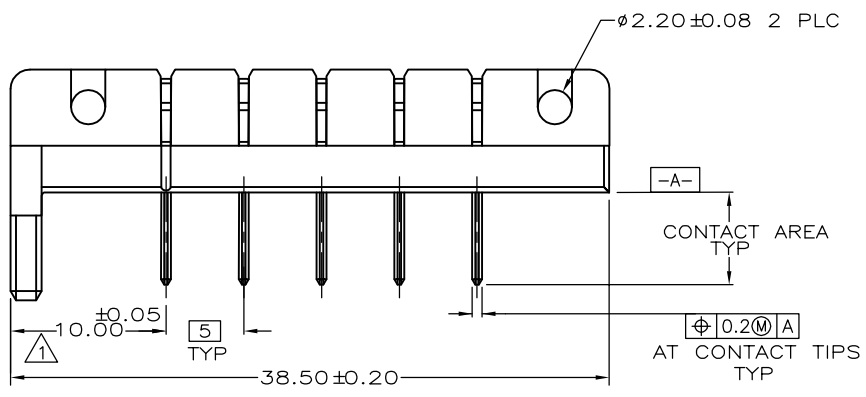


THIS DRAWING IS UNPUBLISHED. RELEASED FOR PUBLICATION
 © COPYRIGHT BY TYCO ELECTRONICS CORPORATION. ALL RIGHTS RESERVED.

LOC		DIST		REVISIONS					
ES		00		P	LTR	DESCRIPTION	DATE	DWN	APVD
				0	RELEASED	ECR-05-001438	25MAR05	J.Z	I.E



- Δ COORDINATE DIMENSION APPLIES FROM CENTER OF ACTUAL FEATURE.
- Δ DIMENSION CAN BE EXCEEDED FOR APPLICATIONS WHERE FINAL MATED POSITION OF PACK IS ABOVE TOP SURFACE OF PCB.
- Δ HOUSING: LCP, COLOR BLACK
- Δ CONTACTS: BRASS
- Δ CONTACTS: 2.54um MIN TIN ON SOLDER TAIL OVER 1.90um MIN NICKEL ALL OVER.

5787246-1

THIS DRAWING IS A CONTROLLED DOCUMENT.		DWN	G.DOUTY	06-07-94	tyco Electronics	Tyco Electronics Corporation Shanghai PRC			
DIMENSIONS: mm		CHK	S.KLINE	06-30-94		NAME HEADER ASSEMBLY, RIGHT ANGLE, LEFT VOLTAGE KEY, 10.8V, BATTERY INTERCONNECTS	SIZE	CAGE CODE	DRAWING NO
TOLERANCES UNLESS OTHERWISE SPECIFIED:		APVD	S.KLINE	06-30-94	PRODUCT SPEC		A3	00779	C-5787246
MATERIAL		FINISH		WEIGHT	APPLICATION SPEC	SCALE		SHEET	REV
Δ		Δ		-	-	3:1		1 OF 1	0
				CUSTOMER DRAWING					

单击下面可查看定价，库存，交付和生命周期等信息

[>>TE Connectivity\(泰科\)](#)