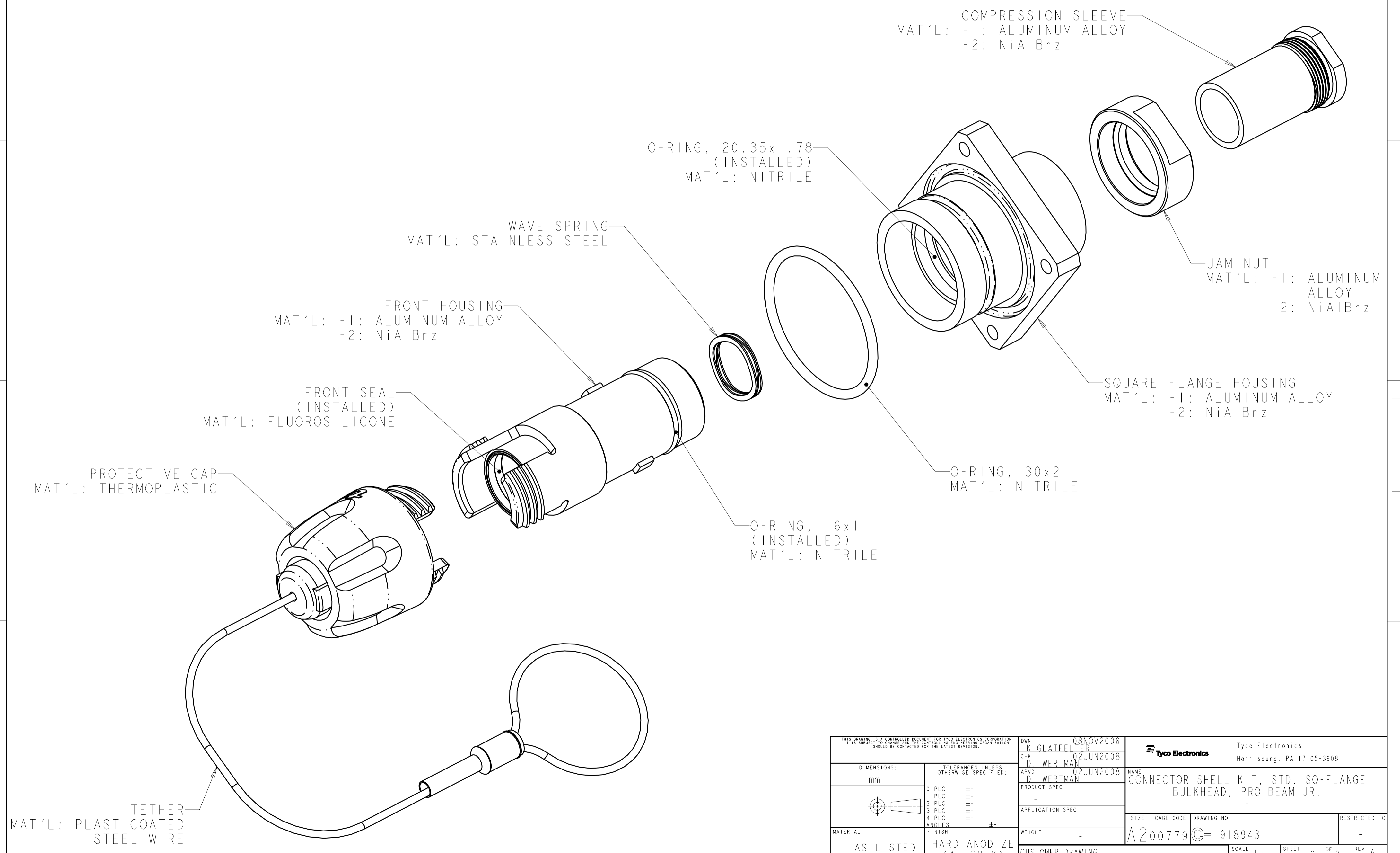


THIS DRAWING IS UNPUBLISHED. RELEASED FOR PUBLICATION 20
 © COPYRIGHT 20 BY TYCO ELECTRONICS CORPORATION. ALL RIGHTS RESERVED.

LOC	DIST	REVISIONS			
P	LTR	DESCRIPTION	DATE	DWN	APVD
CE	16	-	SEE SHEET 1	-	-

I. SHIPPED LOOSE PIECE AS SHOWN.



<small>THIS DRAWING IS A CONTROLLED DOCUMENT FOR TYCO ELECTRONICS CORPORATION. IT IS SUBJECT TO CHANGE AND THE CONTROLLING ENGINEERING ORGANIZATION SHOULD BE CONTACTED FOR THE LATEST REVISION.</small>		DWN: 08NOV2006 K. GLATFELTER CHK: 02JUN2008 D. WERTMAN APVD: 02JUN2008 D. WERTMAN	Tyco Electronics Harrisburg, PA 17105-3608
DIMENSIONS: mm 	TOLERANCES UNLESS OTHERWISE SPECIFIED: 0 PLC ± 1 PLC ± 2 PLC ± 3 PLC ± 4 PLC ± ANGLES ±	PRODUCT SPEC APPLICATION SPEC WEIGHT	NAME: CONNECTOR SHELL KIT, STD. SQ-FLANGE BULKHEAD, PRO BEAM JR. SIZE: A2 CAGE CODE: 00779 DRAWING NO: C-1918943 RESTRICTED TO:
MATERIAL: AS LISTED	FINISH: HARD ANODIZE (AI ONLY)	CUSTOMER DRAWING	SCALE: 1:1 SHEET: 2 OF 2 REV: A

单击下面可查看定价，库存，交付和生命周期等信息

[>>TE Connectivity\(泰科\)](#)