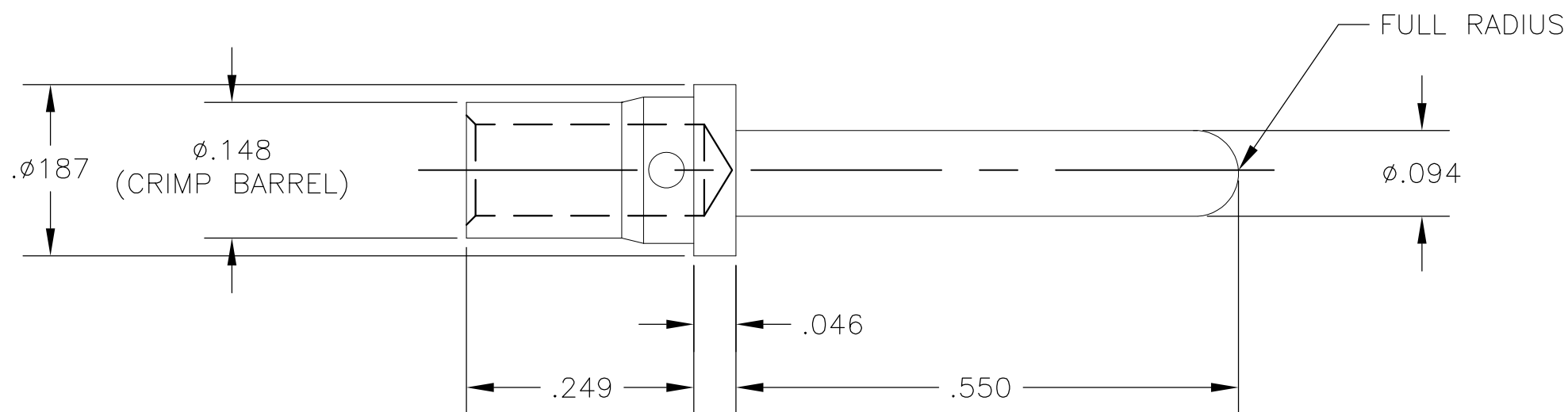


THIS DRAWING IS UNPUBLISHED. RELEASED FOR PUBLICATION  
 © COPYRIGHT - BY TYCO ELECTRONICS CORPORATION. ALL RIGHTS RESERVED.

LOC	DIST	REVISIONS					
GP	00	P	LTR	DESCRIPTION	DATE	DWN	APVD
			B	REV PER ECO-08-014775	25JUN08	RG	DO



5. REFERENCE ELCON SERIES 701-12-02107
4. FINISH: SILVER PLATED .000200 MIN THK.  
OVER NICKEL .000050 MIN THK.
3. MATERIAL: COPPER ALLOY
2. ITEMS PROVIDED TO THIS SPECIFICATION SHALL BE IDENTIFIED  
ON THE CONTAINER WITH THE FOLLOWING INFORMATION:  
PART NUMBER & DATE CODE OF MANUFACTURE.
1. PART NUMBER CHANGES AND/OR DESIGN CHANGES AFFECTING  
ITEM INTERCHANGEABILITY REQUIRE PRIOR TYCO ELECTRONICS APPROVAL  
AND AUTHORIZATION BY REVISION TO THIS DRAWING.

1766193-1  
PART NUMBER

THIS DRAWING IS A CONTROLLED DOCUMENT.		DWN	R.GRZYBOWSKI	31MAR06	Tyco Electronics Corporation Harrisburg, PA 17105-3608		
DIMENSIONS: INCHES		CHK	S.FLICKINGER	31MAR06			
		TOLERANCES UNLESS OTHERWISE SPECIFIED:		APVD	PIN CONTACT, SIZE #12 CRIMP, STANDARD, .43 PIN EXT.		
MATERIAL		FINISH		PRODUCT SPEC	RESTRICTED TO		
SEE NOTE 3		-		APPLICATION SPEC	SIZE	CAGE CODE	DRAWING NO
				WEIGHT	A3 00779		C-1766193
				CUSTOMER DRAWING		SCALE	6:1
						SHEET	1 OF 1
						REV	B

单击下面可查看定价，库存，交付和生命周期等信息

[>>TE Connectivity\(泰科\)](#)