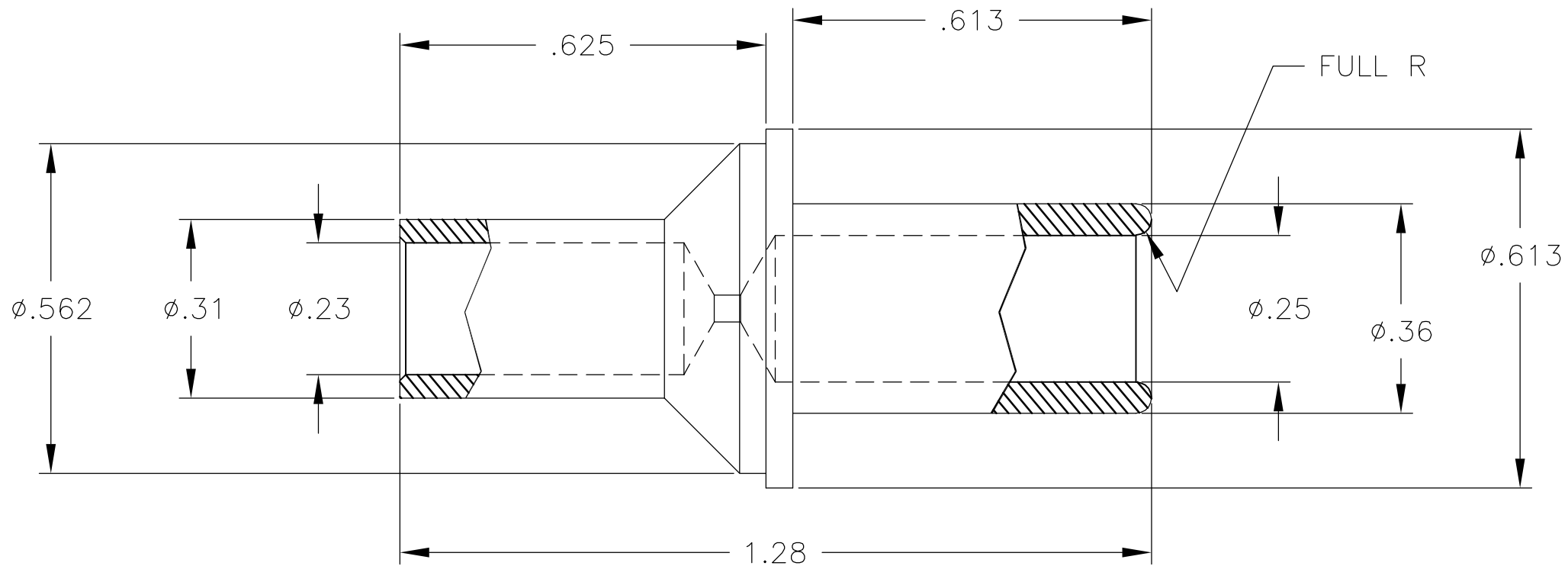


THIS DRAWING IS UNPUBLISHED. RELEASED FOR PUBLICATION
 © COPYRIGHT - BY TYCO ELECTRONICS CORPORATION. ALL RIGHTS RESERVED.

LOC	DIST	REVISIONS					
GP	00	P	LTR	DESCRIPTION	DATE	DWN	APVD
			A	RELEASED	18OCT06	RG	SF



- PART NUMBER CHANGES AND OR DESIGN CHANGES AFFECTING ITEM INTERCHANGEABILITY REQUIRES PRIOR TYCO APPROVAL AND AUTHORIZATION BY REVISION TO THIS DRAWING.
- ITEMS PROVIDED TO THIS SPECIFICATION SHALL BE IDENTIFIED ON THE SHIPPING PACKAGE AS FOLLOWS: PART NUMBER AND DATE CODE.

3 MATERIAL:
COPPER ALLOY

4 FINISH:
SILVER PLATED 0.0002" MIN THK. OVER NICKEL .000040" MIN THK.

5. THIS No.0 PIN MATES W/ PROBE PROOF No.0 SOCKET.

AS SHOWN	1766190-1
DESCRIPTION	PART NUMBER

THIS DRAWING IS A CONTROLLED DOCUMENT.		DWN	R.GRZYBOWSKI	18OCT06	Tyco Electronics Corporation Harrisburg, PA 17105-3608		
DIMENSIONS: INCHES		CHK	S.FLICKINGER	18OCT06			
TOLERANCES UNLESS OTHERWISE SPECIFIED:		APVD	S.FLICKINGER	18OCT06	NAME		
0 PLC	± -	PRODUCT SPEC			PIN CONTACT, SIZE No.0		
1 PLC	± -	APPLICATION SPEC			W/ No.6 CRIMP BARREL		
2 PLC	± .02	WEIGHT			SIZE	CAGE CODE	DRAWING NO
3 PLC	± .010	MATERIAL			A3	00779	C-1766190
4 PLC	± -	FINISH			RESTRICTED TO		
ANGLES	± -	CUSTOMER DRAWING			SCALE	SHEET	REV
					4:1	1 OF 1	A

单击下面可查看定价，库存，交付和生命周期等信息

[>>TE Connectivity\(泰科\)](#)