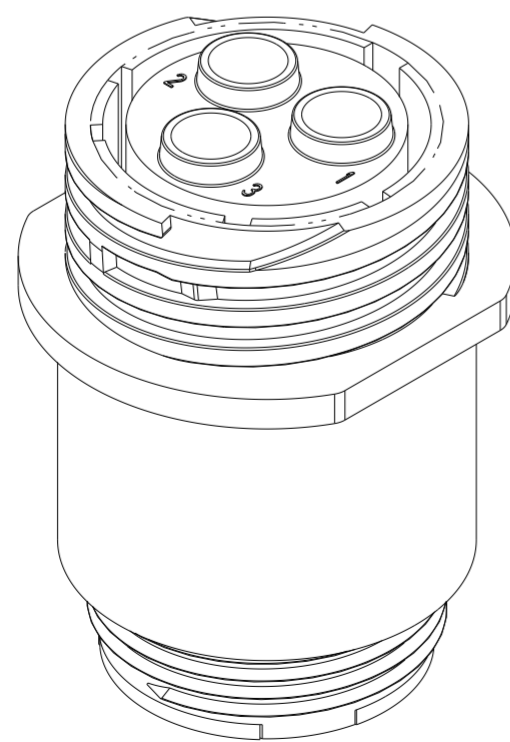
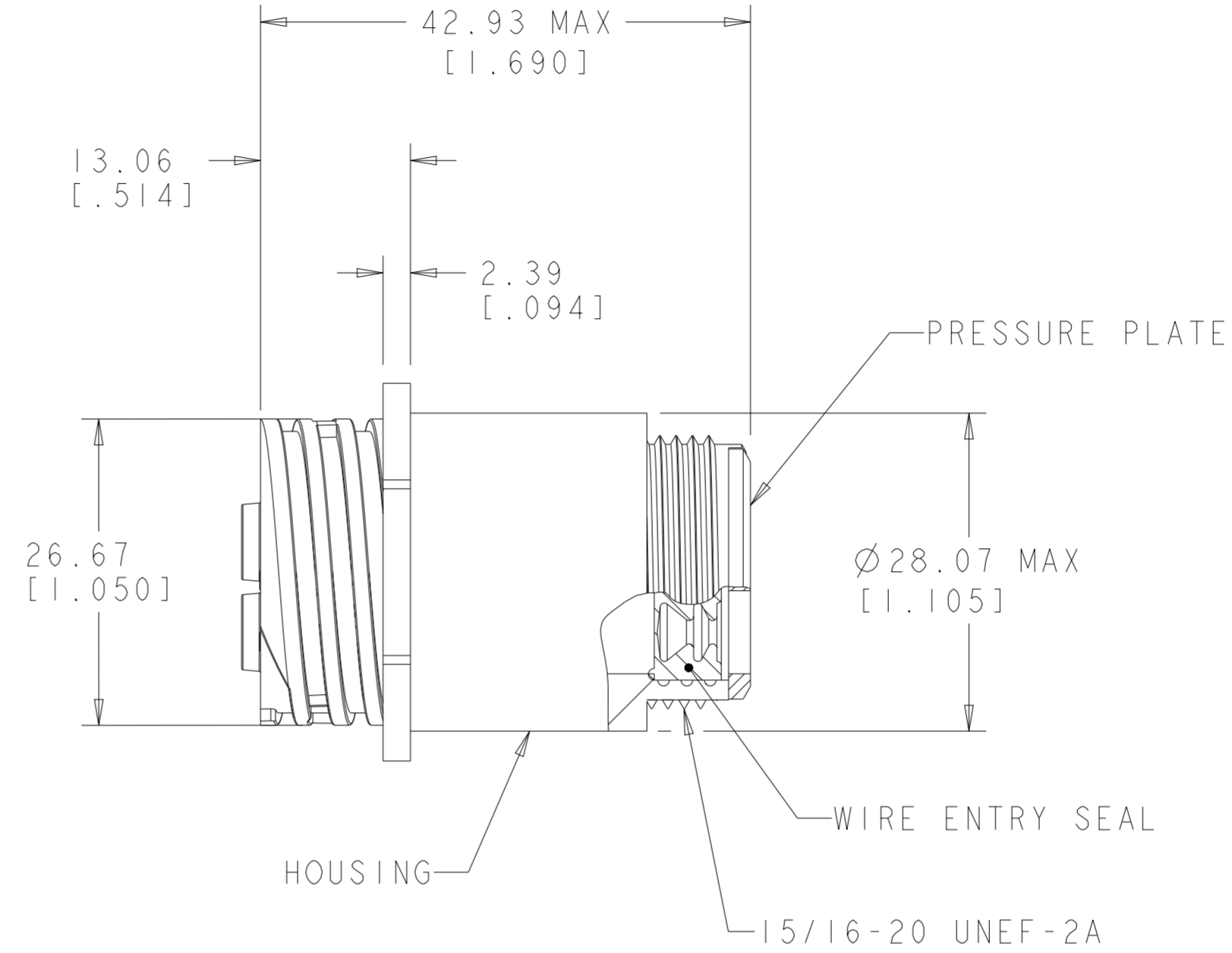
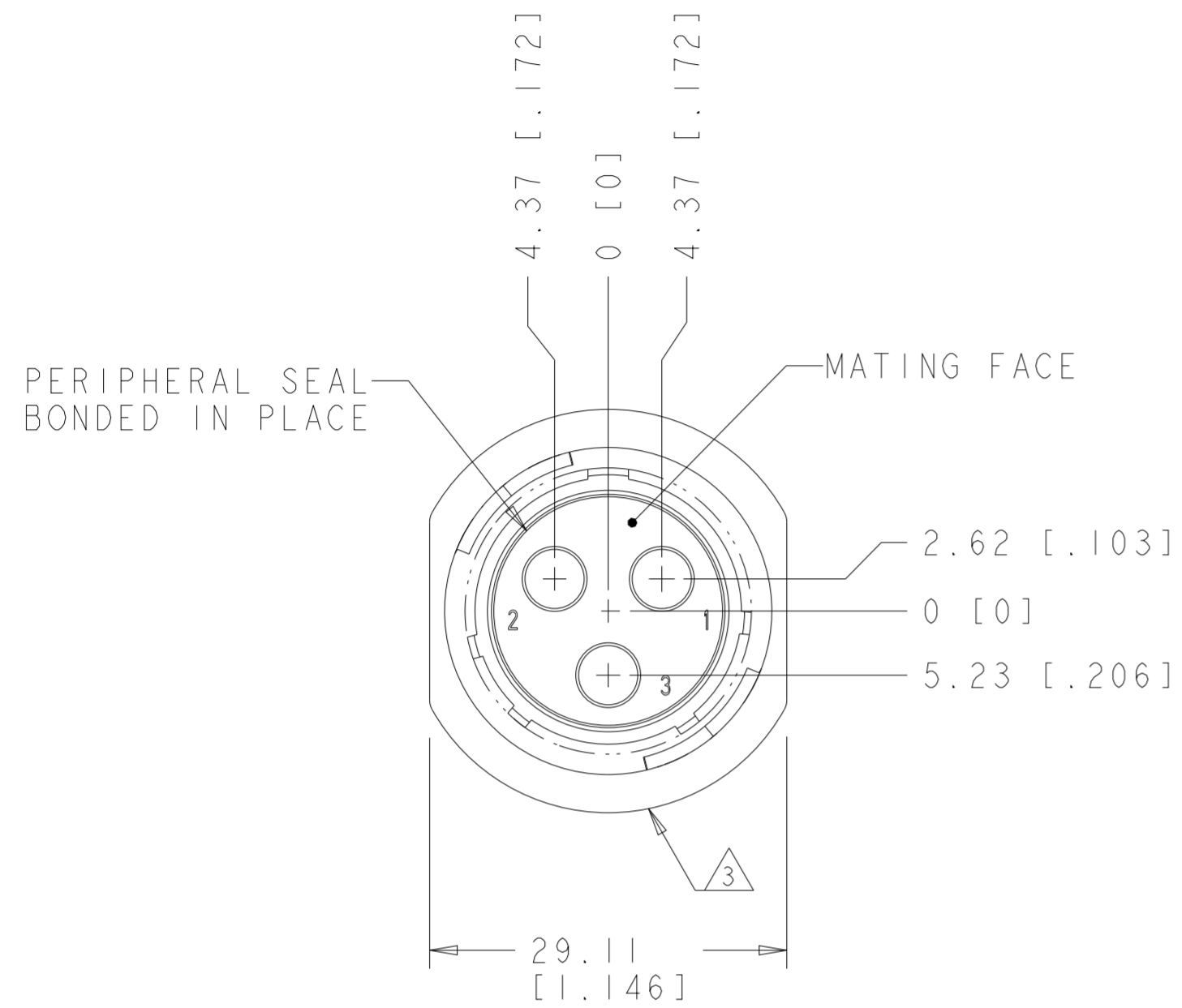


P	LTR	DESCRIPTION	DATE	DWN	APVD
E		REVISED PER ECO-21-006943	13OCT2021	RK	MZ



- △ HOUSING & PRESSURE PLATE: NYLON, BLACK.
WIRE ENTRY SEAL: ELASTOMER, RED-IRON OXIDE.
PERIPHERAL SEAL: ELASTOMER, BLACK.
- 2. WILL ACCEPT (3) POWER BAND SOCKET CONTACTS.
- △ TE LOGO LOCATED ON ANY FLANGE EDGE.

OBSOLETE	3.81-6.73 [.150-.265]	796112-2
	2.41-5.21 [.095-.205]	796112-1
	INSULATION RANGE	PART NUMBER

THIS DRAWING IS A CONTROLLED DOCUMENT.		DWN S. WELDON 07FEB2000	TE Connectivity	
DIMENSIONS: mm [INCHES]		CHK K. DOWHOWER 07FEB2000		
TOLERANCES UNLESS OTHERWISE SPECIFIED:		APVD K. DOWHOWER 07FEB2000	NAME RECEPTACLE ASSY, SERIES 5, REVERSE SEX, SIZE 17-3, CIRCULAR PLASTIC CONNECTOR	
0 PLC ±	1 PLC ±	PRODUCT SPEC 108-1579	SIZE	RESTRICTED TO
2 PLC ±0.02	3 PLC ±	APPLICATION SPEC	CAGE CODE	
4 PLC ±	ANGLES ±	WEIGHT	DRAWING NO	
MATERIAL	FINISH	CUSTOMER DRAWING	A200779	G-796112
		SCALE 2:1	SHEET 1 OF 1	REV E

单击下面可查看定价，库存，交付和生命周期等信息

[>>TE Connectivity\(泰科\)](#)