

4

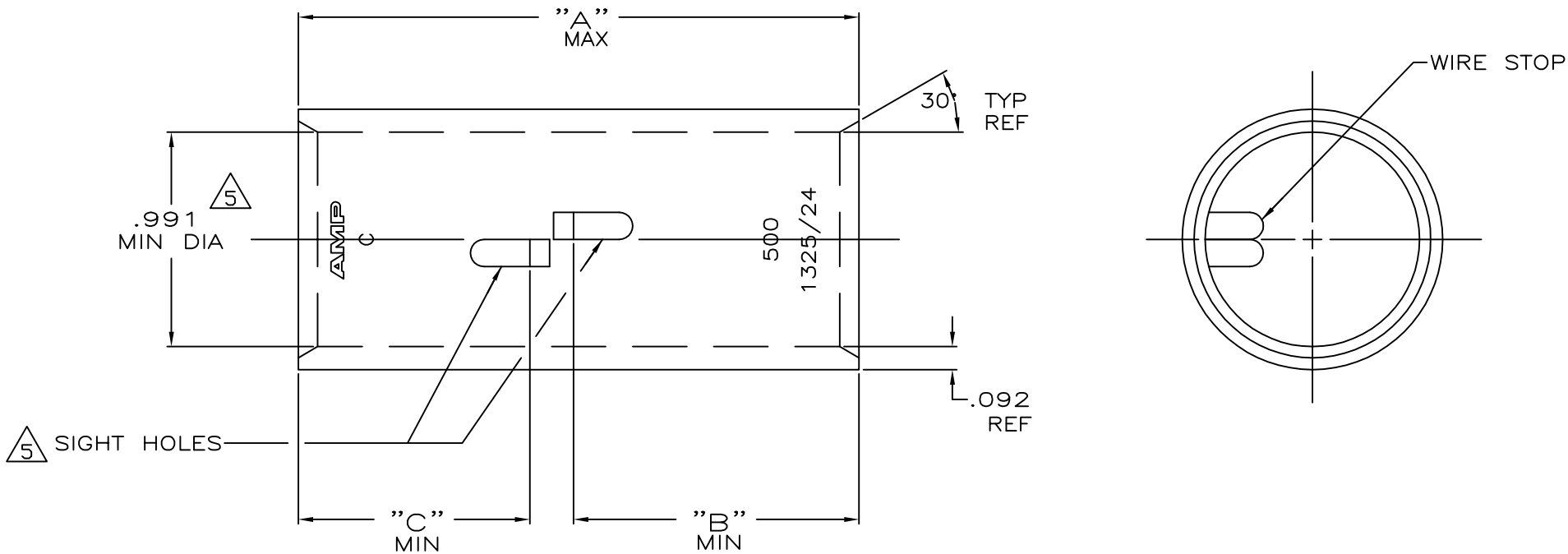
3

2

1

THIS DRAWING IS UNPUBLISHED. RELEASED FOR PUBLICATION  
 © COPYRIGHT - By - ALL RIGHTS RESERVED.

LOC	DIST	REVISIONS					
G	86	P	LTR	DESCRIPTION	DATE	DWN	APVD
		R		ECR-13-000998	11FEB2013	PK	HS



- ① TIN PL .000150 MIN THK PER ASTM B 545
- ② PART NO: 324466; .243 LB.  
PART NO: 1-324466-0; .243 LB.  
PART NO: 2-324466-1; .243 LB.  
PART NO: 2-324466-2; .269 LB.
- ③ RED COLOR CODE
- ④ CLEANED, UNPLATED
- ⑤ .045 MAX BURR ALLOWED INSIDE THE WIRE BARREL ID IN AREA OF SIGHT HOLE.

OBSOLETE	1.07	1.32	2.64	①	450-550 MCM	COPPER ASTM-B-75 ANNEALED	2-324466-2
	1.07	1.07	2.41	① ①			<del>2-324466-1</del>
				④			1-324466-0
				①			324466
	"C"	"B"	"A"	FINISH	WIRE RANGE	MATERIAL	PART No

THIS DRAWING IS A CONTROLLED DOCUMENT.

DWN	DK SCHRUM	4/24/89		SPLICE, BUTT, AMPPOWER WIRE SIZE: 500 MCM		
CHK	MS FEHER	4/24/89				
APVD	WJ VOCKROTH	11/8/89				
PRODUCT SPEC						
APPLICATION SPEC			SIZE	CAGE CODE	DRAWING NO	RESTRICTED TO
			A3	00779	C=324466	
MATERIAL	FINISH	WEIGHT	CUSTOMER DRAWING			
SEE TABLE	SEE TABLE	②	SCALE	SHEET	REV	
			2:1	1 OF 1	R	

单击下面可查看定价，库存，交付和生命周期等信息

[>>TE Connectivity\(泰科\)](#)