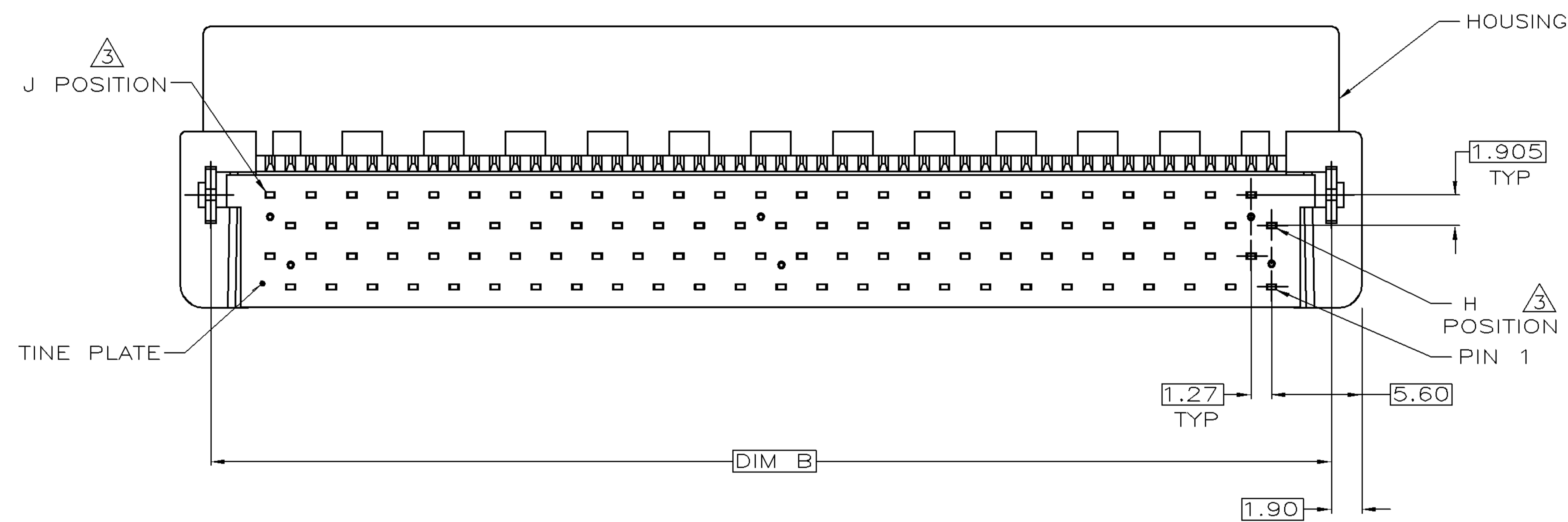
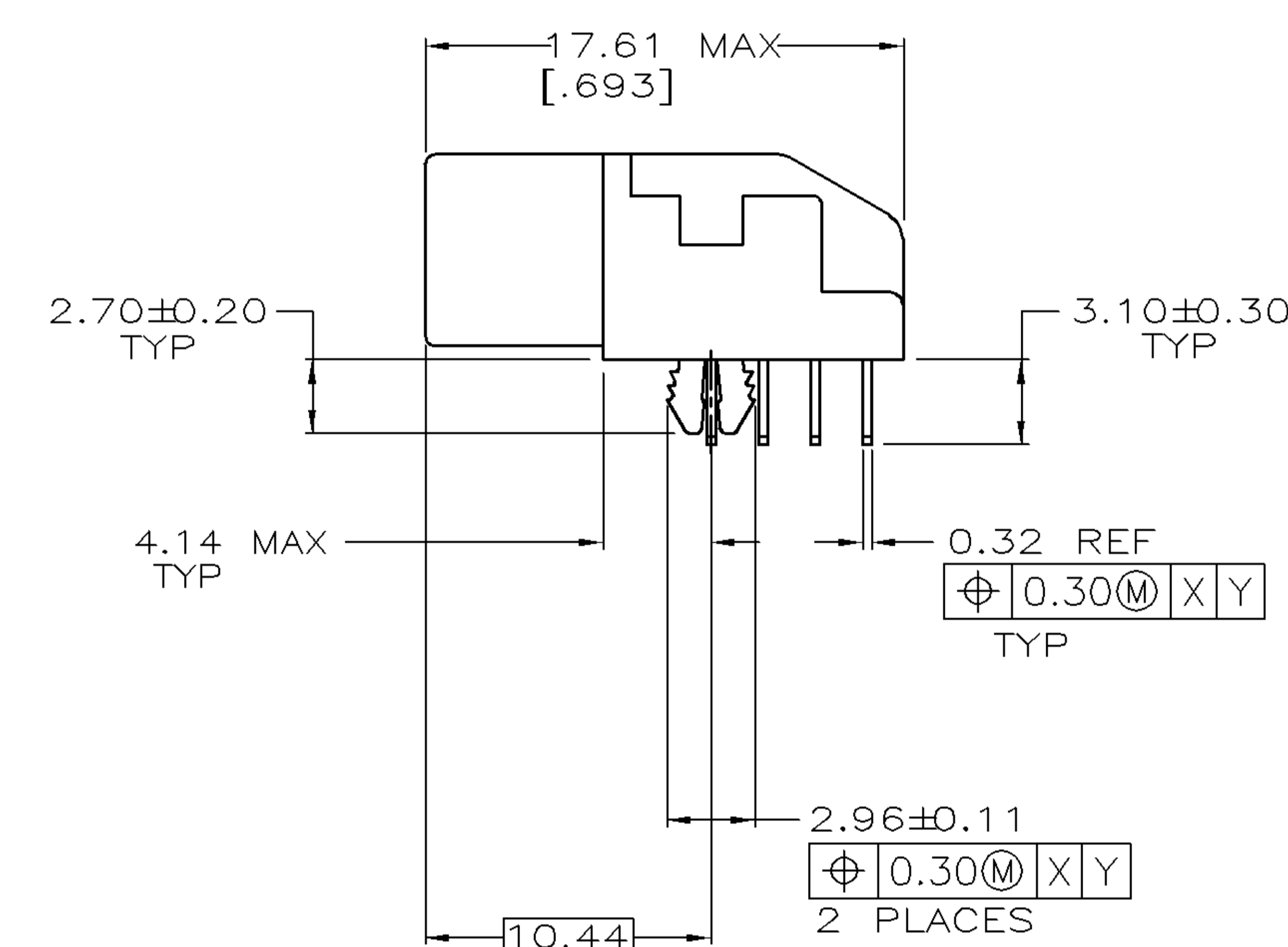
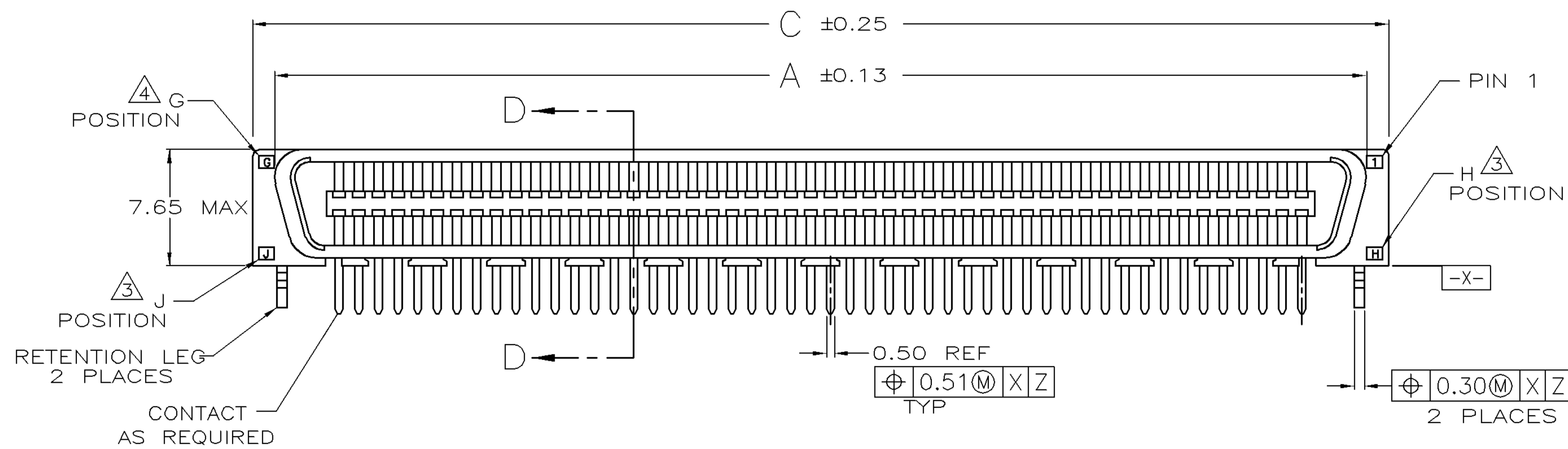


SECTION D-D  
SCALE 8:1



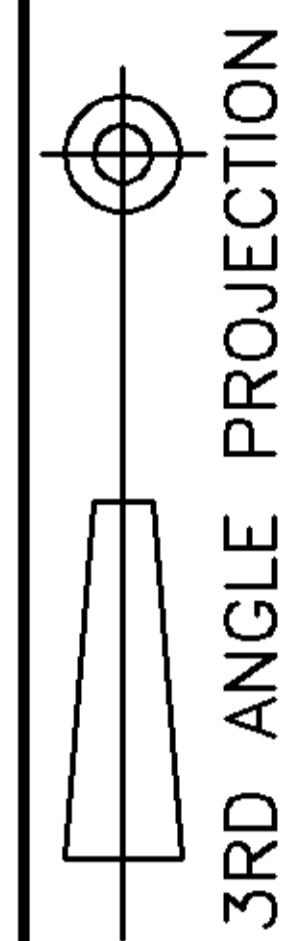
	120	61	60	86.13	82.33	83.27	120	1734832-2
(A1) OBSOLETE	80	41	40	60.73	56.93	57.87	80	1734832-1
	J	H	G	C	B	A	POS.	PART NUMBER

- △ HOUSING AND TINE PLATE: LCP, 94V-0, BLACK.  
CONTACT: PHOSPHOR BRONZE.  
RETENTION LEG: BRASS.
- △ CONTACT: 0.38µm MIN GOLD FOR A LENGTH OF 2.00 MIN FOR A LENGTH OF 1.00 MAX FROM MATING END,  
3.75µm MATTE TIN FOR A LENGTH OF 3.40 MIN FROM OPPOSITE END, BOTH OVER 1.27µm MIN NICKEL.  
RETENTION LEG: 3.81µm MIN TIN-CU OVER 1.27µm MIN NICKEL.
- △ G, J AND H INDICATE NUMBER OF POSITION MARKED ON ASSEMBLY. SEE TABLE.
- 4. CONNECTOR WILL ACCOMMODATE PRINTED CIRCUIT BOARD THICKNESS OF 0.80 TO 1.60.
- 5. ALWAYS RoHS/ELV COMPLIANT
- 6. WAVE SOLDER CAPABLE TO 265°C PER TYCO SPEC 109-202, CONDITION B.

A1	-	ECR-12-013103	K.M E.T	26MAR2013
A	CHANGE PLATING SPEC	ECR-06-024892	OH SH	27OCT 2006
O	FIRST RELEASED	FZ00-0022-04	OH SH	04FEB 2005
LTR	REVISION RECORD	ECN	DWN CHK	DATE

DIMENSION : 0 PLC ± 1 PLC ± 2 PLC ± 3 PLC ± ANGLES : ±	DWN	O. HU	TE Connectivity
	24-OCT-2006		
MATERIAL	CHK	S. HOU	NAME PLUG ASSEMBLY, RIGHT ANGLE, BOARD-TO-BOARD, CHAMP .050, SERIES I
	24-OCT-2006		
FINISH	APVD	W.J. KE	LOC DW
	24-OCT-2006		
PRODUCT SPEC 108-1367	APPLICATION SPEC 114-6045		SIZE A <sub>3</sub>
	WEIGHT		DRAWING NO C-1734832
			REV A1
			SCALE --
			SHEET 1 OF 2

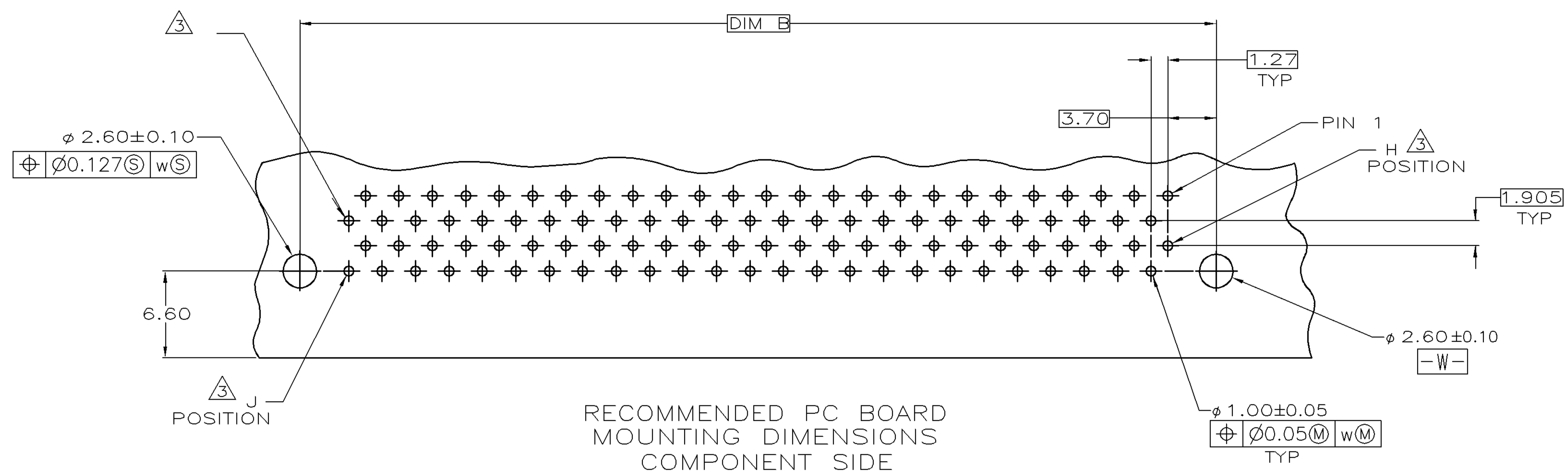
NUMBER  
C-1734832



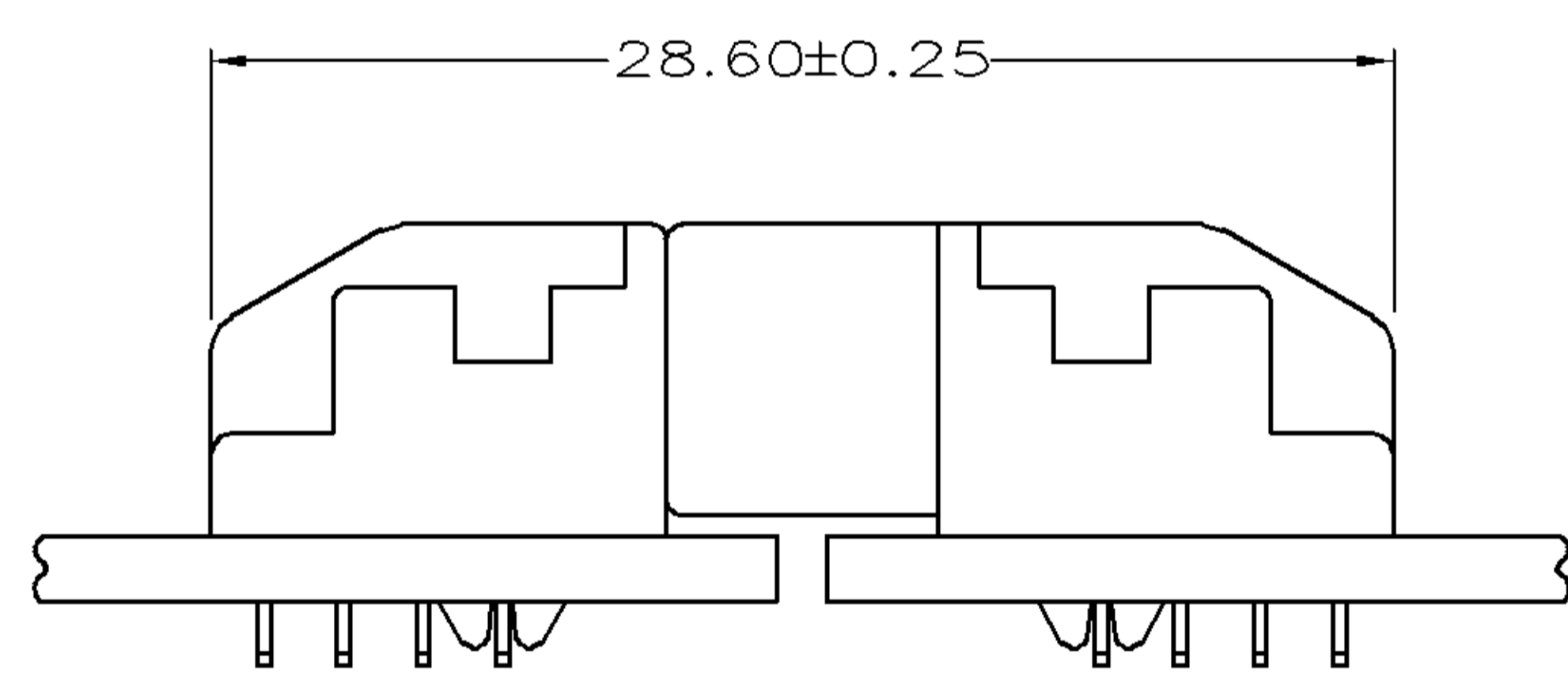
METRIC

THIS INFORMATION IS CONFIDENTIAL AND IS DISCLOSED TO YOU ON CONDITION THAT NO FURTHER DISCLOSURE IS MADE BY YOU TO OTHER THAN AMP PERSONNEL WITHOUT WRITTEN AUTHORIZATION FROM AMP (TAIWAN) LTD. DIMENSIONS IN MILLIMETERS. DO NOT SCALE PRINT.

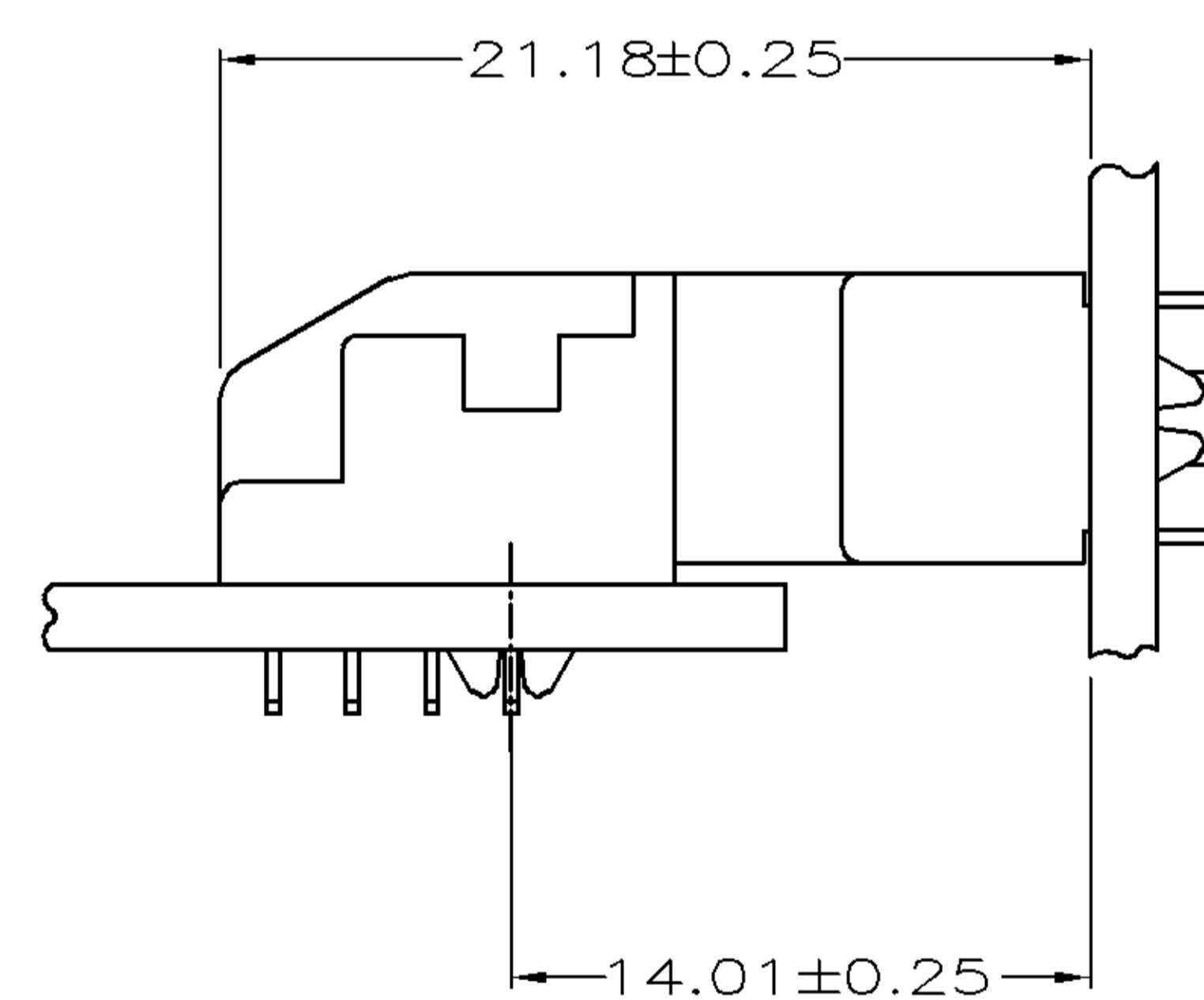
PRINT DIST  
DW



RECOMMENDED PC BOARD  
MOUNTING DIMENSIONS  
COMPONENT SIDE



RIGHT ANGLE PLUG ASSEMBLY MATED  
TO RIGHT ANGLE RECEPTACLE ASSEMBLY



RIGHT ANGLE PLUG ASSEMBLY MATED  
TO VERTICAL RECEPTACLE ASSEMBLY

LTR	SEE SHEET 1.	ECN	DWN	CHK	DATE
	REVISION RECORD				

DIMENSION : 0 PLC ± 1 PLC ± 2 PLC ± 3 PLC ± ANGLES : ±°	DWN	O. HU	TE Connectivity			
		24-OCT-2006				
MATERIAL	CHK	S. HOU	NAME PLUG ASSEMBLY, RIGHT ANGLE, BOARD-TO-BOARD, CHAMP .050, SERIES I			
		24-OCT-2006				
SEE NOTE	APVD	W.J. KE	LOC	SIZE	DRAWING NO	REV
	PRODUCT SPEC	24-OCT-2006	DW	A <sub>3</sub>	C-1734832	A1
SEE NOTE	APPLICATION SPEC		SCALE	SHEET		
	WEIGHT		--	2 OF 2		

单击下面可查看定价，库存，交付和生命周期等信息

[>>TE Connectivity\(泰科\)](#)