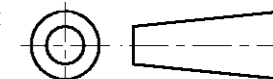


DO NOT SCALE

DIMENSIONS IN mm

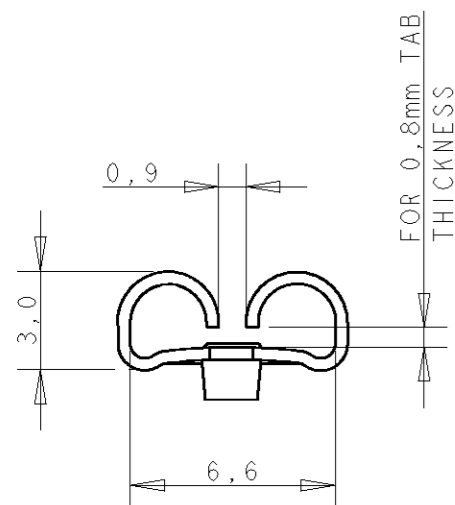
METRIC

THIRD ANGLE  
PROJECTION

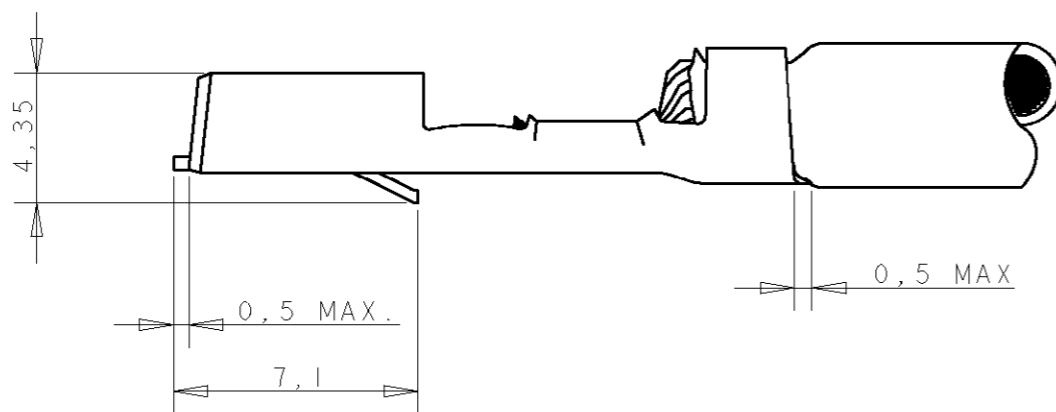
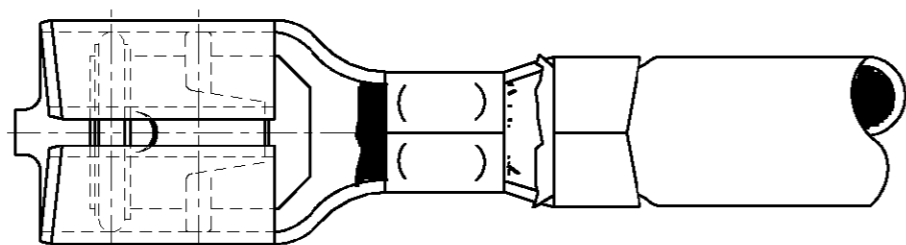
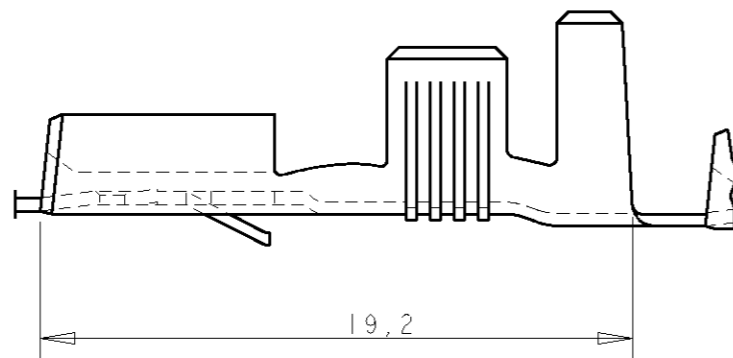
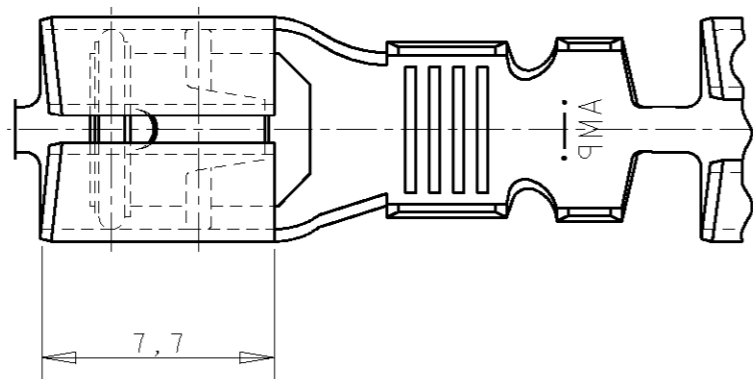


NOTES:

- 1 FOR USE ON STANDARD AND MINIATURE APPLICATORS.
- 2 REELED WITH PAPER COVER.



FOR 0,8mm TAB  
THICKNESS



WIRE RANGE :  
0,5-1,5 mm<sup>2</sup>  
INSULATION RANGE :  
1,2-2,4 DIA.

GENERAL TOLERANCES ±0.3

NOTES	FINISH	MATERIAL	PARTNUMBER
-	-	-	-
-	-	-	-
-	-	-	-
-	-	-	-
-	-	-	-
-	-	-	-
-	-	-	-
-	-	-	-
-	TINPLATING	-	160844-2
-	-	BRASS	-

REV.	NOTES	FINISH	MATERIAL	PARTNUMBER	
-	-	-	-	-	
-	-	-	-	-	
-	-	-	-	-	
-	-	-	-	-	
-	-	-	-	-	
-	-	-	-	-	
-	-	-	-	-	
-	-	-	-	-	
F	ES00-0065-01	JC JL	19JUN01		
E	ES00-0043-01	JC RS	30APR01		
D	EH-0168-94	DK PB	21-06-94		
LTR.	REVISION RECORD	DR.	CHK.	DATE	
DR.:	D.KESSLER	CHK.:	P.BEIJNON	APP.:	L.V.SOEST
DATE:	21-06-94	DATE:	-	DATE:	-
<p>CUSTOMER DRAWING FOR REFERENCE ONLY WILL NOT BE UPDATED</p> <p>© COPYRIGHT 19- BY AMP HOLLAND B.V. ALL INTERNATIONAL RIGHTS RESERVED. AMP PRODUCTS MAY BE COVERED BY U.S. AND FOREIGN AND/OR PATENTS PENDING.</p> <p>THIS DRAWING IS UNPUBLISHED RELEASED FOR PUBLICATION ,19</p> <p><b>AMP</b> Tyco Electronics AMP Barcelona, Spain</p> <p>NAME 6,3 SRS FASTIN-ON RECEPTACLE</p>					
DWG. No.	160844	REV. LTR.	F	SHEET	1 OF 1
A3					

单击下面可查看定价，库存，交付和生命周期等信息

[>>TE Connectivity\(泰科\)](#)