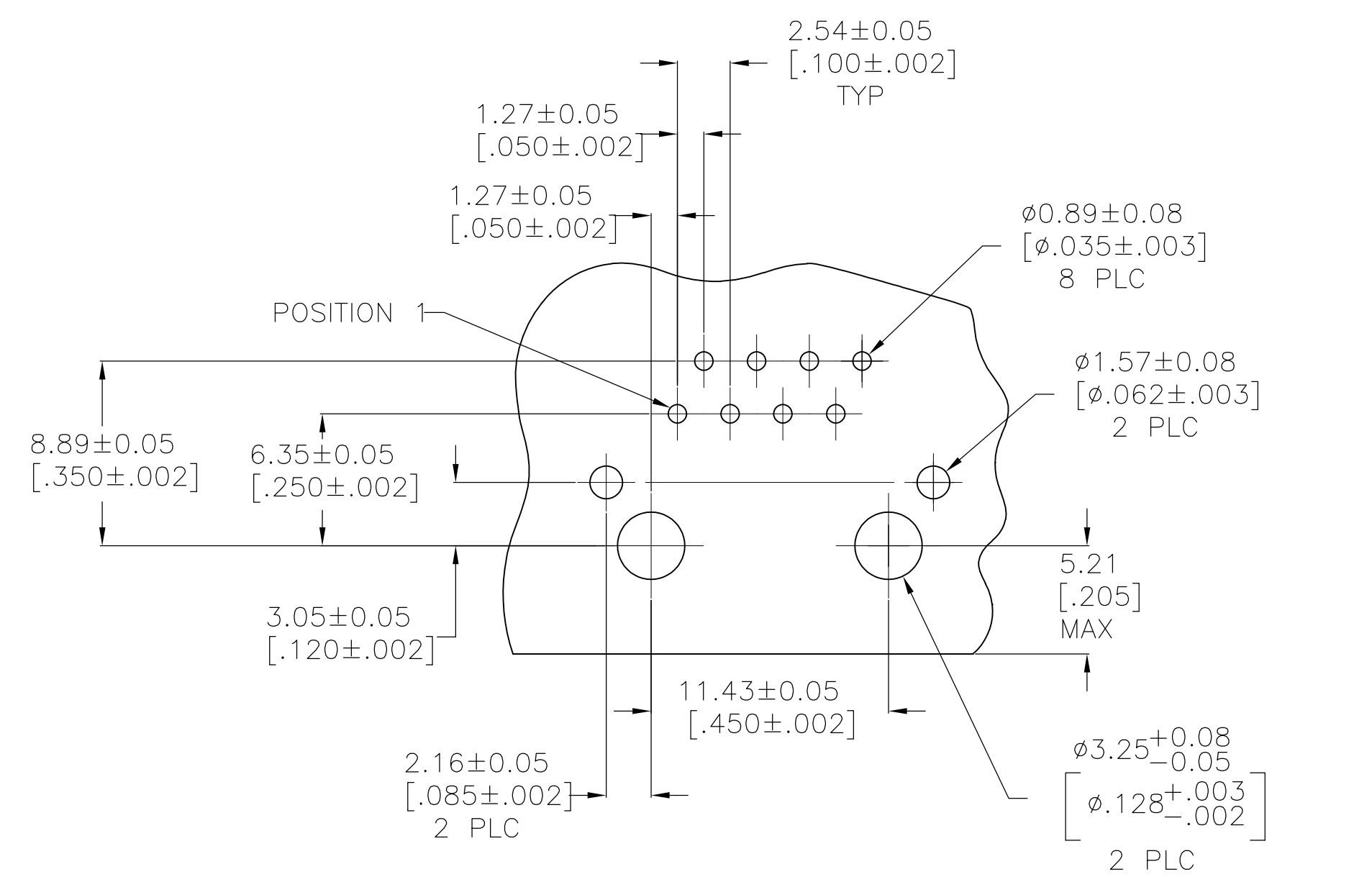
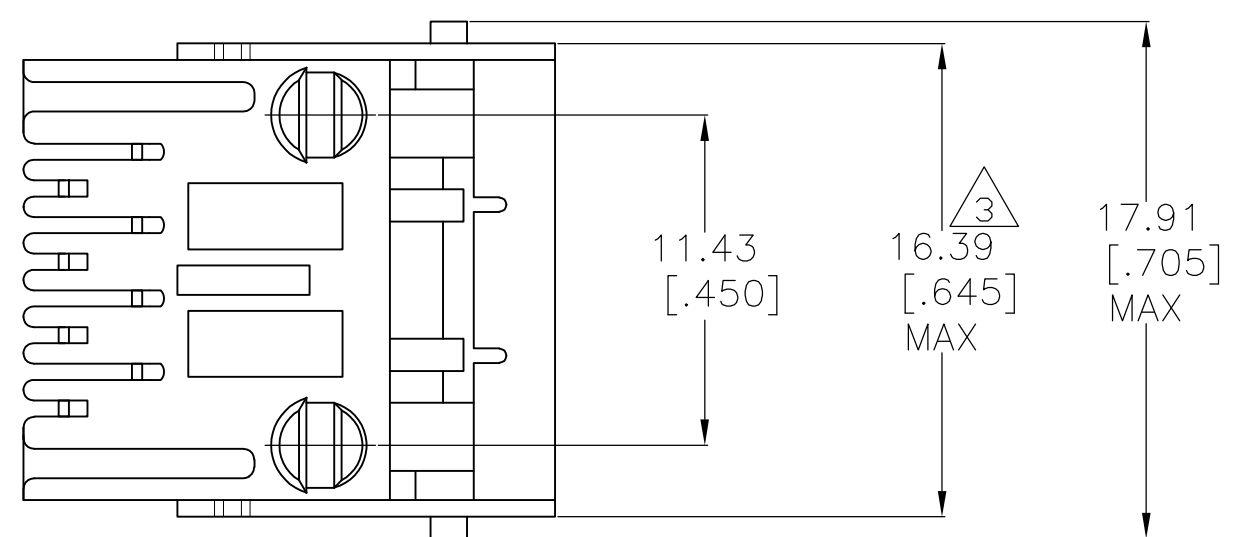
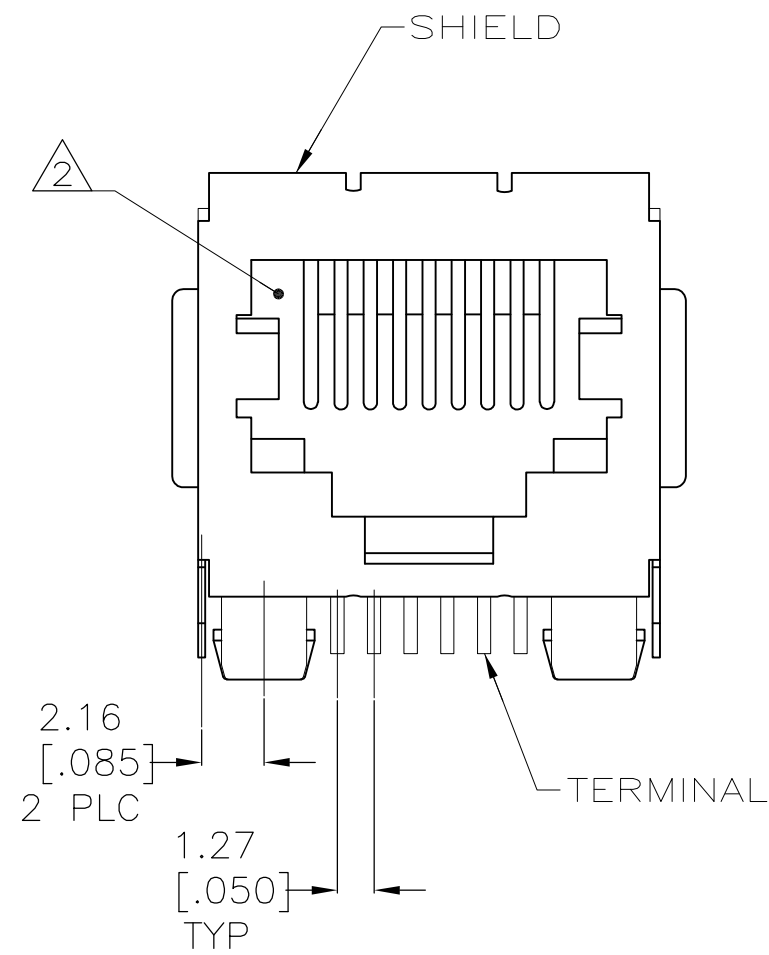
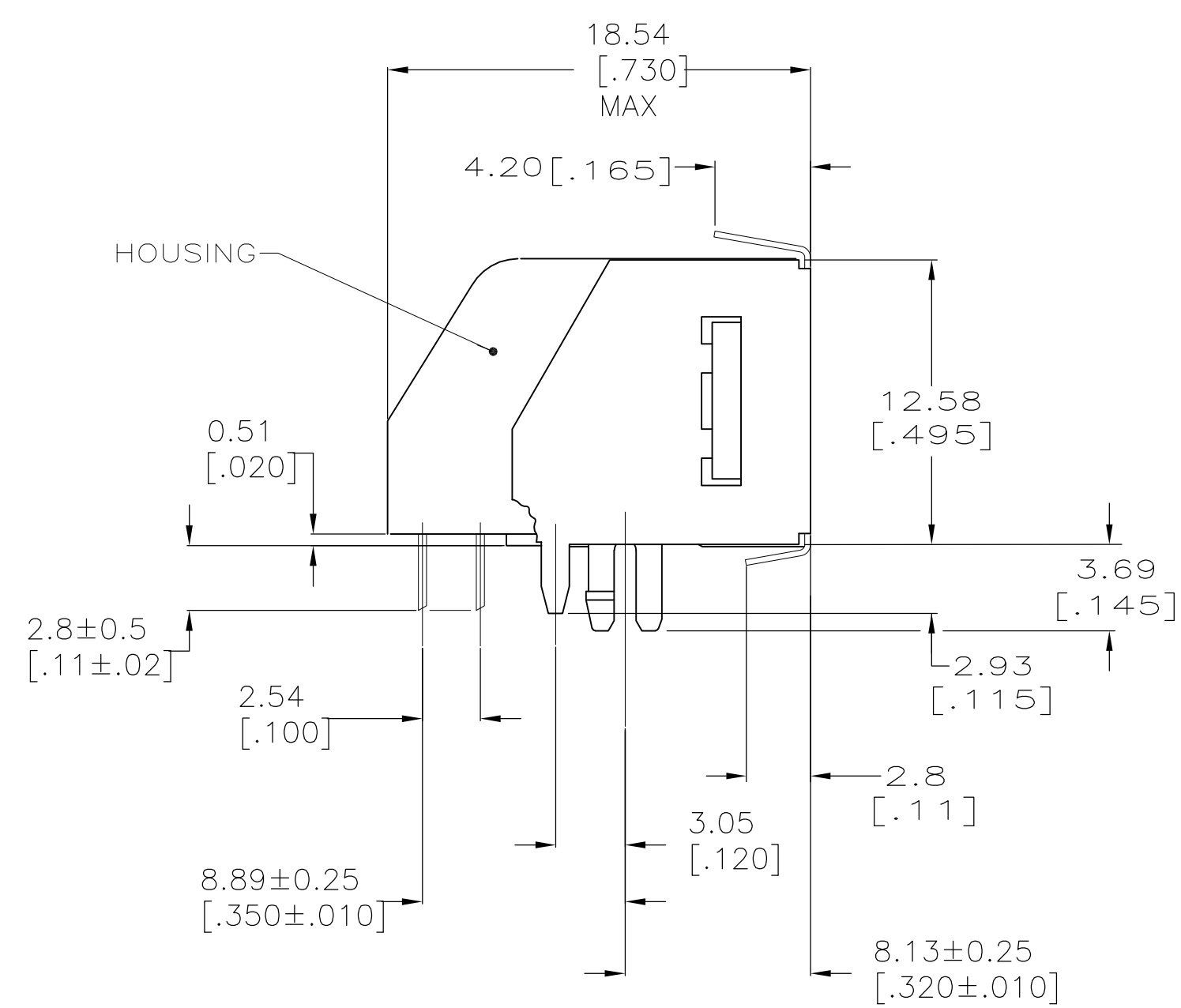
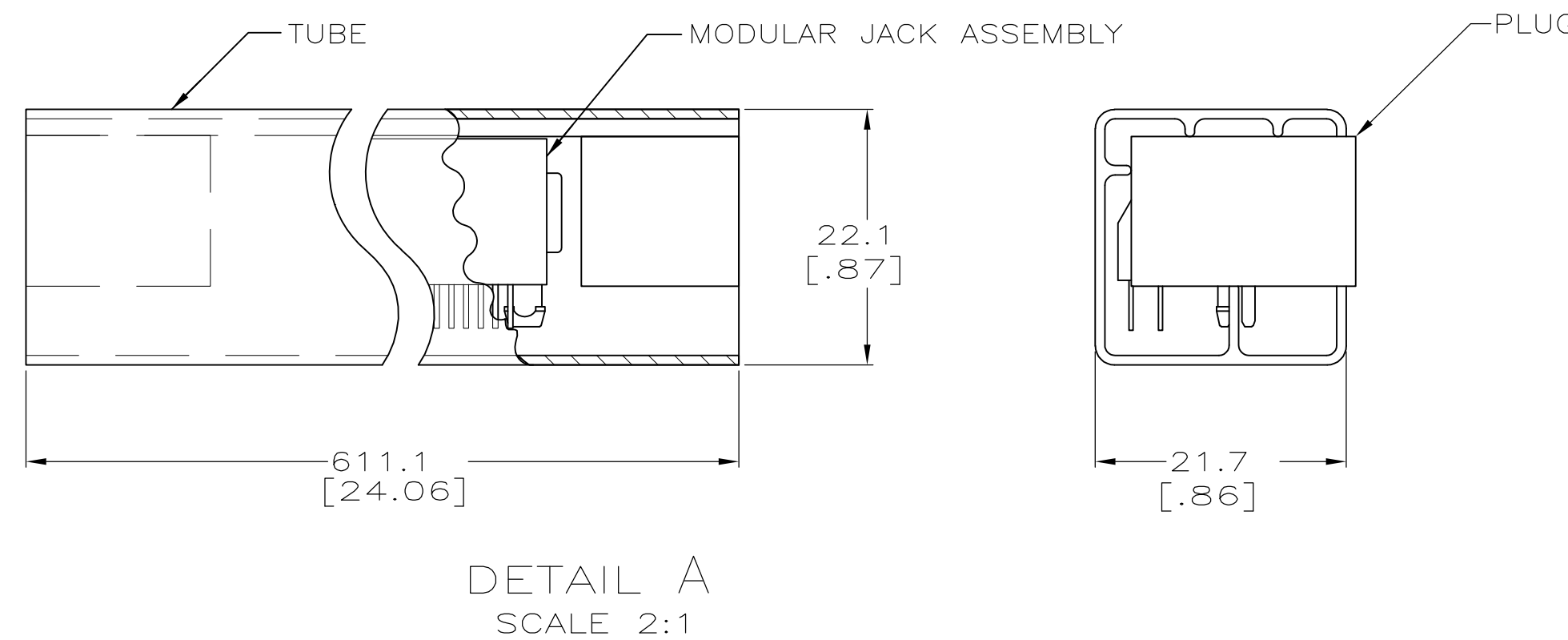


LOC		DIST		REVISIONS			
P	LTR	DESCRIPTION	DATE	DWN	APVD		
B		ECO-07-026027	12NOV07	LAM	PR		



RECOMMENDED PRINTED CIRCUIT BOARD LAYOUT (COMPONENT SIDE)



- MATERIAL:  
HOUSING - HTN MOLDING COMPOUND, UL 94V-0, BLACK  
TERMINAL - 0.36[.014] THICK PHOS-BRONZE PLATED WITH 1.27µm[.000050] MINIMUM THICK HARD GOLD IN LOCALIZED GOLD PLATE AREA AND 3.81µm[.000150] MINIMUM THICK MATTE TIN IN SOLDER AREA OVER 1.27µm[.000050] THICK MINIMUM NICKEL UNDERPLATE.  
SHIELD - 0.25[.010] THICK COPPER ALLOY PLATED WITH 3.0µm[.000120] MINIMUM REFLOWED TIN
- △ CAVITY CONFORMS TO FCC RULES AND REGULATIONS PART 68, SUBPART F.
- △ DIMENSION MEASURED ALONG FRONT EDGE OF MATING FACE
- PACKAGED 31 ASSEMBLIES PER TUBE WITH BOTH ENDS PLUGGED (SEE DETAIL A)

6368018-1  
PART NUMBER

THIS DRAWING IS A CONTROLLED DOCUMENT.		DWN L. VARELA - DOCK5 15JUN2005	Tyco Electronics Corporation Harrisburg, PA 17105-3608	
CHK J. WESTMAN 15JUN2005	NAME S. FLICKINGER 15JUN2005	MODULAR JACK ASSEMBLY, 8 POSITION, RIGHT ANGLE, LOW PROFILE, SHIELDED, PANEL GROUND, LOW INSERT FORCE (IR)		
DIMENSIONS: mm [INCHES]	TOLERANCES UNLESS OTHERWISE SPECIFIED:	PRODUCT SPEC 108-1163	SIZE A1	CAGE CODE -
Ø	0 PLC ± - 1 PLC ± - 2 PLC ± 0.13[.005] 3 PLC ± - 4 PLC ± - ANGLES ± -	APPLICATION SPEC 114-2048	DRAWING NO 6368018	RESTRICTED TO -
MATERIAL SEE NOTE 1	FINISH SEE NOTE 1	WEIGHT -	CUSTOMER DRAWING	SCALE 4:1 SHEET 1 OF 1 REV B

单击下面可查看定价，库存，交付和生命周期等信息

[>>TE Connectivity\(泰科\)](#)