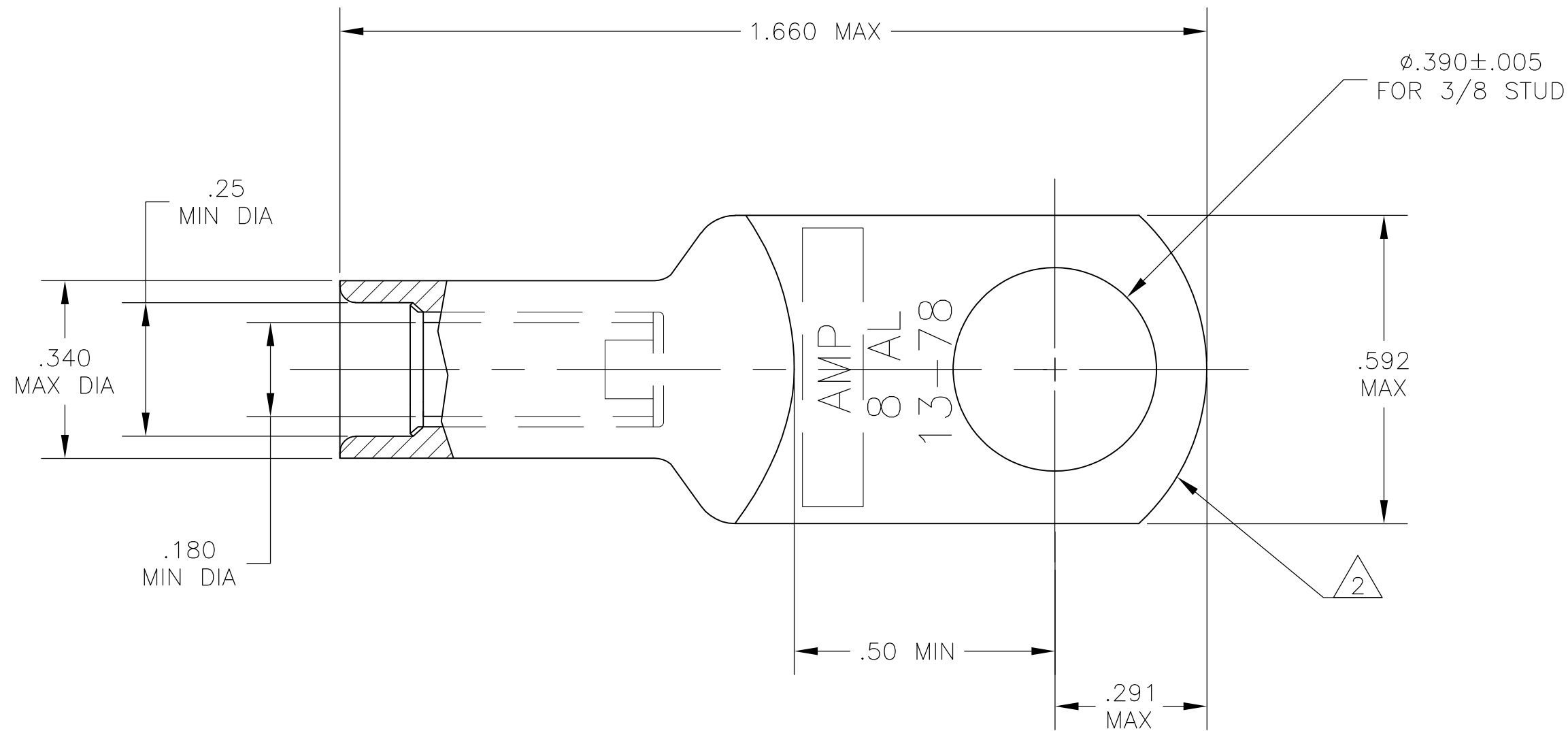
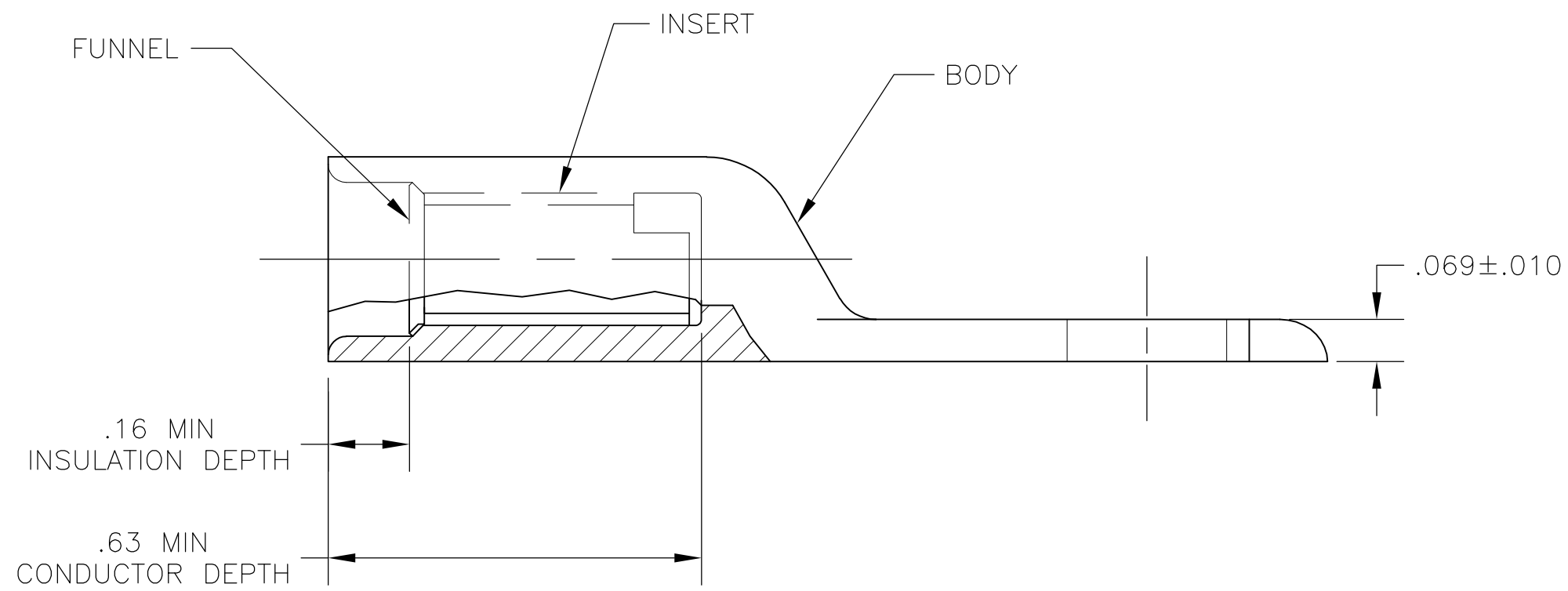


THIS DRAWING IS UNPUBLISHED. RELEASED FOR PUBLICATION
 © COPYRIGHT BY TYCO ELECTRONICS CORPORATION. ALL RIGHTS RESERVED.

LOC	DIST	REVISIONS			
P	LTR	DESCRIPTION	DATE	DWN	APVD
G	86				
		D	REVISED PER ECO-10-023835	10JAN11	PY BW



- 1 WIRE INSULATION: .220-.248 DIA
- 2 THE TONGUE RADIUS FEATURE IS NOT A TOOLING CONTROLLED DIMENSION AND MAY NOT BE A TRUE RADIUS.
- 3 .020 FLASH PERMITTED ON WIRE BARRELL DUE TO IMPACTING
- 4 STAMP "AMP 8 AL 13-78" SIZE AND LOCATION APPROX AS SHOWN



INSERT & FUNNEL: BRASS MIL-C-50 NICKEL PL QQ-N-290 .000300 AVG THK	696866-1
BODY: COPPER ASTM-B187 ANNEALED TIN PL PER ASTM B-545 .000150 MIN THK	
MATERIAL & FINISH	PART NO.

THIS DRAWING IS A CONTROLLED DOCUMENT.		DWN	JR RUTH	21NOV05	Tyco Electronics Corporation Harrisburg, PA 17105-3608
DIMENSIONS: INCHES		CHK	MS FEHER	21NOV05	
TOLERANCES UNLESS OTHERWISE SPECIFIED:		APVD	MJ SPICER	21NOV05	
0 PLC ± - 1 PLC ± - 2 PLC ± - 3 PLC ± - 4 PLC ± - ANGLES ± -		PRODUCT SPEC	NAME		
MATERIAL SEE TABLE		FINISH	SEE TABLE		WIRE TERMINAL, COPALUM, SEALED, RING TONGUE, WIRE SIZE: #8 AL
WEIGHT		10.0 ± 3 GRAMS		SIZE A2 CAGE CODE 00779 DRAWING NO C-696866	RESTRICTED TO
CUSTOMER DRAWING		SCALE 4:1		SHEET 1 of 1	REV D

696866

单击下面可查看定价，库存，交付和生命周期等信息

[>>TE Connectivity\(泰科\)](#)