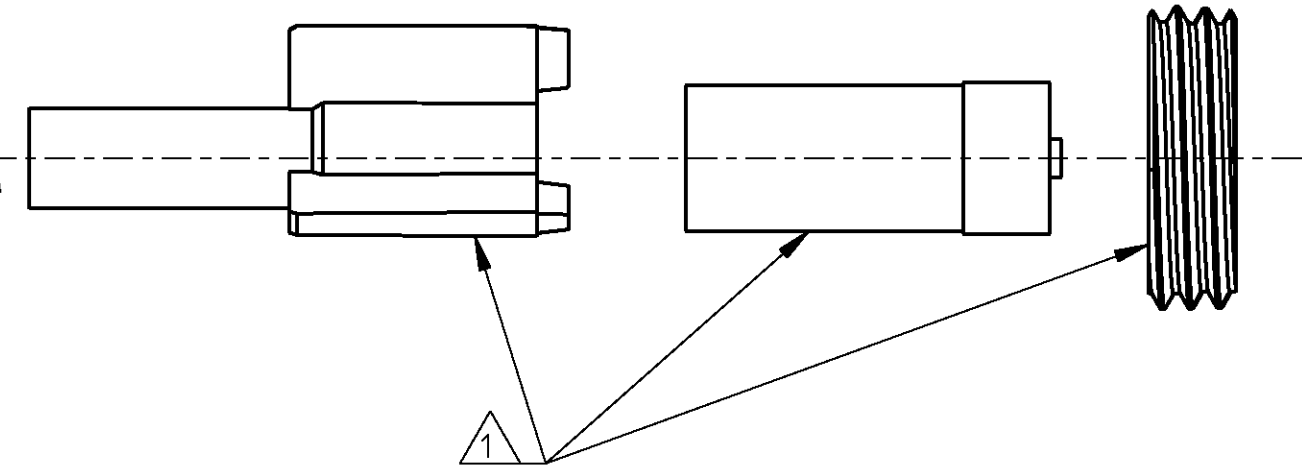
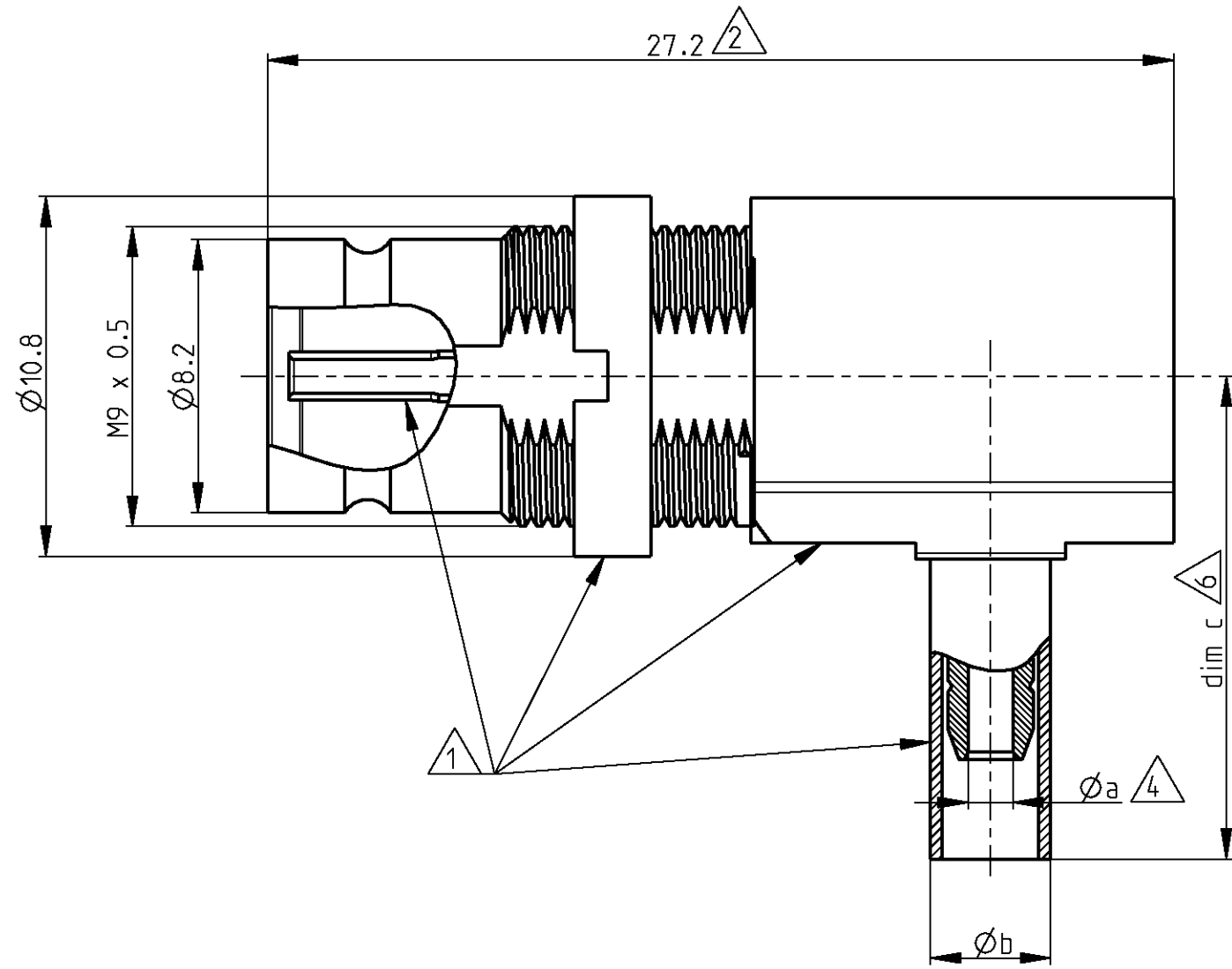


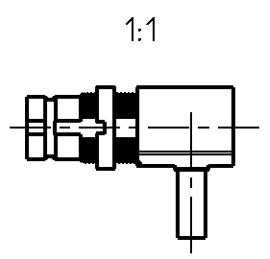
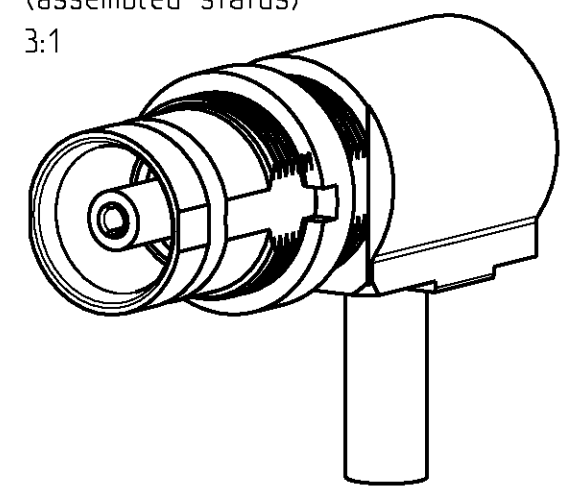
THIS DRAWING IS UNPUBLISHED. RELEASED FOR PUBLICATION 2000
 © COPYRIGHT 2000 BY TYCO ELECTRONICS CORPORATION. ALL RIGHTS RESERVED.

LOC	DIST	REVISIONS					
		P	LTR	DESCRIPTION	DATE	DWN	APVD
IS	-		A1	extra PN added	01AUG2001	BL	KM
			A2	extra PN added + dim c corrected + pack. info	27JUN2003	FH	RL
			A3	extra PN added	05MAR2004	FH	RL
			B	ECR-07-019253	13AUG07	AN	DB
			B1	REVISED PER ECO-10-000445	27JAN10	KK	HMR



- △6 Maximum, as delivered.
- 5) Mating face according to DIN 47295/CECC 22240.
- △4 Minimum dimension.
- 3) All dimensions are maximum unless otherwise specified.
- △2 Maximum dimension when fully assembled.
- △1 Supplied as loose part.

3D VIEW
(assembled status)
3:1



<small>THIS DRAWING IS A CONTROLLED DOCUMENT FOR TYCO ELECTRONICS CORPORATION IT IS SUBJECT TO CHANGE AND THE CONTROLLING ENGINEERING ORGANIZATION SHOULD BE CONTACTED FOR THE LATEST REVISION.</small>		DWN 02MAR2001 B. Ienvain		Tyco Electronics CH - Switzerland - Lugano	
DIMENSIONS: mm		TOLERANCES UNLESS OTHERWISE SPECIFIED: 0 PLC ± 1 PLC ± 2 PLC ± 3 PLC ± 4 PLC ± ANGLES ±		CHK 05APR2001 K. Mattheuws APVD 05APR2001 R. Leeman	
MATERIAL see table		FINISH see table		NAME Right angle bulkhead cable jack 1.6/5.6 (75 ohm)	
WEIGHT -		APPLICATION SPEC 114-71024		PRODUCT SPEC -	
CUSTOMER DRAWING		SCALE 5:1		SIZE A3 CAGE CODE 00779 DRAWING NO. C-3-1393680-0 RESTRICTED TO -	
				SHEET 1 OF 2 REV B1	

THIS DRAWING IS UNPUBLISHED. RELEASED FOR PUBLICATION 2000
 © COPYRIGHT 2000 BY TYCO ELECTRONICS CORPORATION. ALL RIGHTS RESERVED.

LOC	DIST	REVISIONS			
P	LTR	DESCRIPTION	DATE	DWN	APVD
		SEE SHEET 1	-	-	-

CROSS REFERENCE TABLE

Old part number	TE part number	Description	Material	Plating	Øa	Øb	dim c	Cable type
V23612-A802-G41	3-1393680-0 7	Outer conductor	Brass	1µm Au min in contact area/min 0.1µm Au over min 2µm NiP	1.7	3.6	15	RG 179 B/U
		Center conductor	CuBe/Bronze	min 0.1µm Au over min 2µm NiP				
		Dielectric	PEEK/PC	-				
V23612-A802-G62	3-1393680-5 7	Outer conductor	Brass	1µm Au min in contact area/min 0.1µm Au over min 2µm NiP	2.15	5.2	15	02XCS(mS) C6Y 0.45/2.0
		Center conductor	CuBe/Bronze	min 0.1µm Au over min 2µm NiP				
		Dielectric	PEEK/PC	-				
V23612-A802-G45	3-1393680-2 7	Outer conductor	Brass	1µm Au min in contact area/min 0.1µm Au over min 2µm NiP	2.55	6.2	15	02YCCY 0.4/2.5 LYC (mS) CY 0.4/2.5
		Center conductor	CuBe/Bronze	min 0.1µm Au over min 2µm NiP				
		Dielectric	PEEK/PC	-				
V23612-A802-G76	3-1393680-7 7	Outer conductor	Brass	1µm Au min in contact area/min 0.1µm Au over min 2µm NiP	2.15	5.2	15	02YS(St) CY 0.45/2.0
		Center conductor	CuBe/Bronze	min 0.1µm Au over min 2µm NiP				
		Dielectric	PEEK/PC	-				
V23612-A802-G76A	3-1393680-8 8	Outer conductor	Brass	1µm Au min in contact area/min 0.1µm Au over min 2µm NiP	2.15	5.2	15	02YS(St) CY 0.45/2.0
		Center conductor	CuBe/Bronze	min 0.1µm Au over min 2µm NiP				
		Dielectric	PEEK/PC	-				
-	1460042-1 9	Outer conductor	Brass	1µm Au min in contact area/min 0.1µm Au over min 2µm NiP	2.15	5.2	15	02YS(St)CY 0.45/2.0
		Center conductor	CuBe/Bronze	min 0.1µm Au over min 2µm NiP				
		Dielectric	PEEK/PC	-				
V23612-A802-G73	4-1393682-3 7	Outer conductor	Brass	1µm Au min in contact area/min 0.1µm Au over min 2µm NiP	1.7	4.3	15	02XSC(St) 6Y 0.37/1.6
		Center conductor	CuBe/Bronze	min 0.1µm Au over min 2µm NiP				
		Dielectric	PEEK/PC	-				
-	1460128-1 8	Outer conductor	Brass	1µm Au min in contact area/min 0.1µm Au over min 2µm NiP	1.35	3.8	15	02YS(St) CHH 0.25/1.2 0.25/1.3 HF 75 0.25/1.15
		Center conductor	CuBe/Bronze	min 0.1µm Au over min 2µm NiP				
		Dielectric	PEEK/PC	-				
-	1460169-1 7 10	Outer conductor	Brass	1µm Au min in contact area/min 0.1µm Au over min 2µm NiP	1.35	3.8	15	02YS(St) CHH 0.25/1.2 0.25/1.3 HF 75 0.25/1.15
		Center conductor	CuBe/Bronze	min 0.1µm Au over min 2µm NiP				
		Dielectric	PEEK/PC	-				

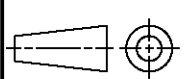
11
OBSOLETE


OBSOLETE

11
OBSOLETE

- 7 Individual packaging
- 8 Tray packaging
- 9 Bulk packaging
- 10 Supplied with shrink sleeve 7-1196879-5, 25mm Long.
- 11 OBSOLETE PARTS: OBSOLETE CIS STREAMLINING PER D.RENAUD/D.SINISI

THIS DRAWING IS A CONTROLLED DOCUMENT FOR TYCO ELECTRONICS CORPORATION. IT IS SUBJECT TO CHANGE AND THE CONTROLLING ENGINEERING ORGANIZATION SHOULD BE CONTACTED FOR THE LATEST REVISION.

DIMENSIONS: mm	TOLERANCES UNLESS OTHERWISE SPECIFIED:
	0 PLC ± 1 PLC ± 2 PLC ± 3 PLC ± 4 PLC ± ANGLES ±
MATERIAL see table	FINISH see table

DWN B. Ienvain 02MAR2001	 Tyco Electronics CH - Switzerland - Lugano
CHK K. Mattheuws 05APR2001	
APVD R. Leeman 05APR2001	
PRODUCT SPEC -	NAME Right angle bulkhead cable jack 1.6/5.6 (75 ohm)
APPLICATION SPEC 114-71024	SIZE A3
WEIGHT -	CAGE CODE 00779
CUSTOMER DRAWING	DRAWING NO 3-1393680-0
SCALE 5:1	RESTRICTED TO -
SHEET 2	REV B1

单击下面可查看定价，库存，交付和生命周期等信息

[>>TE Connectivity\(泰科\)](#)