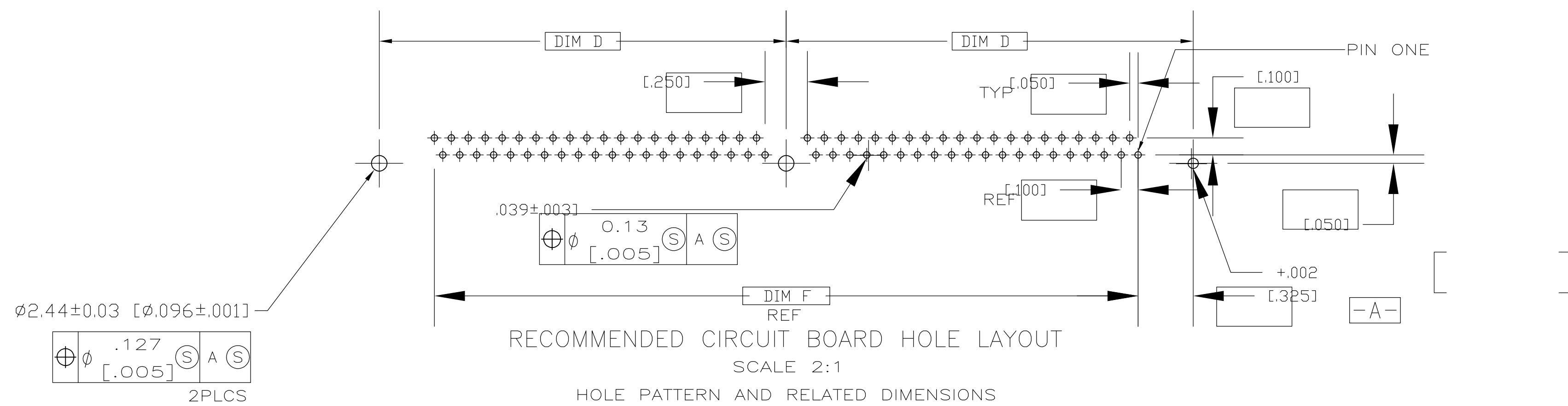


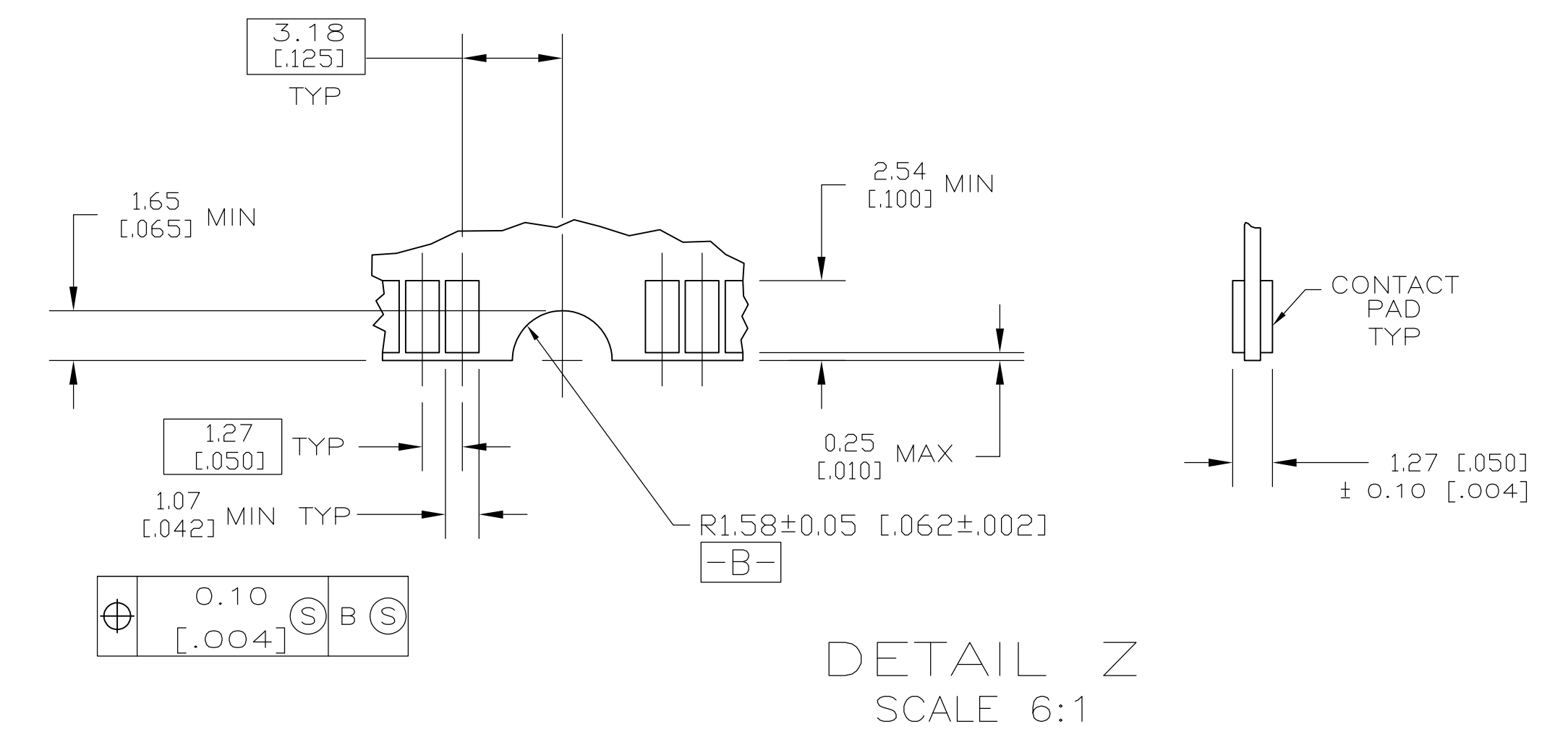
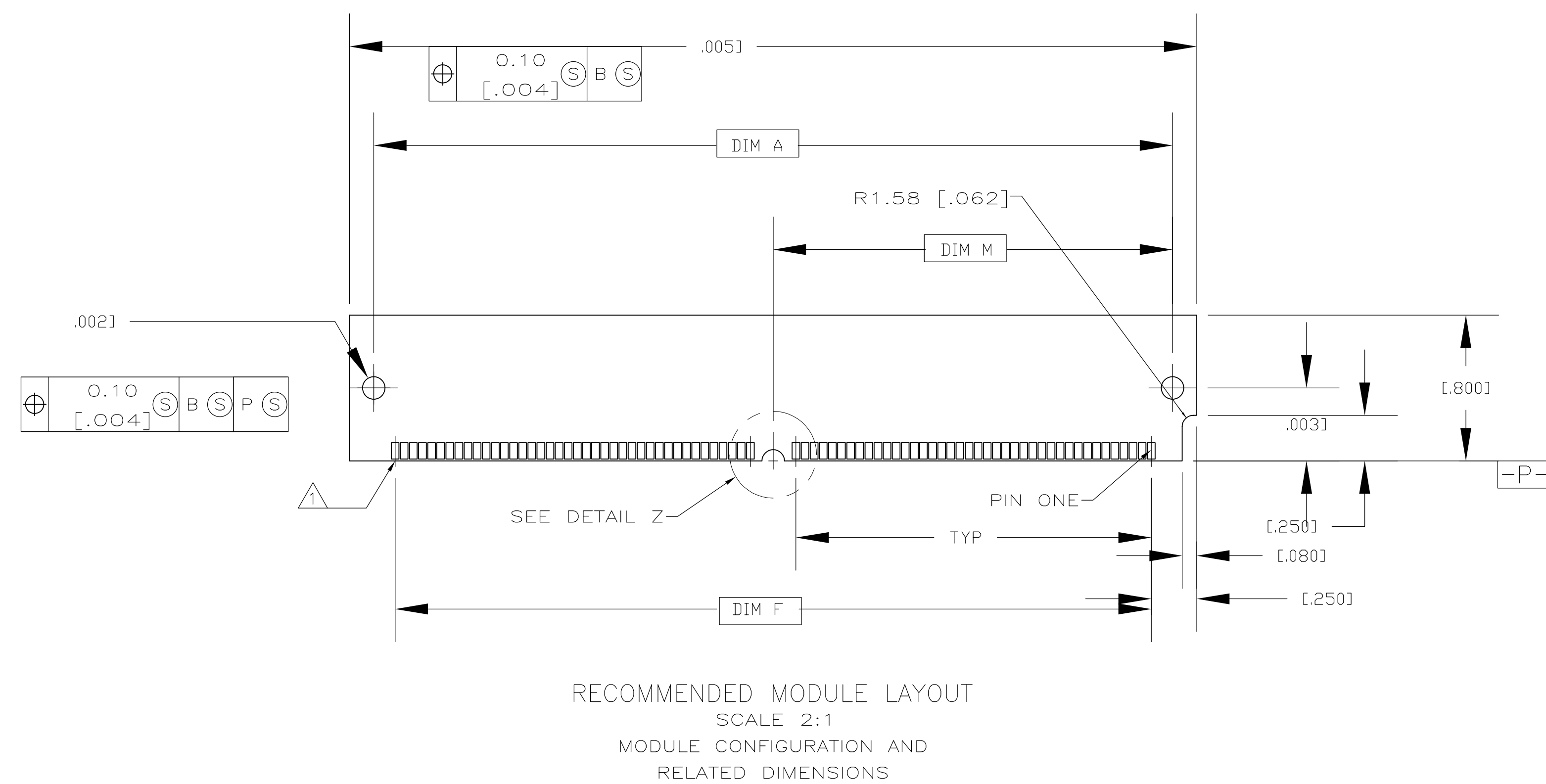
SECTION W-W  
SCALE 8:1

|  |  |  |   |
|--|--|--|---|
| THIS DRAWING IS A CONTROLLED DOCUMENT.   |  | DWN: WENKE HE 29MAR05  | <br>TE Connectivity   |
| DIMENSIONS: mm(INCHES)   |  | CHK: STEVEN YAO 29MAR05  |   |
| 0 PLC ± -<br>1 PLC ± -<br>2 PLC ± -<br>3 PLC ± 0.13(.005)<br>4 PLC ± -<br>ANGLES ± - |  | APVD: TIENOMOTO 29MAR05<br>NAME: SIMM II, RTANG,<br>1.27 [.050] ASSY,<br>6.35 [.250] HGT |   |
| MATERIAL: HSG:GLASS REINF<br>LCP (BLACK)<br>CONTACT: PHOS BRONZ                      |  | FINISH: 2  | APPLICATION SPEC: -<br>WEIGHT: -<br>SIZE: A1<br>CAGE CODE: 00779<br>DRAWING NO: C=5382487<br>SCALE: 8:1<br>SHEET: 1 OF 2<br>REV: B2 |



⚠ FOR OPTIMUM PERFORMANCE, CONTACT PAD PLATING SHOULD BE SMOOTH AND FLAT. COPPER CONTACT PADS ARE TO BE OVERPLATED WITH .00127[.000050] MIN THK NICKEL FOLLOWED WITH .00101[.000040] MIN THK GOLD PLATING.

⚠ CONTACT MATING AREA:  
0.00076 [.000030] MIN THICK GOLD.  
SOLDERTAIL: 0.00005 [.000002] MIN. THK GOLD.  
UNDERPLATE: 0.00127 [.000050] MIN. THK NICKEL OVER ENTIRE CONTACT.



|          |               |                |                |                |               |               |                |                |      |             |
|----------|---------------|----------------|----------------|----------------|---------------|---------------|----------------|----------------|------|-------------|
| OBSOLETE | 58.22 [2.292] | 127.00 [5.000] | 110.49 [4.350] | 123.19 [4.850] | 63.50 [2.500] | 52.07 [2.050] | 130.81 [5.150] | 116.43 [4.584] | 84   | 8-5382487-4 |
|          | 50.60 [1.992] | 111.76 [4.400] | 95.25 [3.750]  | 107.95 [4.250] | 55.88 [2.200] | 44.45 [1.750] | 115.57 [4.550] | 101.19 [3.984] | 72   | 7-5382487-2 |
| OBSOLETE | 48.06 [1.892] | 106.68 [4.200] | 90.17 [3.550]  | 102.87 [4.050] | 53.34 [2.100] | 41.91 [1.650] | 110.49 [4.350] | 96.11 [3.784]  | 68   | 6-5382487-8 |
| Ⓟ        | 30.28 [1.192] | 71.12 [2.800]  | 54.61 [2.150]  | 67.31 [2.650]  | 35.56 [1.400] | 24.13 [.950]  | 74.93 [2.950]  | 60.55 [2.384]  | 40   | 4-5382487-0 |
|          | DIM M         | DIM J          | DIM F          | DIM E          | DIM D         | DIM C         | DIM B          | DIM A          | POSN |             |

THIS DRAWING IS A CONTROLLED DOCUMENT.

|                        |  |                      |                        |                        |   |
|------------------------|--|----------------------|------------------------|------------------------|---|
| DIMENSIONS: mm[INCHES] | TOLERANCES UNLESS OTHERWISE SPECIFIED: | DWN: WENKE HE 29MARG | CHK: STEVEN YAO 29MARG | APVD: T ENOMOTO 29MARG | NAME: SIMM II, RTANG, 1.27 [.050] ASSY, 6.35 [.250] HGT |
| 0 PLC ± -              | 1 PLC ± -                              | 2 PLC ± -            | 3 PLC ± 0.13[.005]     | 4 PLC ± -              | APPLIC. SPEC: -   |
| ANGLES ± -             | MATERIAL: -                            | FINISH: -            | WEIGHT: -              | SIZE: A1               | CAGE CODE: 00779  |
| CUSTOMER DRAWING       |  |                      |                        | SCALE: 4:1             | SHEET: 2 OF 2   |

STE TE Connectivity

单击下面可查看定价，库存，交付和生命周期等信息

[>>TE Connectivity\(泰科\)](#)