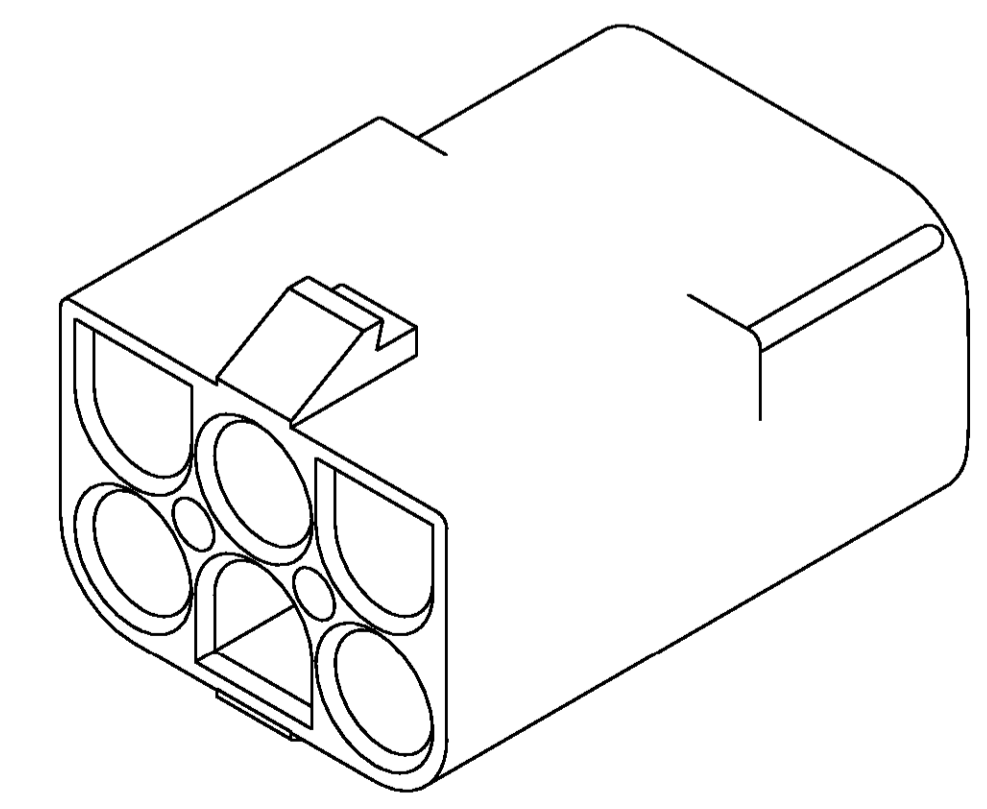
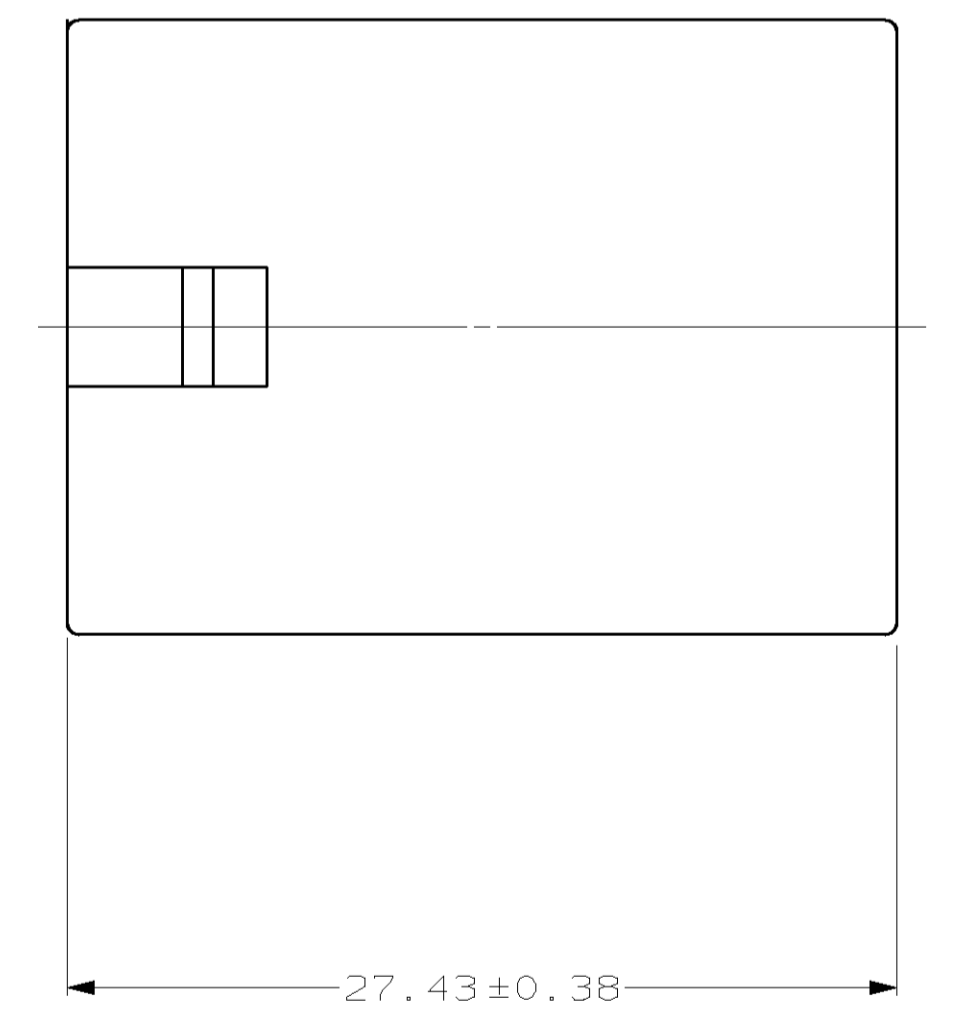
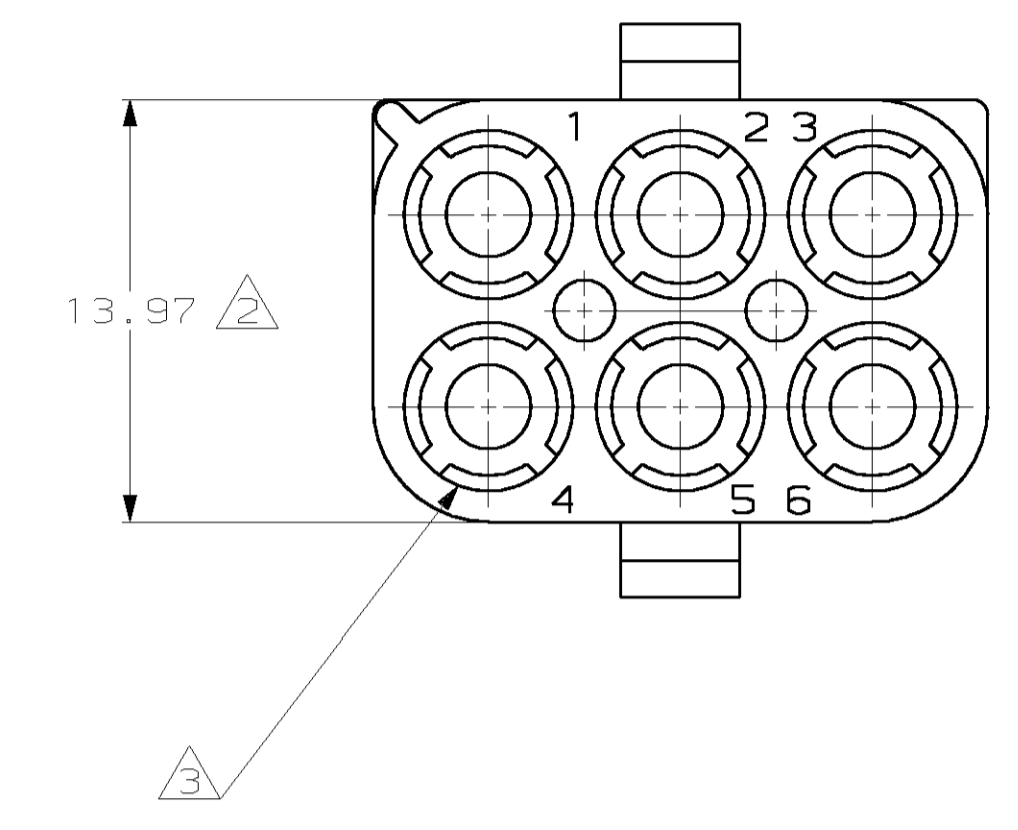
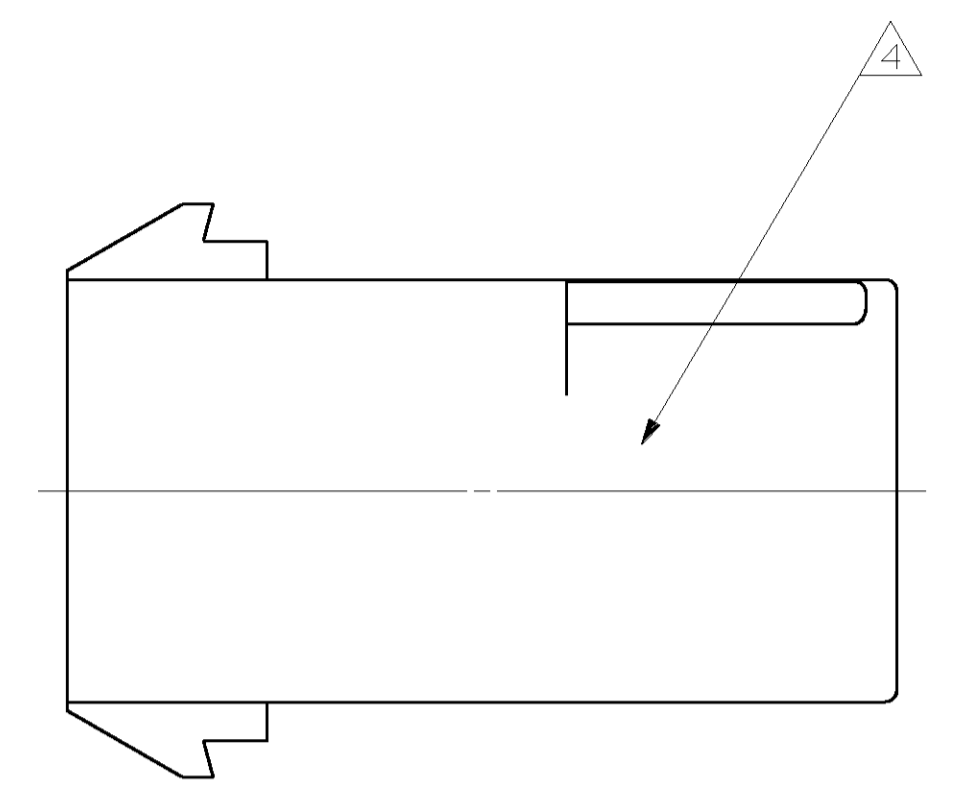
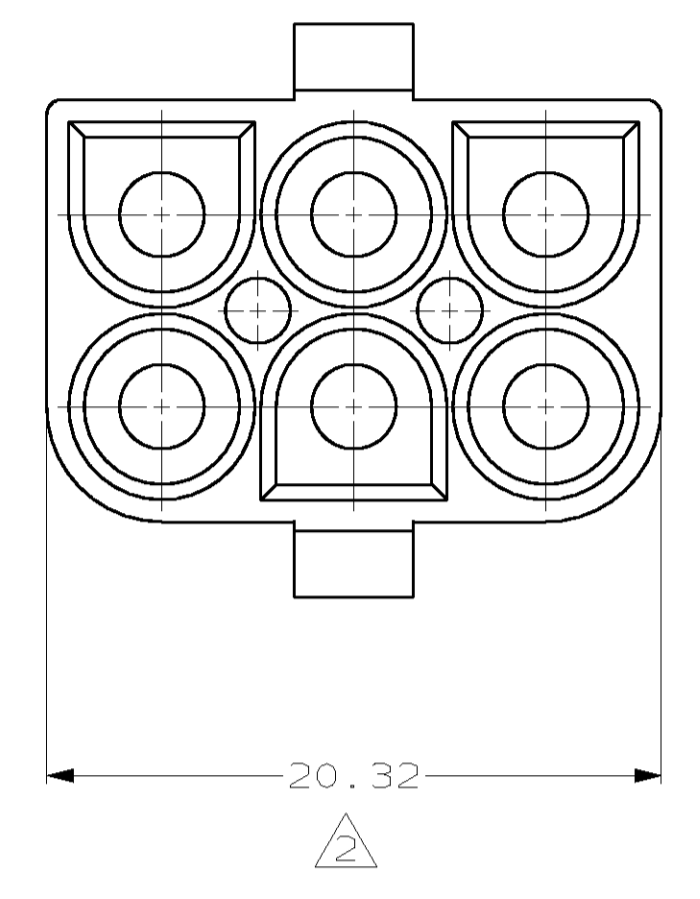


LOC	DIST	REVISIONS			
F	LYR	DESCRIPTION	DATE	DWN	APVD
0		RELEASED PER EC 0638-0389-00	09-AUG-00	KW	KC

1. MATES WITH APPROPRIATE UNIVERSAL MATE-N-LOK™ PLUG.
2. DIMENSION INDICATED IS AS MOLDED. ADDITIONAL GROWTH DUE TO SUBSEQUENT MOISTURE ABSORPTION MAY OCCUR.
3. FOUR RIBS EQUALLY SPACED, NO SPECIFIC ORIENTATION.
4. UNDERWRITER RECOGNIZED COMPONENT LOGO AND CSA CERTIFICATION LOGO TO BE LOCATED ONCE EACH ON SIDE OF HOUSING.



3-DIMENSIONAL MODEL
NTS

MM	IN
27.43	1.080
20.32	.800
13.97	.550
8.13	.320
0.38	.015
0.25	.010
0.13	.005

CONVERSION TABLE

794757-1
PART NUMBER



THIS DRAWING IS A CONTROLLED DOCUMENT.		DWN K. WHITAKER 13-MAR-2000	AMP Incorporated Harrisburg, PA 17105-3608
DIMENSIONS:		CHK M. TRULL 13-MAR-2000	
mm	TOLERANCES UNLESS OTHERWISE SPECIFIED:	APVD M. TRULL 13-MAR-2000	NAME
0 PLC	±	PRODUCT SPEC	CAP, 6 CIRCUIT, UNIVERSAL MATE-N-LOK™
1 PLC	±	APPLICATION SPEC	SIZE CAGE CODE DRAWING NO
2 PLC	±0.13	RESTRICTED TO	A1 00779 C- 794757
3 PLC	±	CUSTOMER DRAWING	SCALE 4:1 SHEET 1 OF 1 REV 0
4 PLC	±		
ANGLES	±		
MATERIAL NYLON, UL 94V-2	FINISH -	WEIGHT -	

单击下面可查看定价，库存，交付和生命周期等信息

[>>TE Connectivity\(泰科\)](#)