

THIS DRAWING IS UNPUBLISHED.

RELEASED FOR PUBLICATION

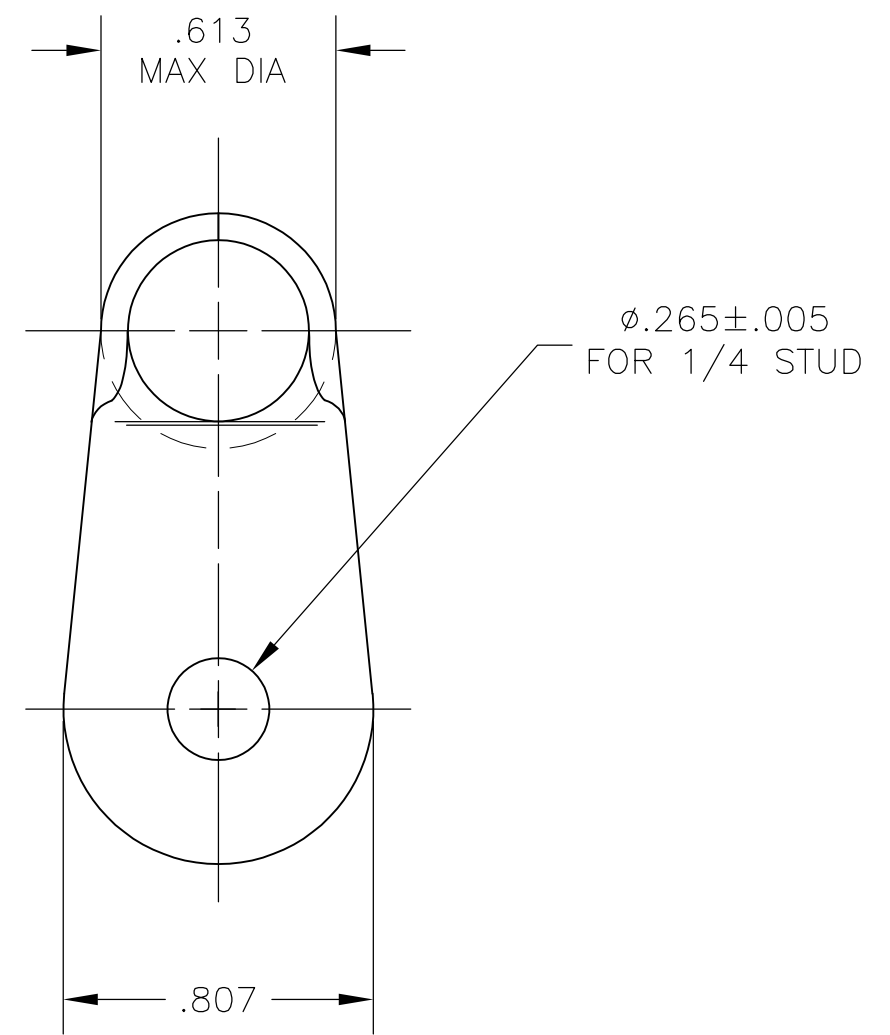
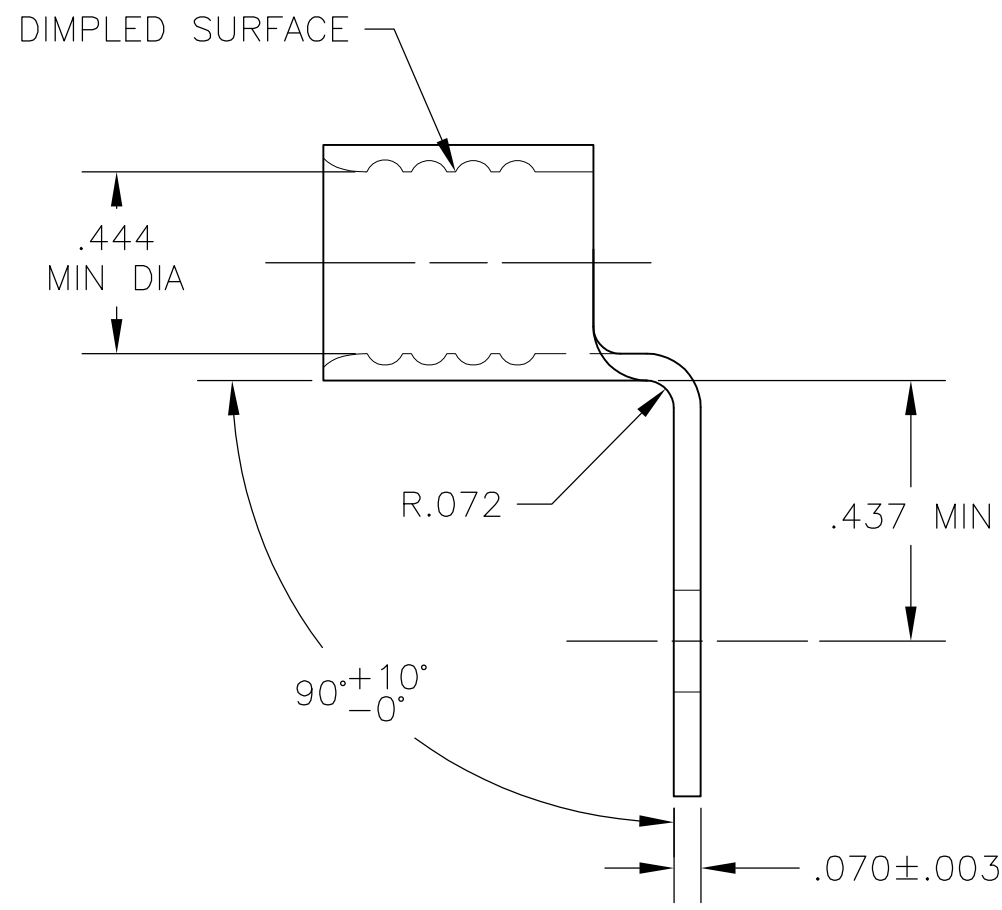
-. - .

© COPYRIGHT - By -

ALL RIGHTS RESERVED.

LOC	DIST	REVISIONS					
		P	LTR	DESCRIPTION	DATE	DWN	APVD
G	14		C1	REVISED PER ECO-12-006198	30MAR12	KH	DR

- △ 1 COPPER PER ASTM B-152, ANNEALED
- △ 2 TIN PLATE PER ASTM B-545



322905
PART NO

THIS DRAWING IS A CONTROLLED DOCUMENT.		DWN jr_ruth 07MAY04	TE Connectivity			
DIMENSIONS: INCHES		CHK MJ SPICER 07MAY04				
		APVD MJ SPICER 07MAY04	NAME			
TOLERANCES UNLESS OTHERWISE SPECIFIED: 0 PLC ± - 1 PLC ± - 2 PLC ± - 3 PLC ± .008 4 PLC ± - ANGLES ± 5°		PRODUCT SPEC	WIRE TERMINAL SOLISTRAND, RING TONGUE, BENT 90 WIRE SIZ 1/0			
MATERIAL		APPLICATION SPEC	SIZE	CAGE CODE	DRAWING NO	RESTRICTED TO
		WEIGHT	A3	00779	C-322905	-
FINISH		CUSTOMER DRAWING		SCALE	SHEET	REV
				2:1	1 OF 1	C1

单击下面可查看定价，库存，交付和生命周期等信息

[>>TE Connectivity\(泰科\)](#)