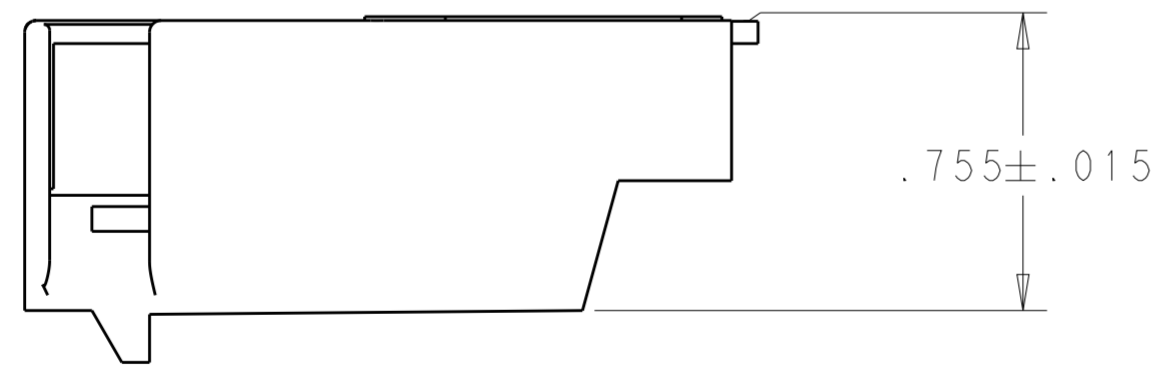
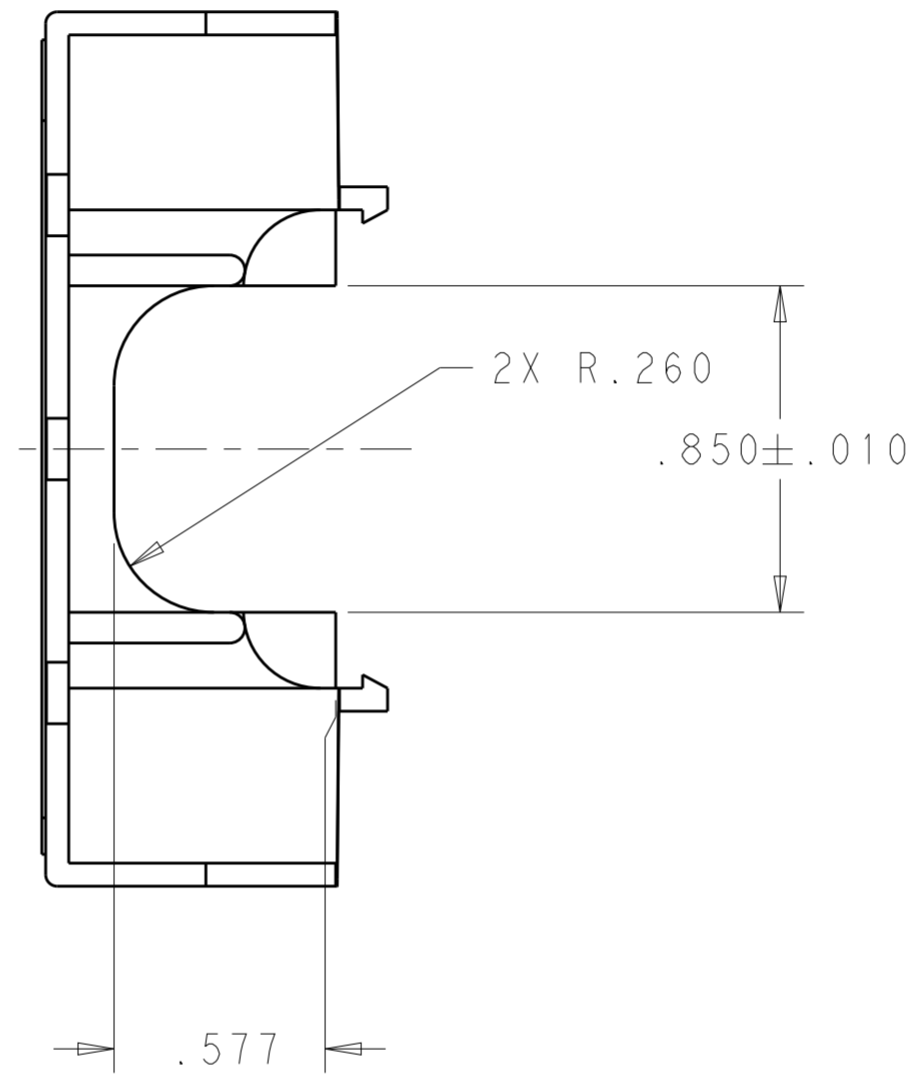
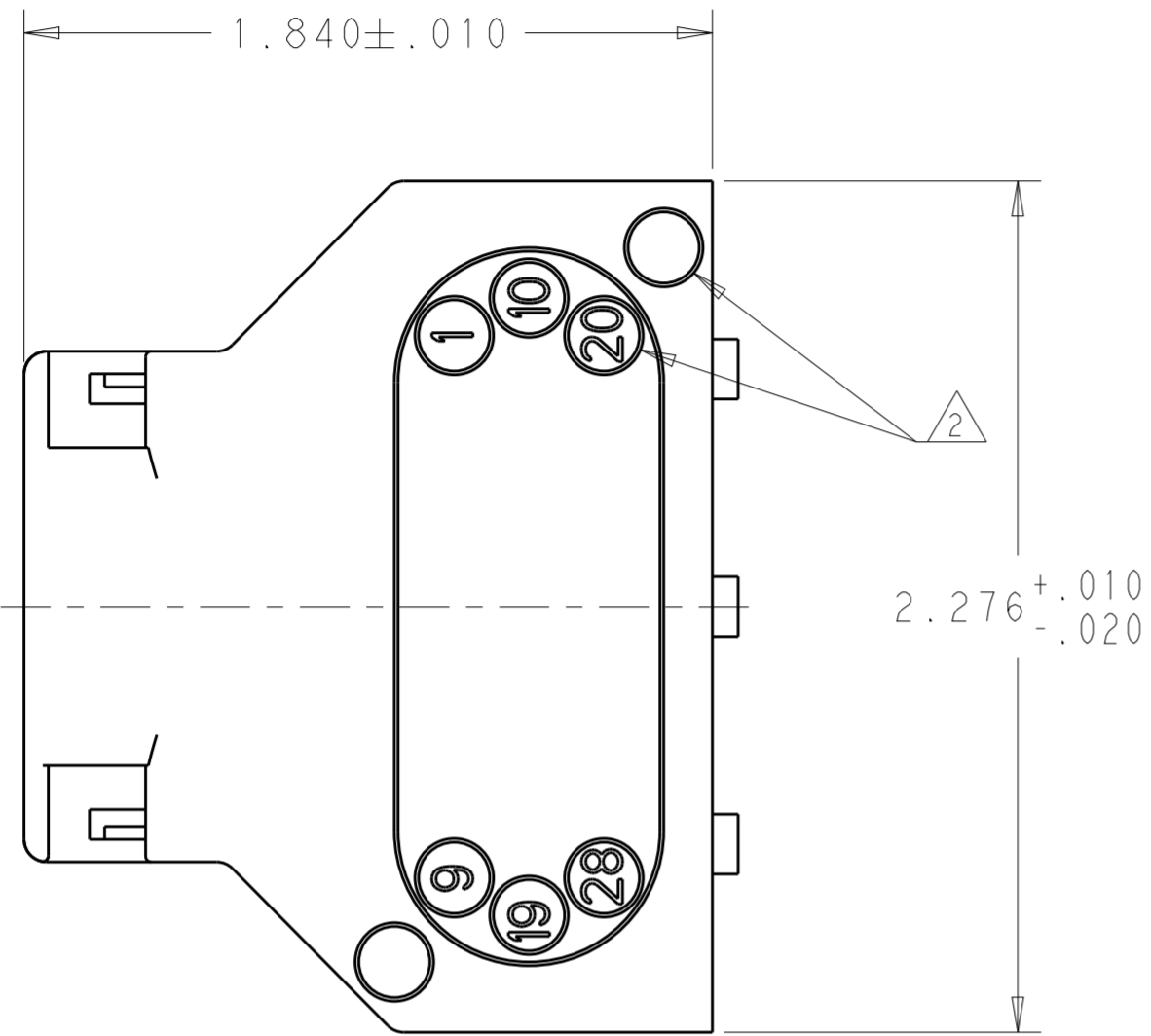


THIS DRAWING IS UNPUBLISHED. RELEASED FOR PUBLICATION 20  
 © COPYRIGHT 20 BY - ALL RIGHTS RESERVED.

LOC	DIST	REVISIONS					
CM	00	P	LTR	DESCRIPTION	DATE	DWN	APVD
			H1	REV PER ECO-12-015596	11OCT2012	RGV	DCS



- CUMMINS ELECTRONICS MUST BE INFORMED BY WAY OF A PRODUCT CHANGED IDENTIFICATION OF ALL CHANGES TO THE TE CUSTOMER DRAWINGS.
- CIRCUIT IDENTIFICATION.
- PACKAGE BULK, 100 PIECES PER.

212977-1  
PART NUMBER

THIS DRAWING IS A CONTROLLED DOCUMENT.		DWN R. VESTAL 09AUG2012	TE Connectivity	
DIMENSIONS: INCHES		CHK D. STRAUSSER 09AUG2012		
TOLERANCES UNLESS OTHERWISE SPECIFIED:		APVD D. STRAUSSER 09AUG2012	NAME COVER, STRAIN RELIEF, PLUG, 28 POSITION, ECMSC	
0 PLC ± 1 PLC ± 2 PLC ± 3 PLC ±.005 4 PLC ± ANGLES ±0° 30' FINISH		PRODUCT SPEC -	SIZE A200779	DRAWING NO C-212977
MATERIAL THERMOPLASTIC, BLACK		APPLICATION SPEC -	RESTRICTED TO -	SCALE 2:1
		WEIGHT -	SHEET 1 OF 1	REV H1
		CUSTOMER DRAWING		

单击下面可查看定价，库存，交付和生命周期等信息

[>>TE Connectivity\(泰科\)](#)