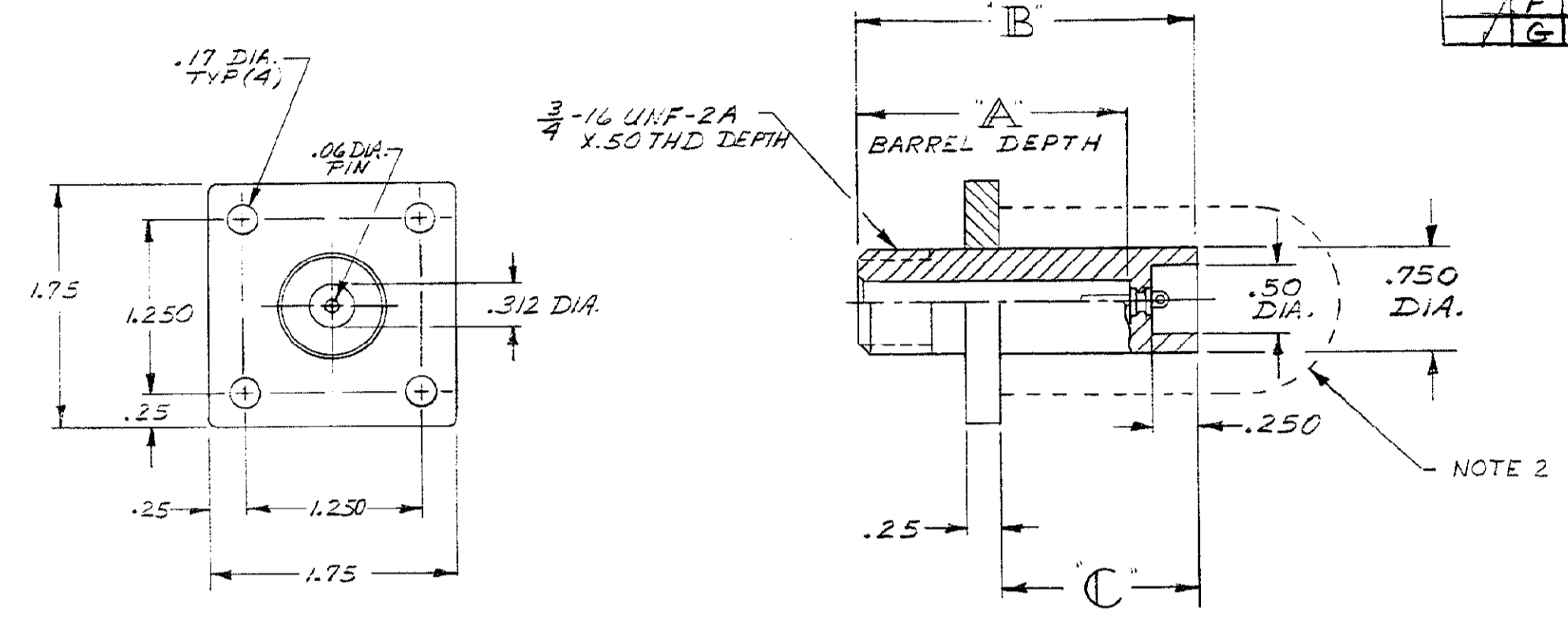


MADE IN AMERICAN PROJECTION
 BY AMP INCORPORATED. ALL RIGHTS RESERVED. AMP PRODUCTS COVERED BY PATENTS AND/OR PATENTS PENDING.

THIS DRAWING IS THE PROPERTY OF AMP INCORPORATED. NO PARTS TO BE REPRODUCED OR COPIED IN ANY MANNER WITHOUT THE WRITTEN PERMISSION OF AMP.

REVISIONS				
ZONE	LTR	DESCRIPTION	DATE	APPROVED
	A	REVISED & REDRAWN	4-14-69	Ken K.
	B	ADDED DASH 11&12	12-19-69	Ken K.
	C	PIN WAS 849439	6-5-70	Ken K.
	D	ADDED DASH 13&14	9-2-71	Ken K.
	E	OBSOLETE -1	11-18-86	R.B.
	F	OBSOLETE -1 ECN 53622	1-89	T.W.
	G	REACTIVATED -1 PERL DF-4477	4/3/91	Ken K.



PART NO	A	B	C	TERM. CONTACT PLATING		OBS
				TIN	GOLD	
840579-1	2.00	2.38	1.38	X		
840579-2	2.00	2.38	1.38		X	
840579-3	2.00	2.38	1.50	X		
840579-4	2.00	2.38	1.50		X	
840579-5	1.81	2.19	1.50	X		
840579-6	1.81	2.19	1.50		X	
840579-7	2.00	2.38	1.62	X		
840579-8	2.00	2.38	1.62		X	
840579-9	2.00	2.38	1.25	X		
1-840579-0	2.00	2.38	1.25		X	
1-840579-1	1.81	2.19	1.00	X		
1-840579-2	1.81	2.19	1.00		X	
1-840579-3	2.00	2.38	1.19	X		
1-840579-4	2.00	2.38	1.19		X	

NOTE:
 1. RECEPTACLE TO MATE WITH AMP LGH-3 LEAD ASSEMBLY, AVAILABLE SEPARATELY. WHEN ORDERING LEAD ASSEMBLY WITH RECEPTACLE, MUST SPECIFY GROUND PER JUNCTION REQUIREMENTS.
 2. CUSTOMER MUST PROTECT THE RECEPTACLES BACK END AGAINST ARC OVER & BREAK DOWN.

PRINT DIST LGH-30 DF

QTY REQ	QTY REQ	ITEM NO.	DWG SIZE	PART OR IDENTIFYING NO.	NOMENCLATURE OR DESCRIPTION	SYMBOL
-2	-1					
				CONTRACT NO.	PARTS LIST	
				DR L. GEIB 2-27-69	AMP INCORPORATED CAPITRON DIVISION ELIZABETHTOWN, PENNSYLVANIA	
				CHK	NAME FLANGED RECEPTACLE (FOR BULKHEAD APPLICATION) LGH-3	
				APPD KEN K. 3-3-69	SIZE CODE IDENT NO. NUMBER	
				APPD	C 89110	840579
				DSGN APPD	SCALE	WT SHEET
				OTHER APPD		
NEXT ASSY		FINAL ASSY	NEXT ASSY	USED ON		
QTY REQ	APPLICATION					

单击下面可查看定价，库存，交付和生命周期等信息

[>>TE Connectivity\(泰科\)](#)