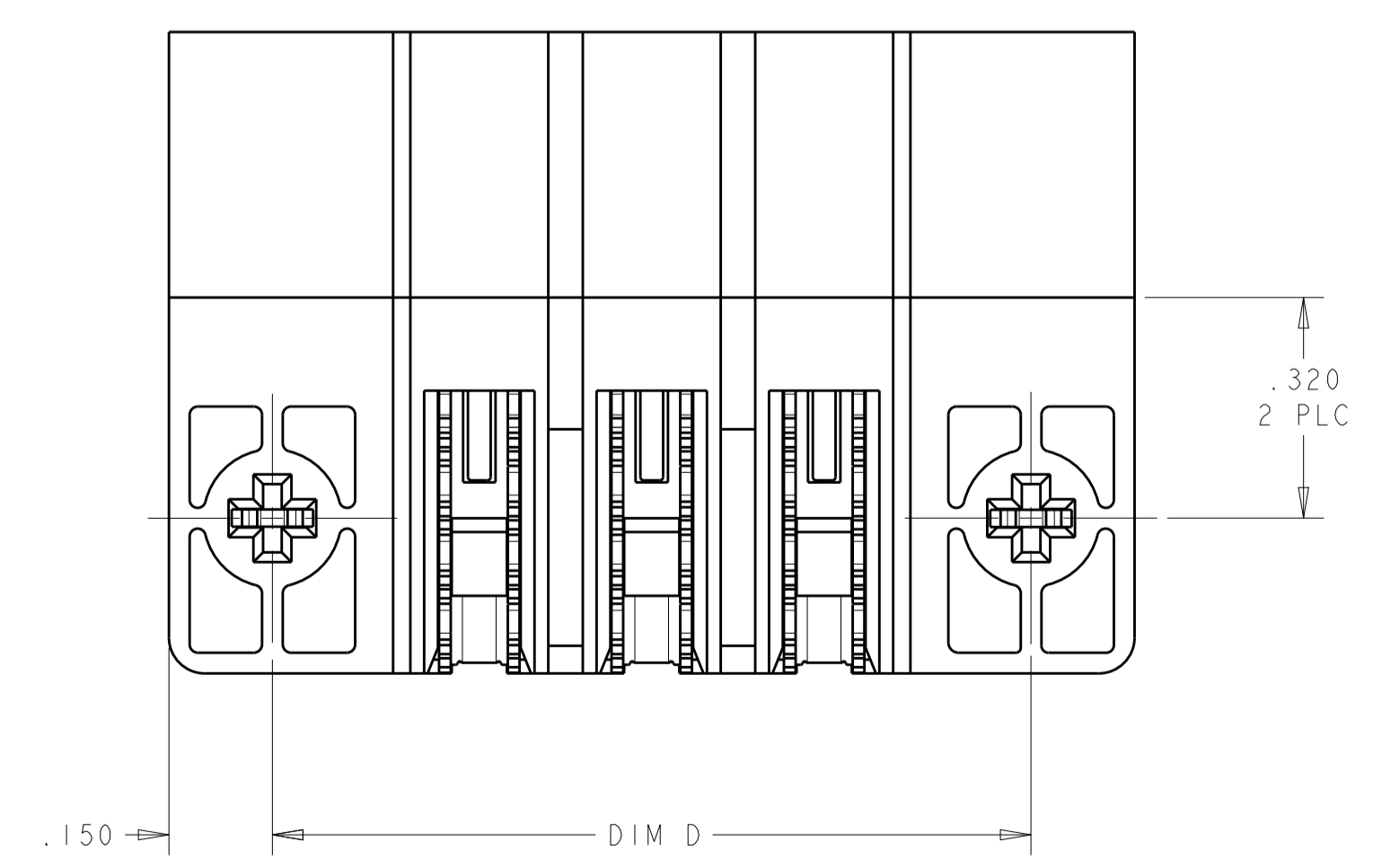
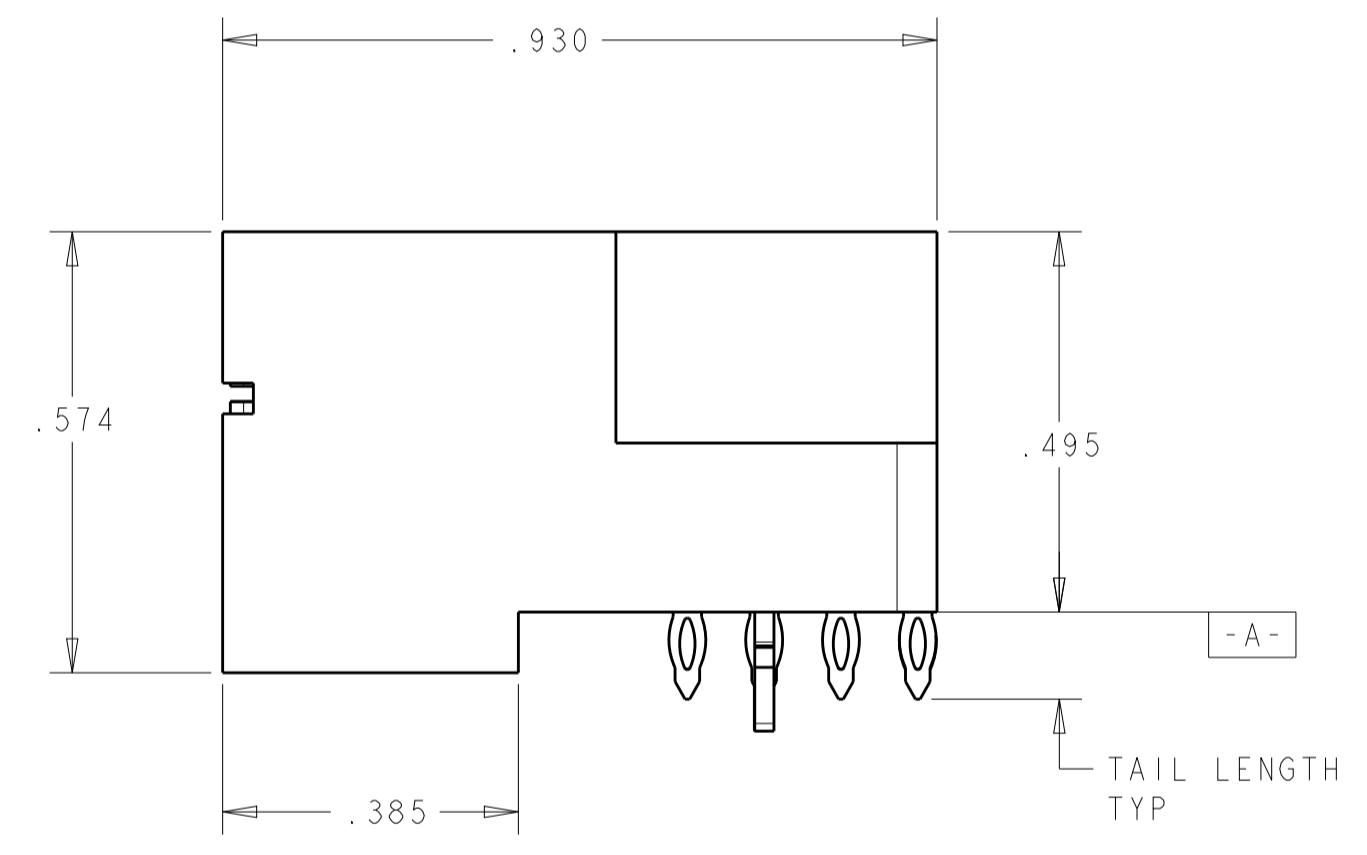
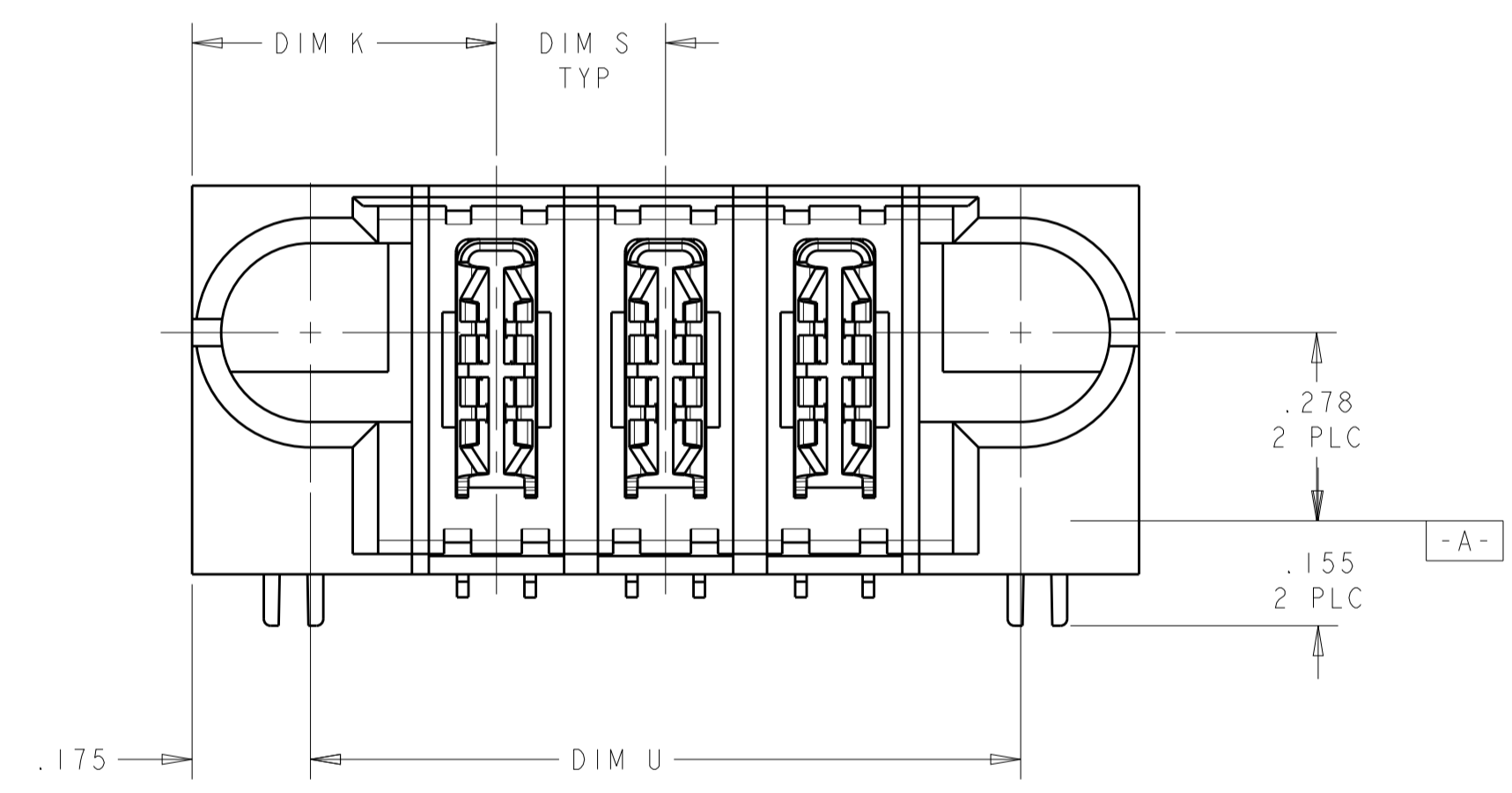
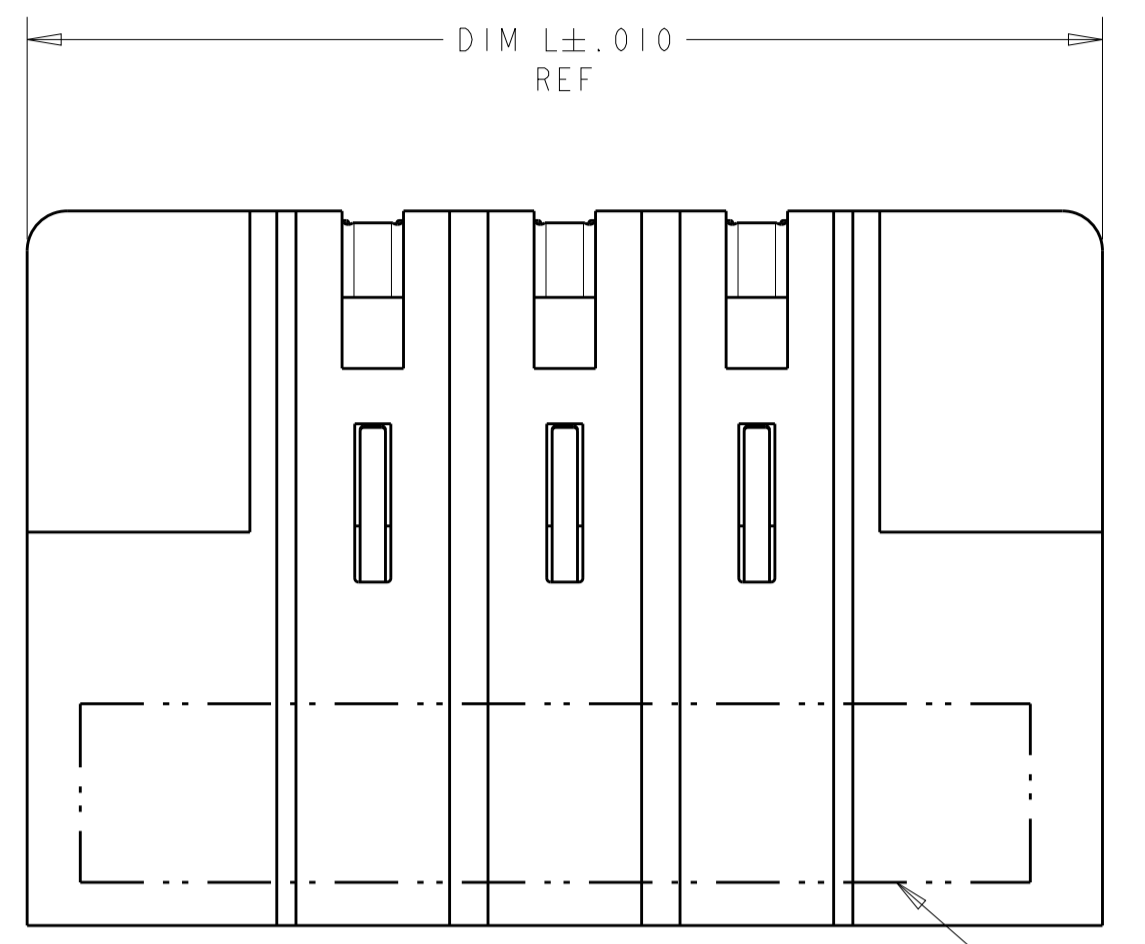


LOC		DIST		REVISIONS			
ES	00	P	LTN	DESCRIPTION	DATE	DWN	APVD
		E1		ADDED THE DASH NUMBER -12	09AUG2012	ML	SZ

- ① "AMP", PART NUMBER, AND DATE CODE TO BE MARKED IN AREA SHOWN. PARTS UNDER 2.00 LONG MAY BE MARKED ON BOTH SIDES.
- ② MATERIAL: HOUSING - GLASS FILLED HIGH TEMP THERMO PLASTIC, UL94 V-0  
POWER CONTACT - HIGH CONDUCTIVITY COPPER ALLOY
- ③ CONTACT PLATING: NOBLE METAL PLATING ON CONTACT FUNCTIONAL AREA OF POWER AND SIGNAL CONTACTS
- ④ MECHANICAL CONNECTOR KEEP OUT ZONE.
- ⑤ DATUM AND BASIC DIMENSIONS ESTABLISHED BY CUSTOMER.
- ⑥ PCB - ALL HOLE DIAMETERS ARE FINISHED HOLE SIZES.
- ⑦ PCB - .0453 +/- .0010 DRILLED HOLES PLATES WITH .0003 MIN Sn OVER .001 TO .003 PLATING TO ACHIEVE A .040 DIA. HOLE.
- ⑧ VARIABLE DIMENSION SHOW ON VIEW (SHEET 2).
- ⑨ PROPOSAL PART ONLY.



⑨	.300	1.200	1.250	.475	1.550	3ACP	1-6450523-2
⑨	.250	1.550	1.600	.450	1.900	5P	1-6450523-1
⑨	.300	1.550	1.600	.500	1.900	4ACP	1-6450523-0
⑨	.250	1.800	1.850	.450	2.150	6P	6450523-8
⑨	.250	-	-	.450	2.820	12HDP	6450523-7
⑨	.250	2.300	2.350	.450	2.650	8P	6450523-6
⑨	.250	-	-	.450	2.620	11P	6450523-5
⑧	.250	1.700	1.750	.425	2.050	6P	6450523-2
⑧	.250	1.050	1.100	.450	1.400	3P	6450523-1
	DIM S	DIM U	DIM D	DIM K	DIM L	DESCRIPTION	PART NUMBER

THIS DRAWING IS A CONTROLLED DOCUMENT. DWN: R. GRZYBOWSKI 16MAY05  
 CHK: M. PERCHERKE 16MAY05  
 APVD: M. PERCHERKE

**TE** TE Connectivity

RIGHT ANGLE HEADER ASSEMBLY  
 PRESS FIT, W/GUIDES  
 MULTI-BEAM XL

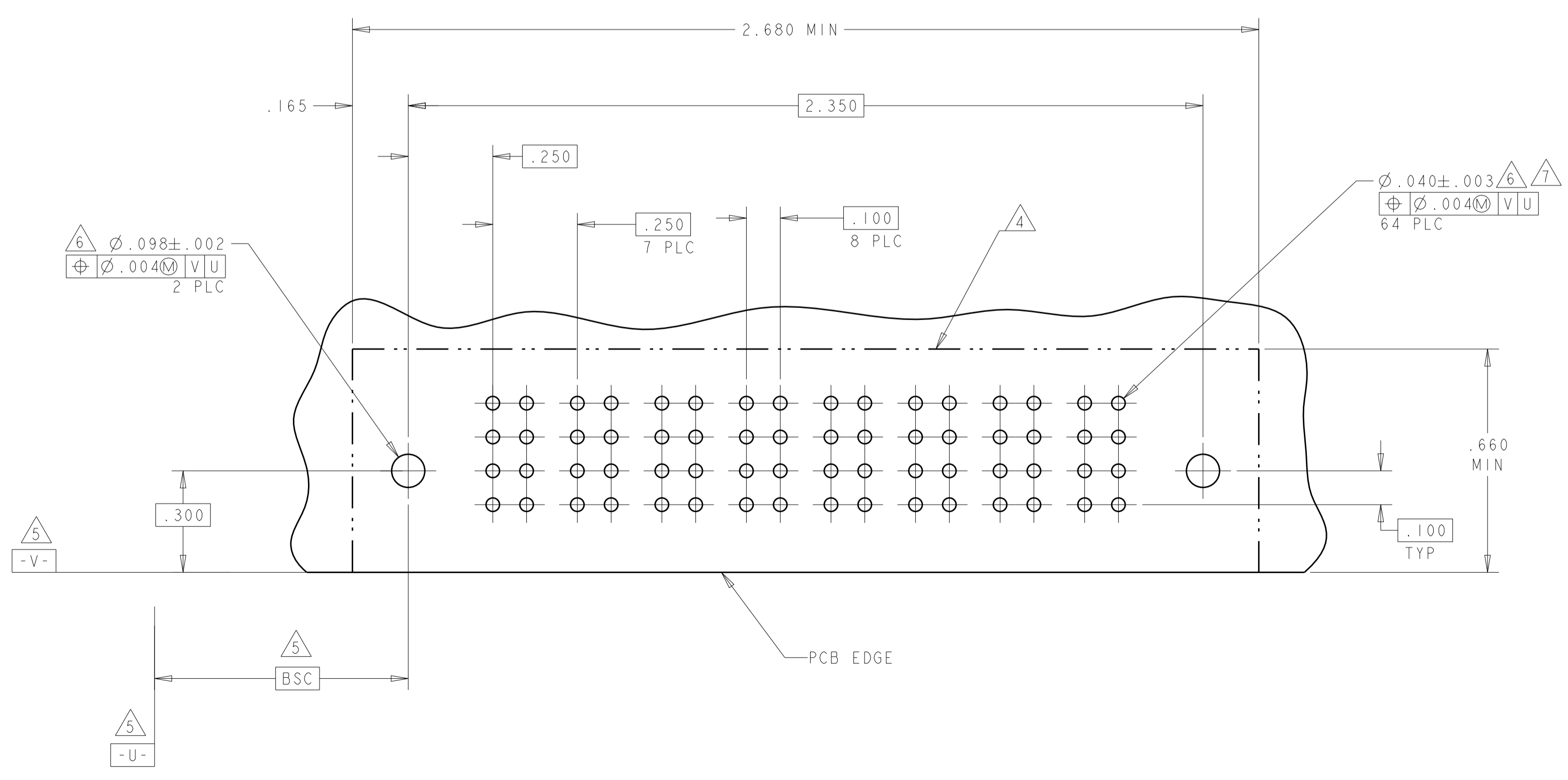
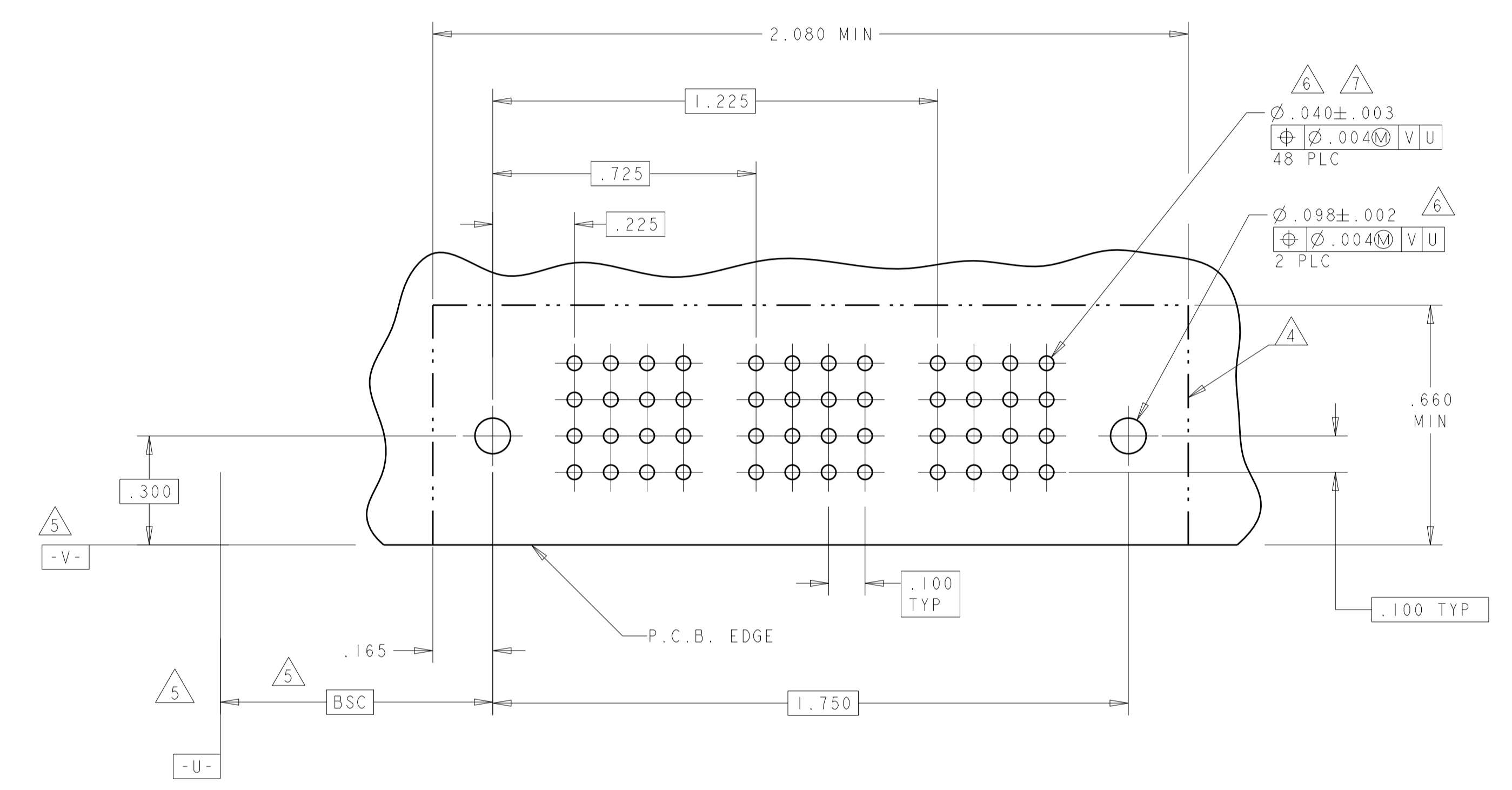
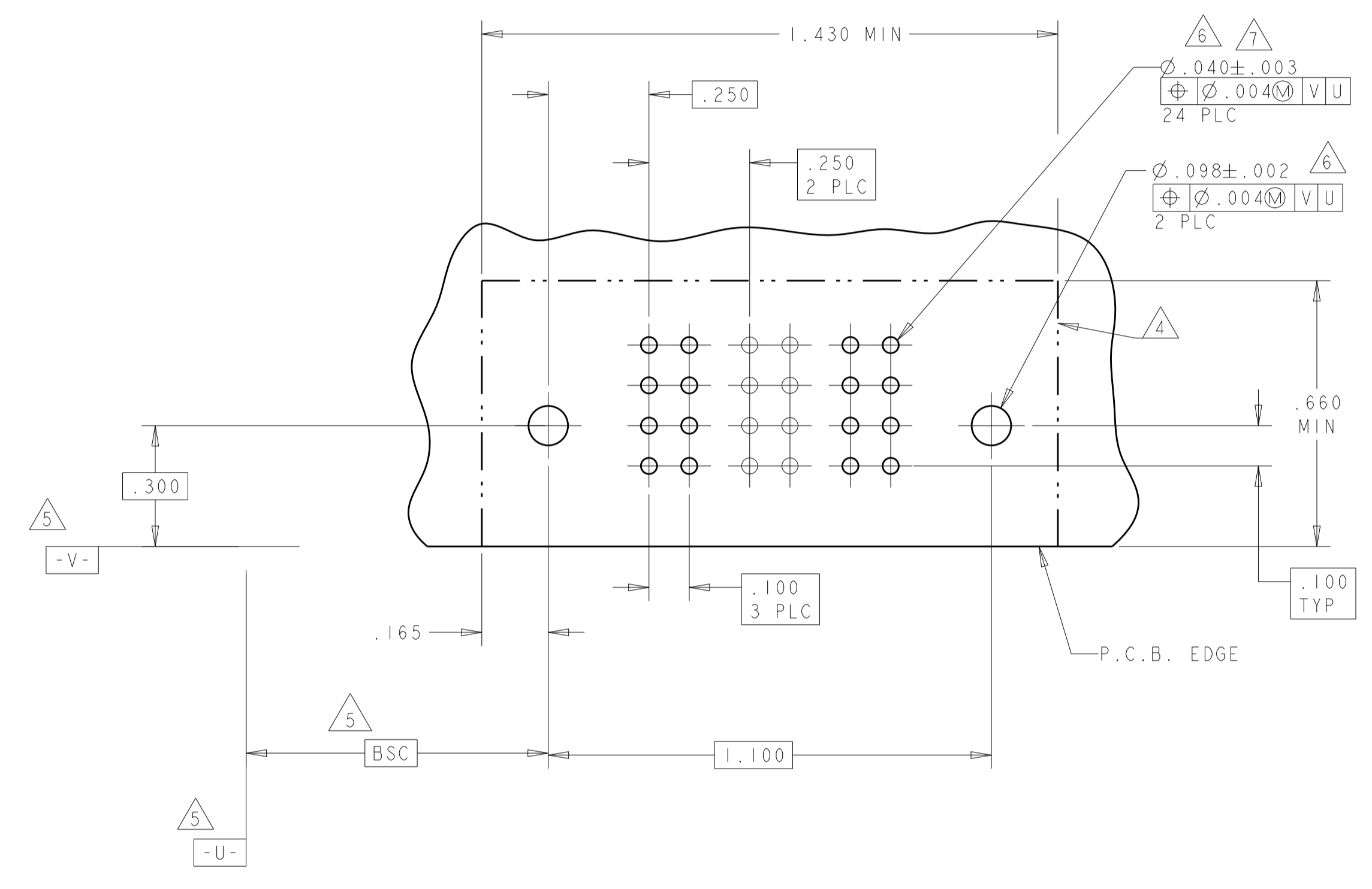
SIZE: 114-13038 CAGE CODE: 6450523  
 WEIGHT: -  
 MATERIAL: ② FINISH: ③

Customer Drawing SCALE: 3:1 SHEET 1 OF 4 REV: E1

LOC		DIST		REVISIONS			
ES	00	P	LTH	DESCRIPTION	DATE	DWN	APVD
				SEE SHEET 1			

PART NUMBER	POWER		
	P1	P2	P3
6450523-1	PT	PT	PT
3P	HD		HD

PART NUMBER	POWER					
	P1	P2	P3	P4	P5	P6
6450523-2	PT	PT	PT	PT	PT	PT
6P	HD					HD



PART NUMBER	POWER							
	P1	P2	P3	P4	P5	P6	P7	P8
6450523-6	PT	PT	PT	PT	PT	PT	PT	PT
8P	HD							HD

POWER CONTACT, STD .120 TAIL LENGTH	PT
DESCRIPTION	CODE

THIS DRAWING IS A CONTROLLED DOCUMENT. DWN: R. GRZYBOWSKI 16MAY05  
 CHK: M. PERCHERKE 16MAY05  
 APVD: M. PERCHERKE

TE Connectivity

RIGHT ANGLE HEADER ASSEMBLY  
 PRESS FIT, W/GUIDES  
 MULTI-BEAM XL

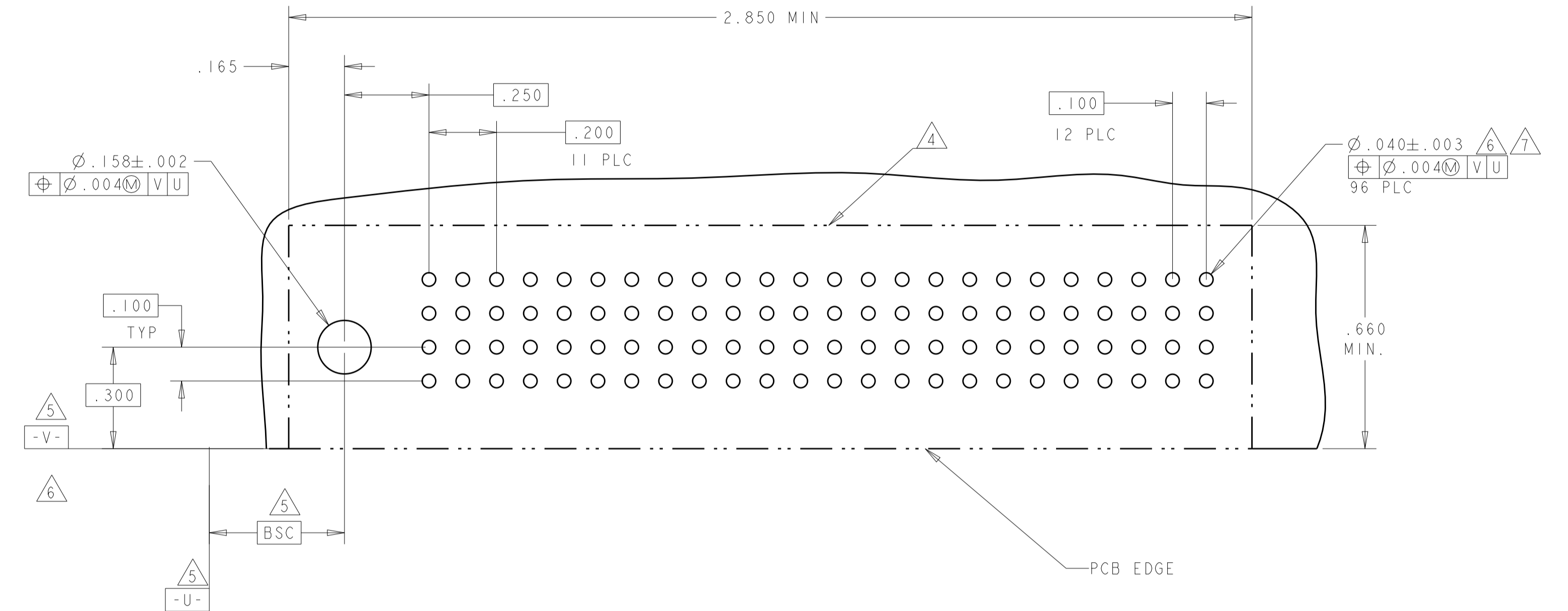
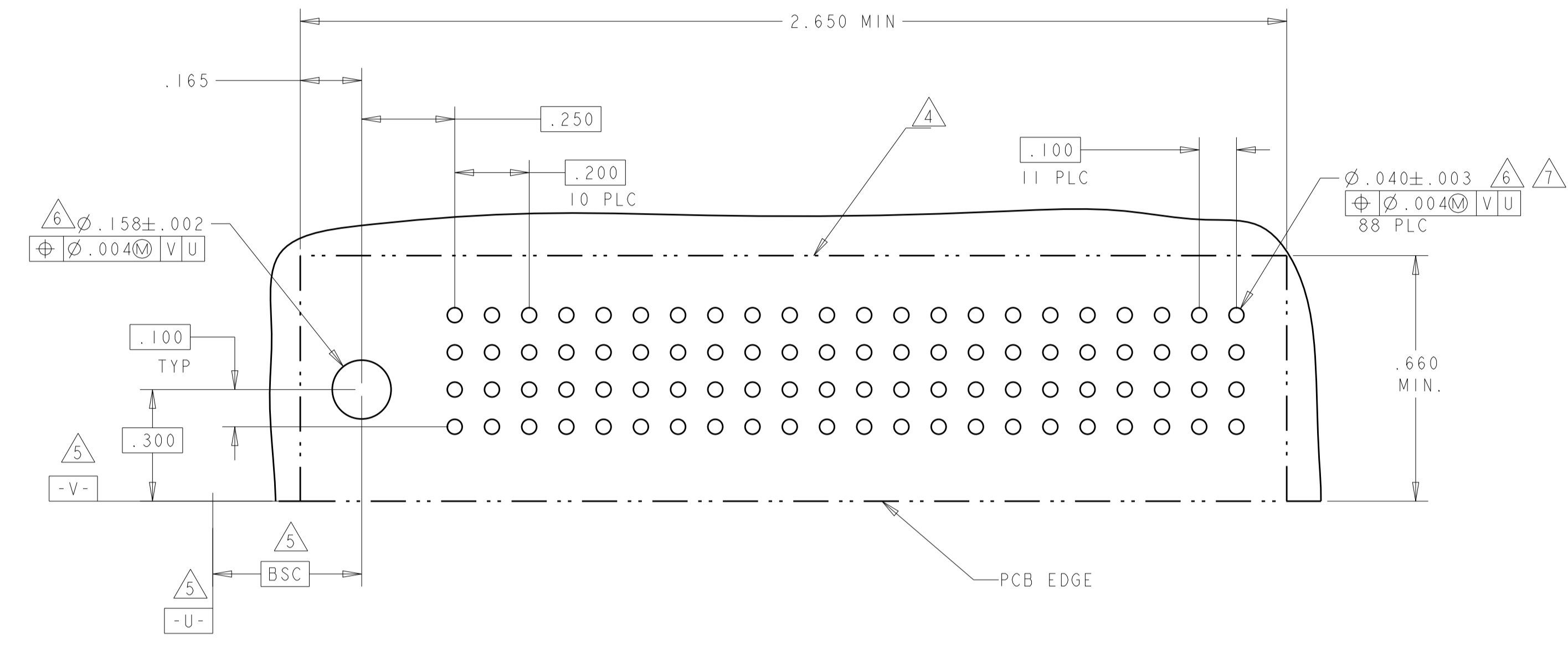
SIZE: A1 CAGE CODE: 114-13038 DRAWING NO: 6450523  
 WEIGHT: -

Customer Drawing SCALE: 3:1 SHEET: 2 OF 4 REV: E1

LOC		DIST		REVISIONS			
ES	00	REV	DATE	BY	APPV	DESCRIPTION	DATE
-	-	SEE SHEET 1	-	-	-	-	-

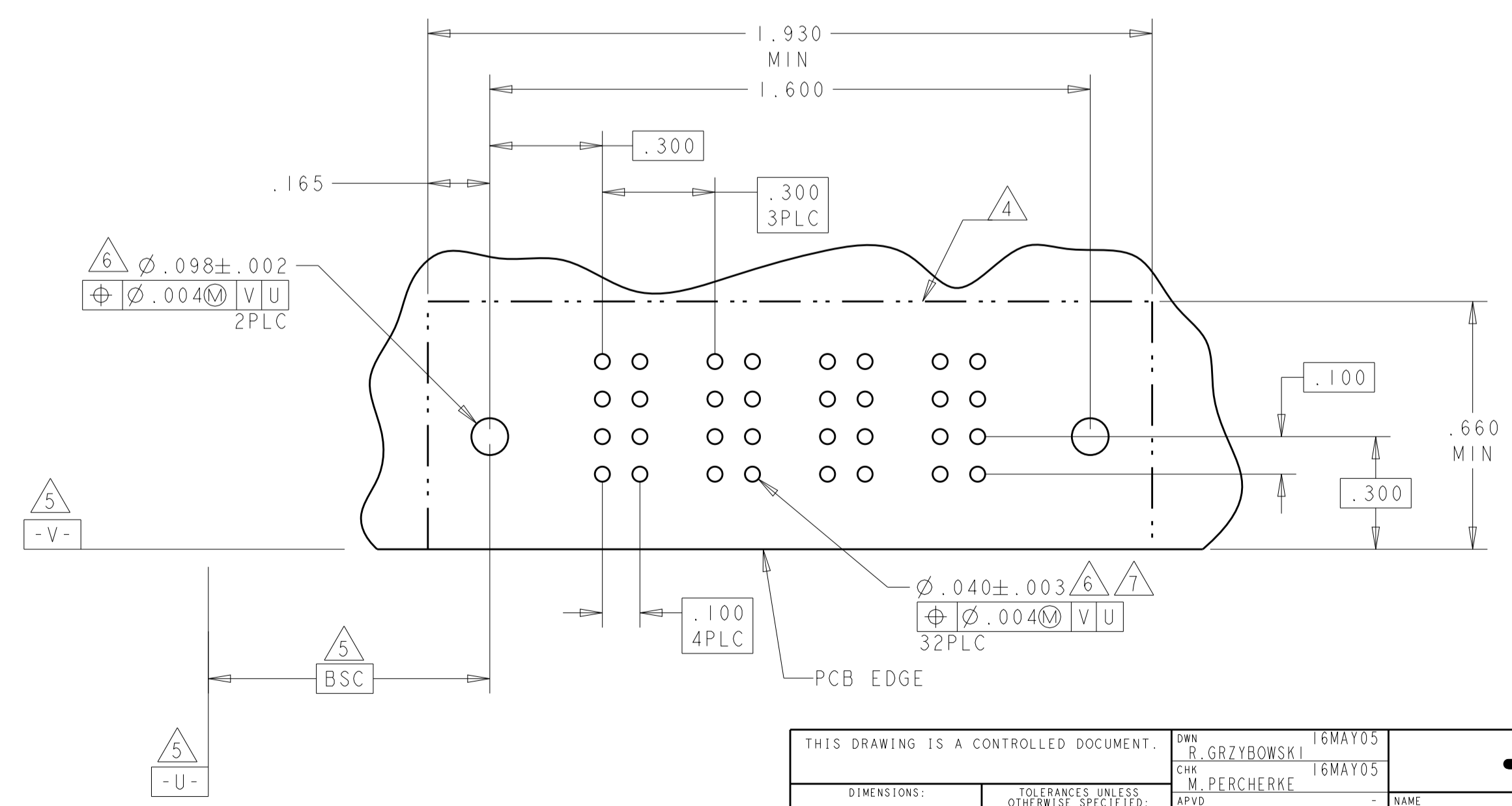
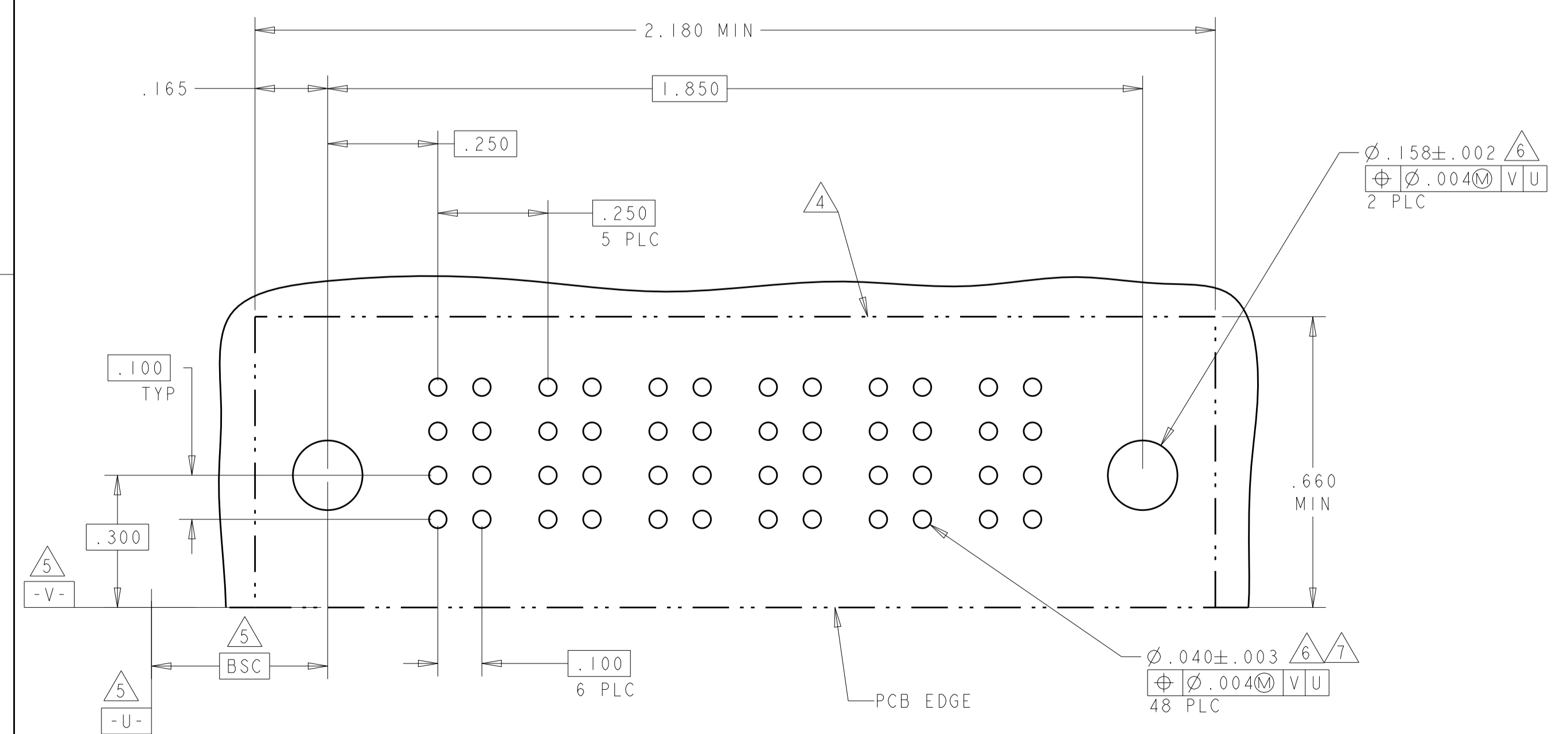
PART NUMBER	POWER										
	P1	P2	P3	P4	P5	P6	P7	P8	P9	P10	P11
6450523-5	PT	PT	PT	PT	PT	PT	PT	PT	PT	PT	PT
11HDP											

PART NUMBER	POWER											
	P1	P2	P3	P4	P5	P6	P7	P8	P9	P10	P11	P12
6450523-7	PT	PT	PT	PT	PT	PT	PT	PT	PT	PT	PT	PT
12HDP												



PART NUMBER	POWER					
	P1	P2	P3	P4	P5	P6
6450523-8	PT	PT	PT	PT	PT	PT
6P						

PART NUMBER	ROWS	POWER			
		P1	P2	P3	P4
1-6450523-0	D C B A	PT	PT	PT	PT
4ACP	HD				HD



THIS DRAWING IS A CONTROLLED DOCUMENT.

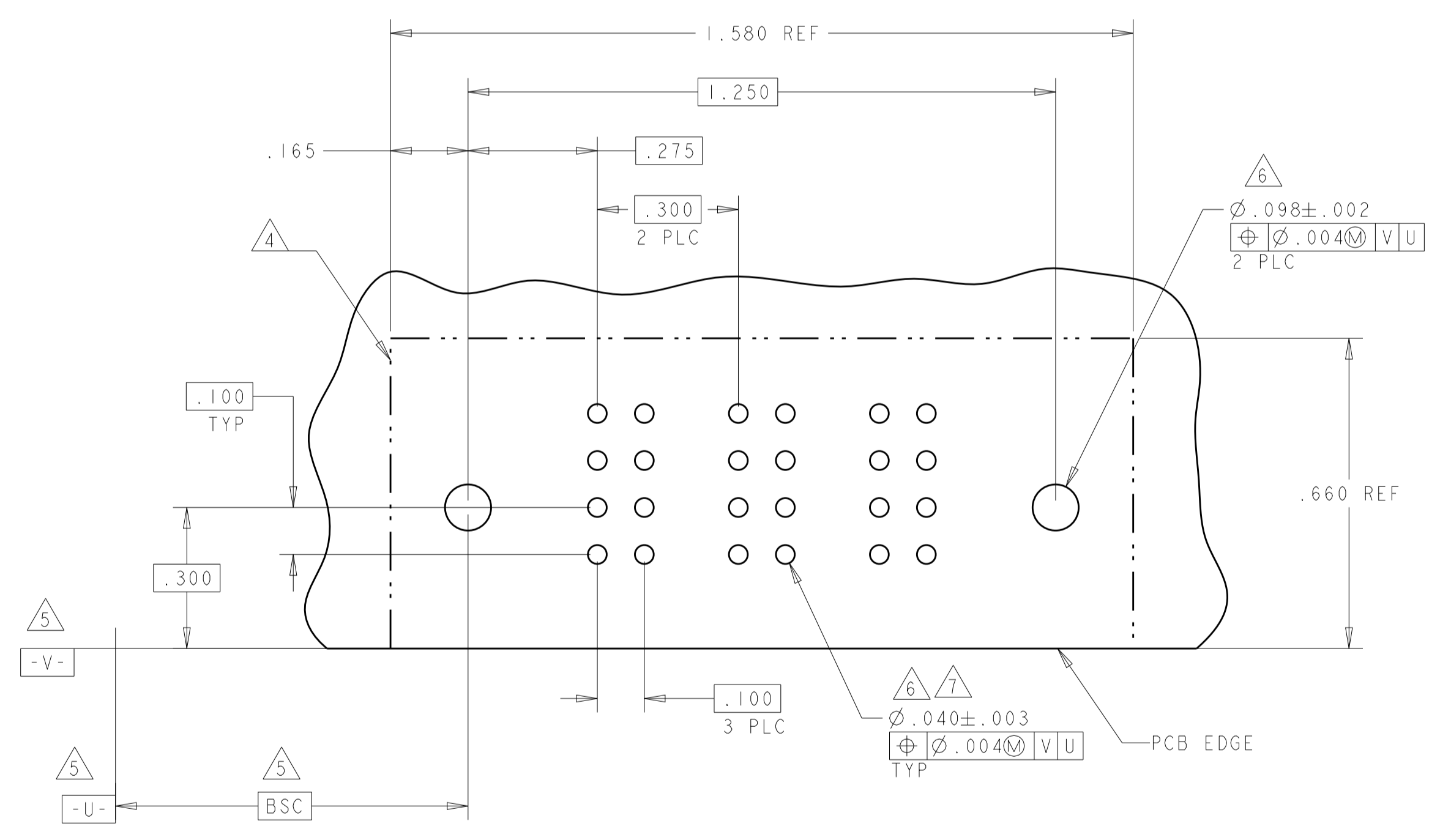
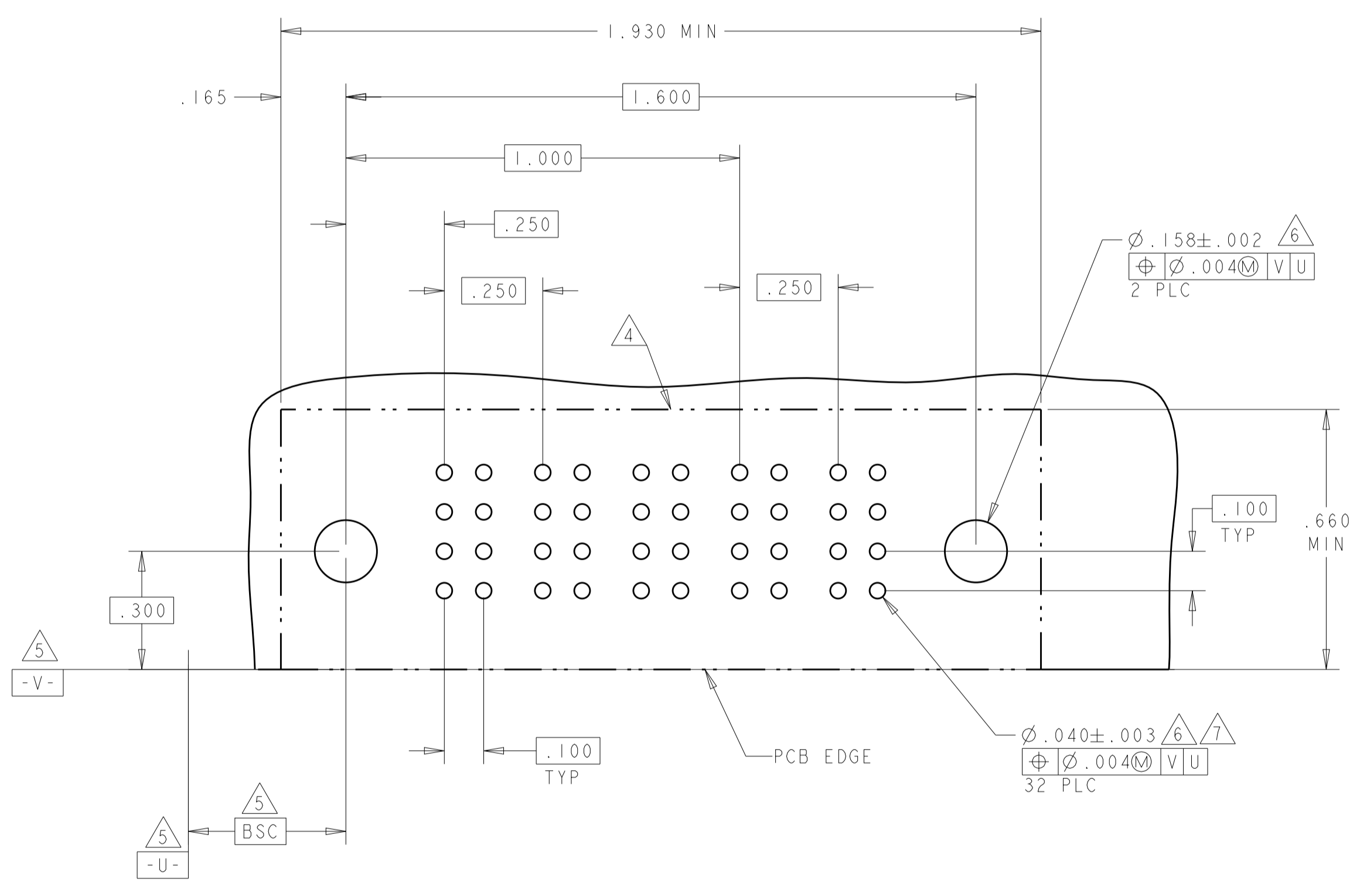
OWN: R. GRZYBOWSKI	16MAY05	 TE Connectivity
CHK: M. PERCHERKE	16MAY05	
APVD: M. PERCHERKE		
NAME: RIGHT ANGLE HEADER ASSEMBLY		
DIMENSIONS: INCHES	TOLERANCES UNLESS OTHERWISE SPECIFIED:	PRODUCT SPEC: 108-1973
0 PLC ±.01	1 PLC ±.01	APPLICATION SPEC: 114-13038
2 PLC ±.01	3 PLC ±.005	SIZE: A100779
4 PLC ±.002	5 PLC ±.002	CAGE CODE: 6450523
ANGLES ±.020	FINISH	RESTRICTED TO: -
MATERIAL: -	WEIGHT: -	Customer Drawing
SCALE: 3:1		SHEET: 3 OF 4

LOC	DIST	REV	DATE	BY	APPD
ES	00				
		DESCRIPTION		DATE	BY
		SEE SHEET 1			

PART NUMBER	ROWS	POWER				
		P1	P2	P3	P4	P5
I-6450523-1	D	PT	PT	PT	PT	PT
	C					
	B					
	A					
5P						

NO LOADED

PART NUMBER	POWER		
	P1	P2	P3
I-6450523-2	PT	PT	PT
3ACP			



THIS DRAWING IS A CONTROLLED DOCUMENT.

DIMENSIONS: INCHES	TOLERANCES UNLESS OTHERWISE SPECIFIED: 0 PLC ±. 1 PLC ±.01 2 PLC ±.005 3 PLC ±.0020 ANGLES ±.7°	FINISH	FINISH
-----------------------	--	--------	--------

OWN: R. GRZYBOWSKI 16MAY05	CHK: M. PERCHERKE 16MAY05	APVD: M. PERCHERKE	NAME: R. GRZYBOWSKI
PRODUCT SPEC: 108-1973		APPLICATION SPEC: 114-13038	
MATERIAL: -		WEIGHT: -	
Customer Drawing		SCALE: 3:1	SHEET 4 OF 4

RESTRICTED TO

单击下面可查看定价，库存，交付和生命周期等信息

[>>TE Connectivity\(泰科\)](#)