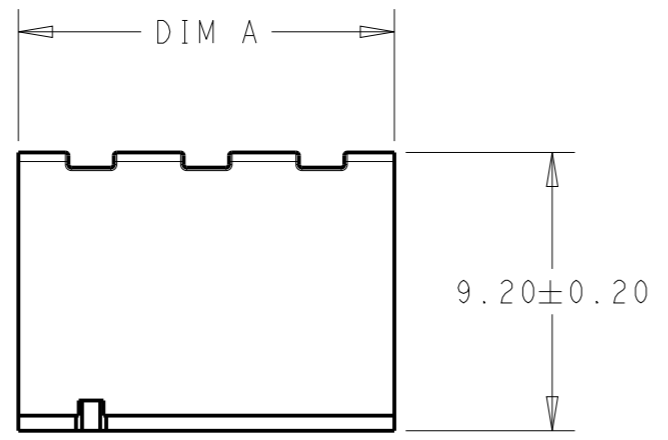
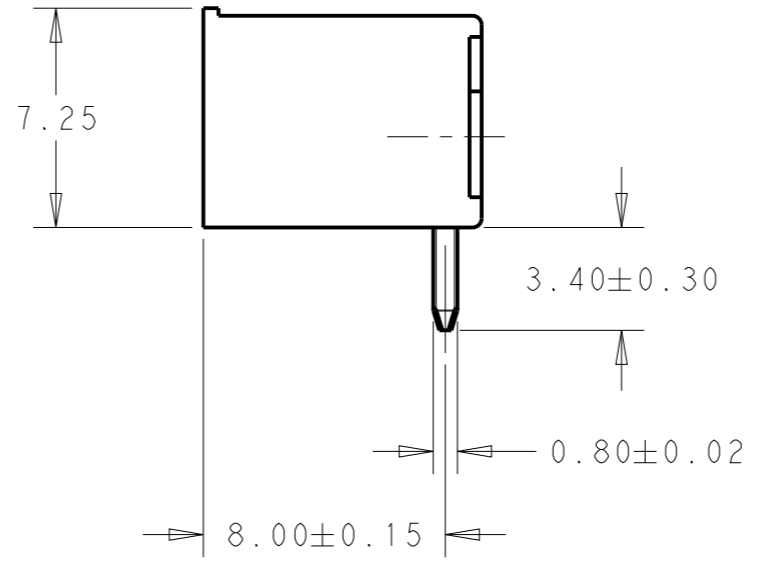
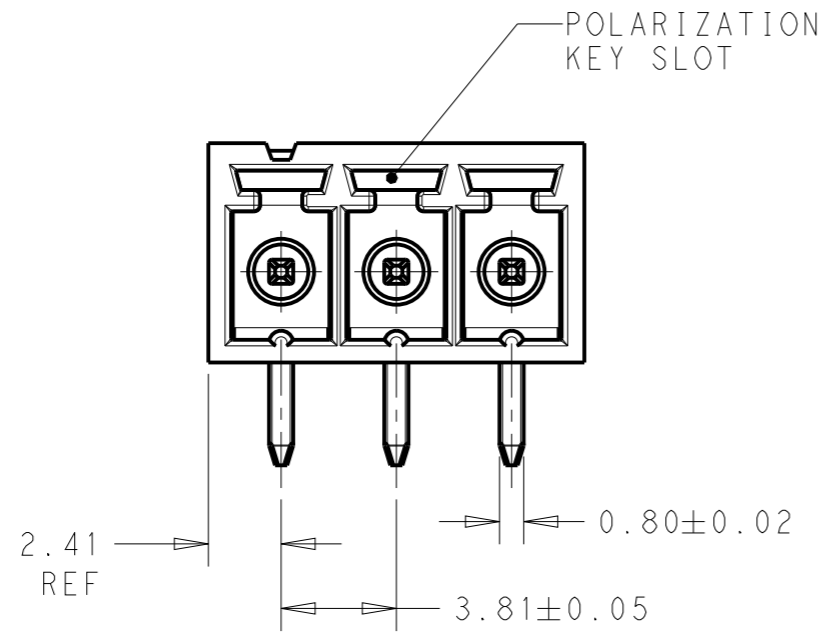


THIS DRAWING IS UNPUBLISHED. RELEASED FOR PUBLICATION 20
 © COPYRIGHT 20 BY - ALL RIGHTS RESERVED.

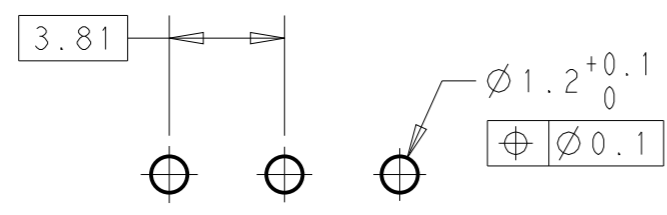
REVISIONS					
P	LTR	DESCRIPTION	DATE	DWN	APVD
	A	REVISED PER ECO-14-009591	07OCT2014	NK	MM



- 1 MATERIALS AND FINISH:
 HOUSING: HIGH TEMPERATURE POLYAMIDE, UL94V-0
 COLOR: BLACK.
 TERMINAL: PHOSPHOR BRONZE, TIN PLATED.
- 2 SUITABLE FOR 1.6-2.4mm PC BOARD THICKNESS.
- 3 UL RATING: 300V, 11A.



46.73	12	1-1776135-2
42.92	11	1-1776135-1
39.11	10	1-1776135-0
35.30	9	1776135-9
31.49	8	1776135-8
27.68	7	1776135-7
23.87	6	1776135-6
20.06	5	1776135-5
16.25	4	1776135-4
12.44	3	1776135-3
8.63	2	1776135-2
DIM A	NO OF POS.	PART NUMBER



RECOMMENDED PC BOARD LAYOUT

THIS DRAWING IS A CONTROLLED DOCUMENT.		DWN S. SCHLEGEL 06JAN2010	TE Connectivity	
DIMENSIONS: mm		CHK C RICHARD 06JAN2010		
TOLERANCES UNLESS OTHERWISE SPECIFIED:		APVD C RICHARD 06JAN2010	NAME TERMINAL BLOCK HEADER ASSEMBLY, 90 DEGREE, CLOSED ENDS, 3.81mm PITCH	
0 PLC ±-	±0.3	PRODUCT SPEC	-	
1 PLC ±-	±0.25	APPLICATION SPEC	-	
2 PLC ±-	±-	WEIGHT	-	
3 PLC ±-	±-	CUSTOMER DRAWING	-	
4 PLC ANGLES ±-	±2°	SCALE	4:1	SHEET 1 OF 1
MATERIAL	FINISH	RESTRICTED TO	-	
1	-	REV	A	

单击下面可查看定价，库存，交付和生命周期等信息

[>>TE Connectivity\(泰科\)](#)