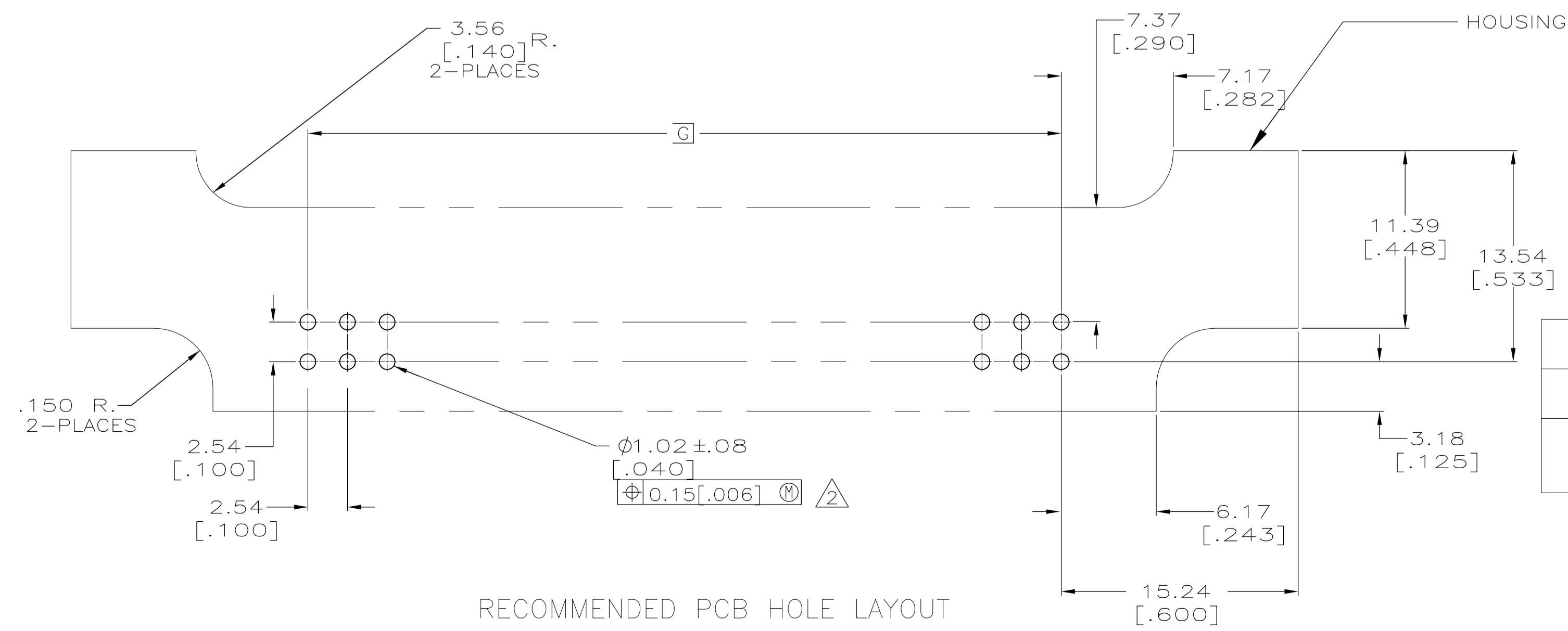


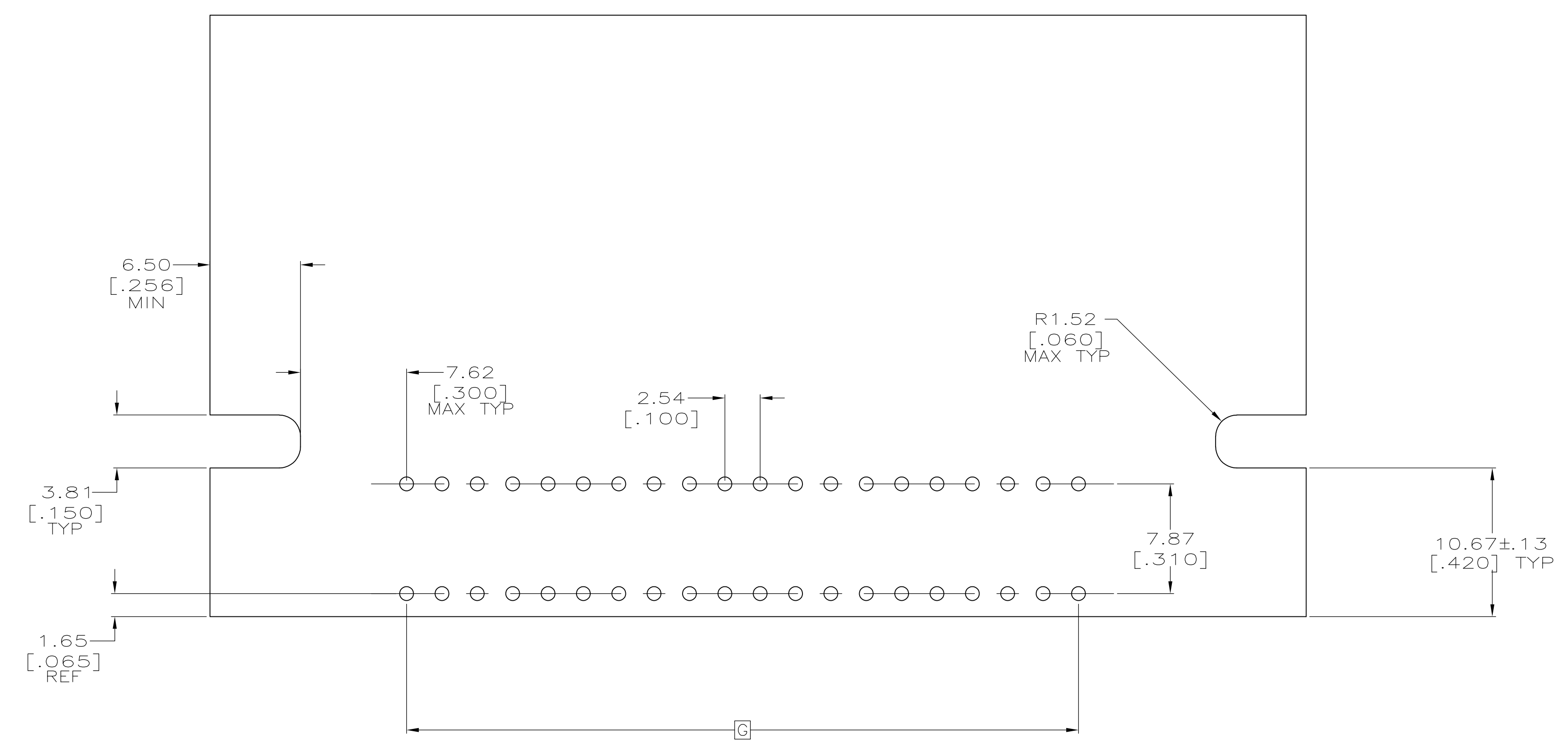
- △ FINISH OVER INDICATED AREA: 0.000762[.000030] MIN GOLD OVER 0.00127[.000050] NICKEL. MEETS EIA-364-53 POROSITY, MEAS. AREA .130 FROM TIP.
- △ FINISH OVER INDICATED AREA: 0.00254[.000100]-0.00635[.000250] MATTE OR BRIGHT TIN-LEAD OVER 0.00127[.000050] NICKEL.
- △ DATE CODE EITHER SIDE, WITH COUNTRY OF ORIGIN IF APPLICABLE.
- △ "VRM Header" MOLDED INTO BOTH SIDES OF HOUSING. WITH MATTE BACKGROUND.
- △ MATERIAL: GLASS FILLED VO THERMOPLASTIC COLOR: BLACK
- 6. RESTRICTED TO INTEL VRM PROGRAM
- △ VOID CORING OPTIONAL IN THIS AREA.
- △ FINISH OVER INDICATED AREA 0.00254-0.00635 (.000100-.000250) MATTE TIN OVER 0.00127 (.000050) NICKEL. MEETS EIA-364-53 POROSITY, MEAS. AREA .130 FROM TIP.
- △ ROHS 2002/95/EC COMPLIANT.



△1△8	48.26 [1.900]	70.61 [2.780]	57.65 [2.270]	78.74 [3.100]	58.42 [2.300]	48.26 [1.900]	19	40	△9	5-146315-1
△1△2	48.26 [1.900]	70.61 [2.780]	57.65 [2.270]	78.74 [3.100]	58.42 [2.300]	48.26 [1.900]	19	40		146315-1
FINISH	G	F	E	D	C	B	A	NO OF POSN		PART NUMBER

THIS DRAWING IS A CONTROLLED DOCUMENT.

DIMENSIONS: mm	TOLERANCES UNLESS OTHERWISE SPECIFIED:	DWN: KNAUB 1-21-95	CHK: H PALEY 1-21-95	APPROV: H PALEY 1-21-95	NAME: Tyco Electronics Corporation Harrisburg, PA 17105-3608
0 PLC ± -	1 PLC ± .010	2 PLC ± .005	3 PLC ± .0005	4 PLC ± .0005	ANGLES ± 9° 30'
MATERIAL: △5	FINISH: SEE TABLE	SIZE: A1	CAGE CODE: 00779	DRAWING NO: 146315	REVISIONS: E
CUSTOMER DRAWING			SCALE: 4:1	SHEET: 1 OF 2	REV: E



THIS DRAWING IS A CONTROLLED DOCUMENT.		DWN	J. KNAUB	1-21-95	Tyco Electronics Corporation Harrisburg, PA 17105-3608
		CHK	H. PALEY	1-21-95	
		APP'D	H. PALEY	1-21-95	NAME
		DIMENSIONS: mm 0. PLC ± - 1. PLC ± - 2. PLC ± .010 3. PLC ± .005 4. PLC ± .0005 ANGLES ± - FINISH SEE TABLE			PRODUCT SPEC APPLICATION SPEC SIZE: A1 CAGE CODE: 00779 DRAWING NO: 146315
MATERIAL: 5		CUSTOMER DRAWING			RESTRICTED TO: -
		SCALE: 4:1		SHEET: 2 OF 2	REV: E

单击下面可查看定价，库存，交付和生命周期等信息

[>>TE Connectivity\(泰科\)](#)