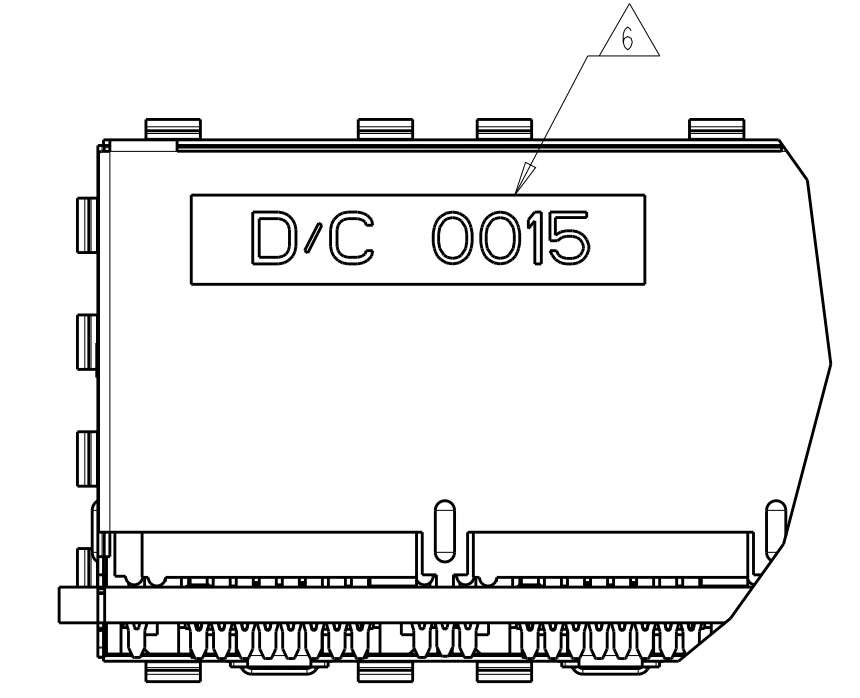
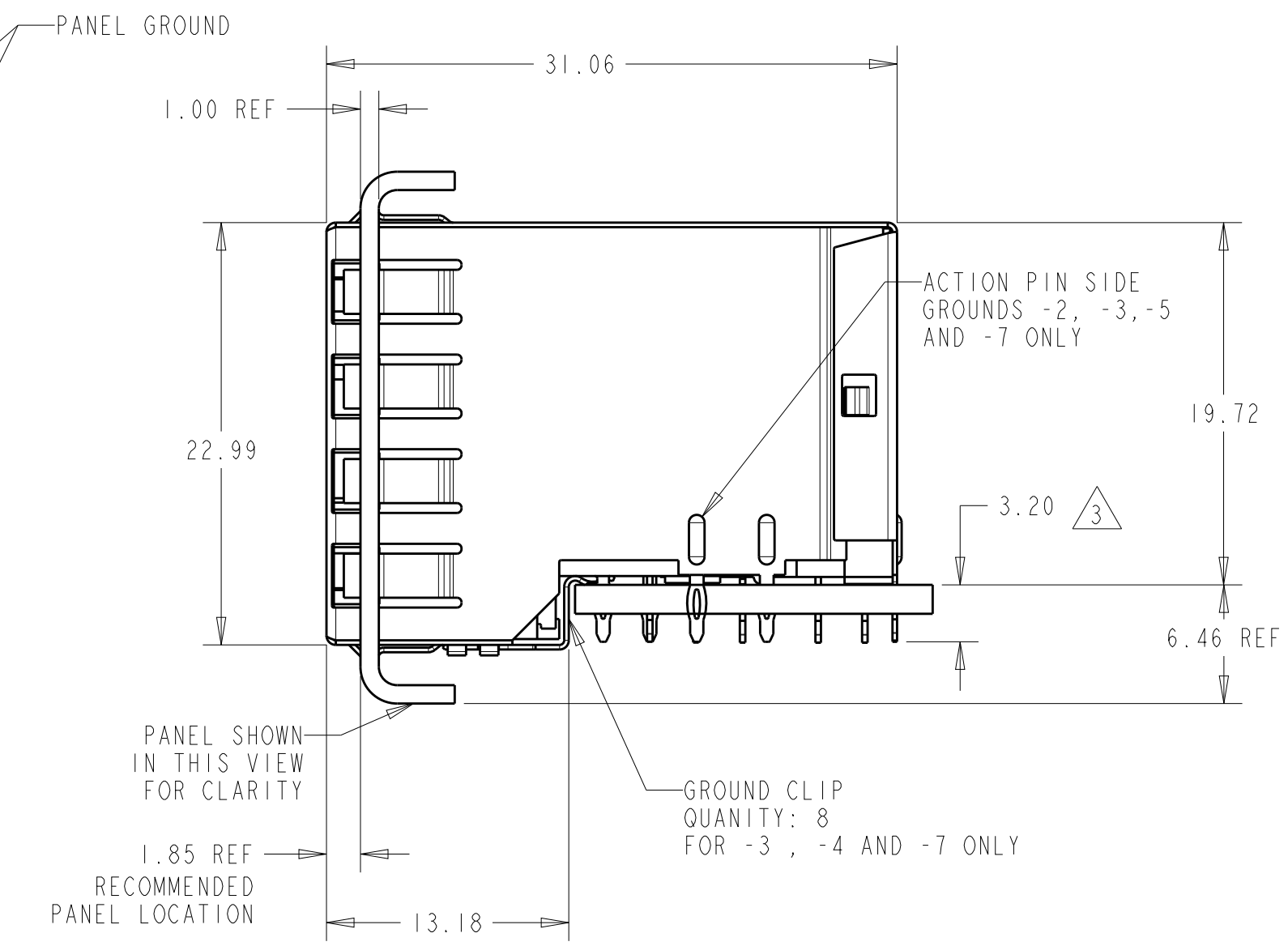
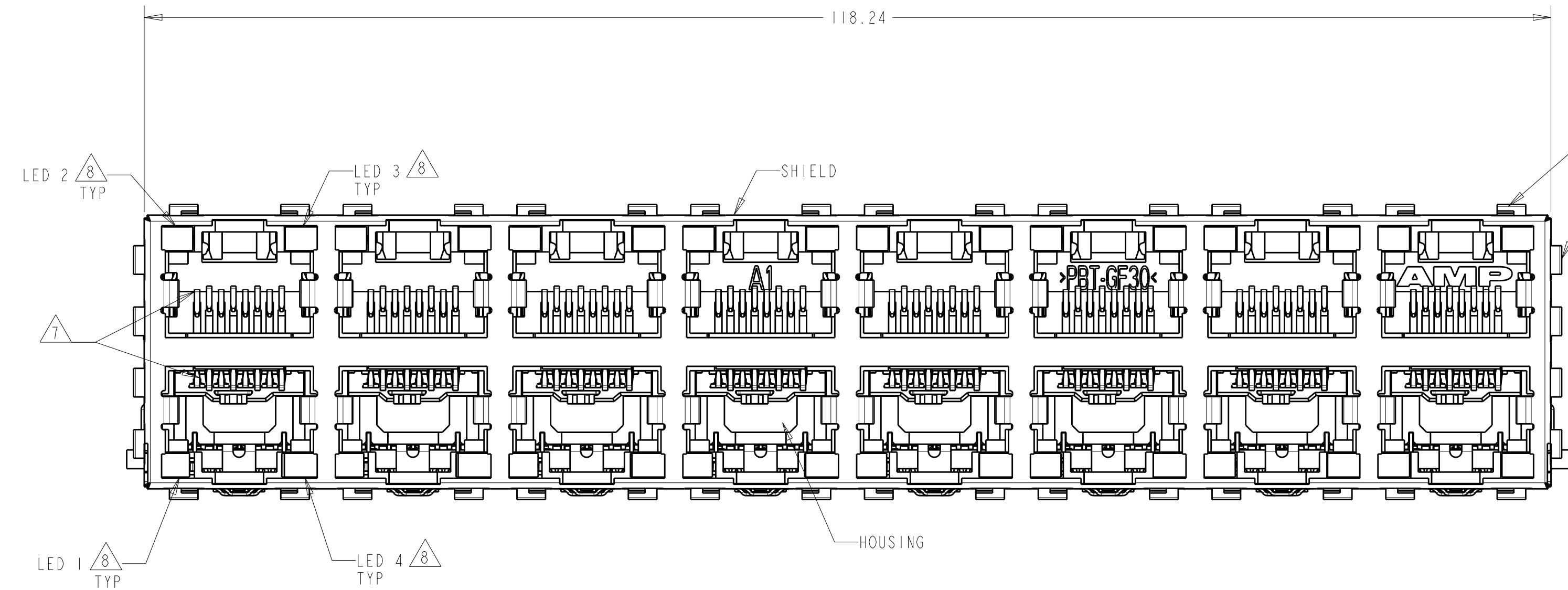


REVISIONS				
P.	LTN	DESCRIPTION	DATE	APPROV
D		REV PER ECR-09-024937	12NOV2009	DZ SY
E		ECO-15-006810	22JAN2016	LL SH

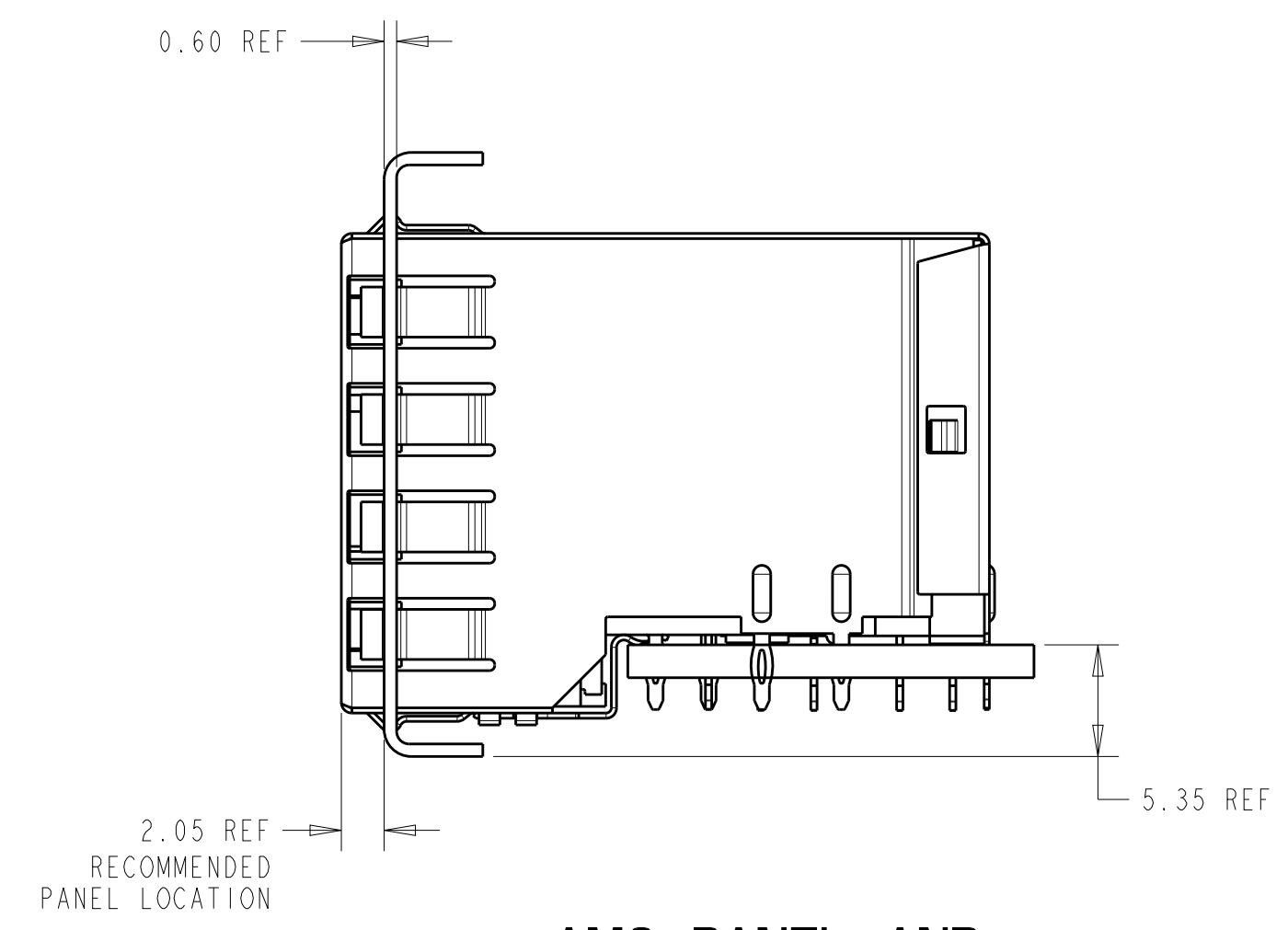


- MATERIAL:
 HOUSING: PBT POLYESTER, BLACK, UL 94V-0
 TERMINALS: 0.33 THICK PHOSPHOR BRONZE PLATED WITH 1.27µm MINIMUM THICK HARD GOLD IN LOCALIZED AREA AND 2.0µm MINIMUM THICK MATTE TIN IN COMPLIANT PIN TERMINAL AREA OVER 1.27µm MINIMUM THICK NICKEL UNDERPLATE
 SHIELD: 0.25 THICK COPPER ALLOY PLATED WITH 2.03µm MINIMUM TIN OVER 1.27 µm MINIMUM NICKEL
 GROUND CLIP: 0.25 THICK COPPER ALLOY PRE-PLATED WITH 2.03µm MINIMUM MATTE TIN OVER 1.27µm MINIMUM NICKEL
 LIGHT EMITTING DIODE (LED): DIFFUSED EPOXY LENS, 12.95 CARBON STEEL WIREFRAME LEADS PREPLATED WITH 8.89µm THICK Sn/Cu OVER 2.03µm THICK Ag OVER 1.02µm THICK Cu OVER 3.56µm THICK Ni OVER 1.02µm THICK Cu UNDERPLATE
 LED COMPLIANT PIN CONTACTS: 0.3 THICK BRASS PLATED WITH 2µm MINIMUM MATTE TIN OVER 1.27µm MINIMUM NICKEL UNDERPLATE.

2. JACK CAVITY CONFORMS TO FCC RULES AND REGULATIONS, PART 68 SUBPART F.

- 3 MAXIMUM PIN LENGTH 3.40 FROM TOP SURFACE OF PC BOARD
- 4 FINISHED PLATED THROUGH HOLE DIAMETER - ANNULAR RING DIAMETER 1.3 TO 1.5
- 5 DATUMS AND BASIC DIMENSIONS ESTABLISHED BY CUSTOMER
- 6 DATE CODE LOCATED ON REAR OF PART APPROXIMATELY AS SHOWN
- 7 CONTACTS ARE NOT INTENDED TO BE ALIGNED WITH EACH OTHER
- 8 SUGGESTED OPERATING CURRENT FOR LEDS IS 20mA

ATCA PANEL AND PRINTED CIRCUIT BOARD ASSEMBLY LAYOUT



AMC PANEL AND PRINTED CIRCUIT BOARD ASSEMBLY LAYOUT

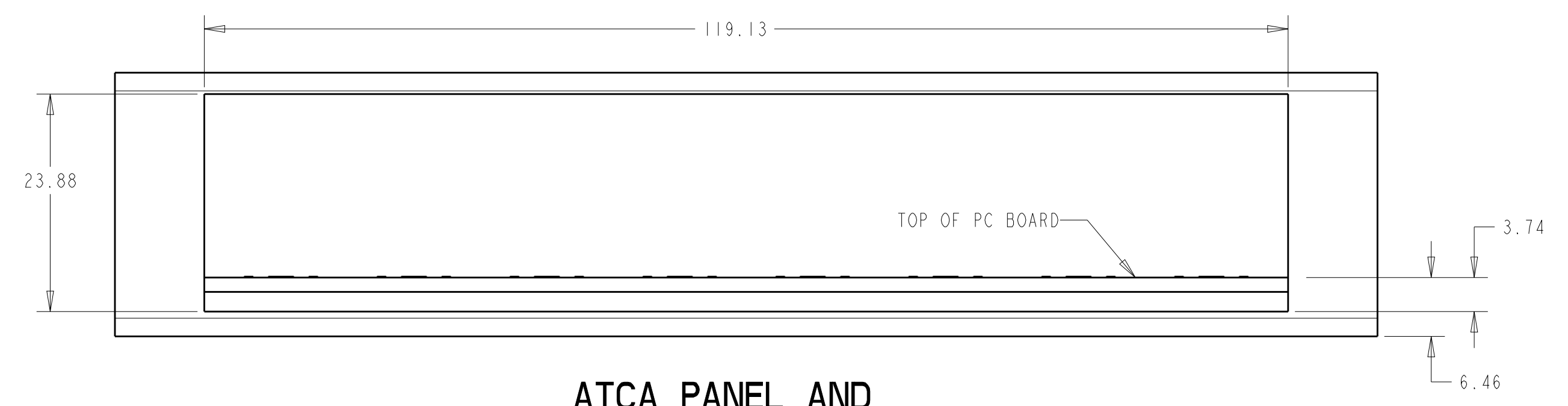
15.88	GREEN/YELLOW	GREEN/YELLOW	GREEN/YELLOW	GREEN/YELLOW	YES	WITH GROUND CLIP	1888655-7
16.13	YELLOW	YELLOW	GREEN/YELLOW	GREEN/YELLOW	YES	WITHOUT GROUND CLIP	1888655-6
16.13	YELLOW	YELLOW	GREEN	GREEN	YES	WITHOUT GROUND CLIP	1888655-5
15.88	GREEN	GREEN	GREEN	GREEN	NO	WITH GROUND CLIP	1888655-4
15.88	GREEN	GREEN	GREEN	GREEN	YES	WITH GROUND CLIP	1888655-3 (SHOWN)
16.13	GREEN	GREEN	GREEN	GREEN	YES	WITHOUT GROUND CLIP	1888655-2
16.13	GREEN	GREEN	GREEN	GREEN	NO	WITHOUT GROUND CLIP	1888655-1
M DIM	LED #4 (LOWER-RIGHT)	LED #3 (UPPER-RIGHT)	LED #2 (UPPER-LEFT)	LED #1 (LOWER-LEFT)	SHIELD SIDE ACTION PIN	DESCRIPTION	PART NUMBER

THIS DRAWING IS A CONTROLLED DOCUMENT.

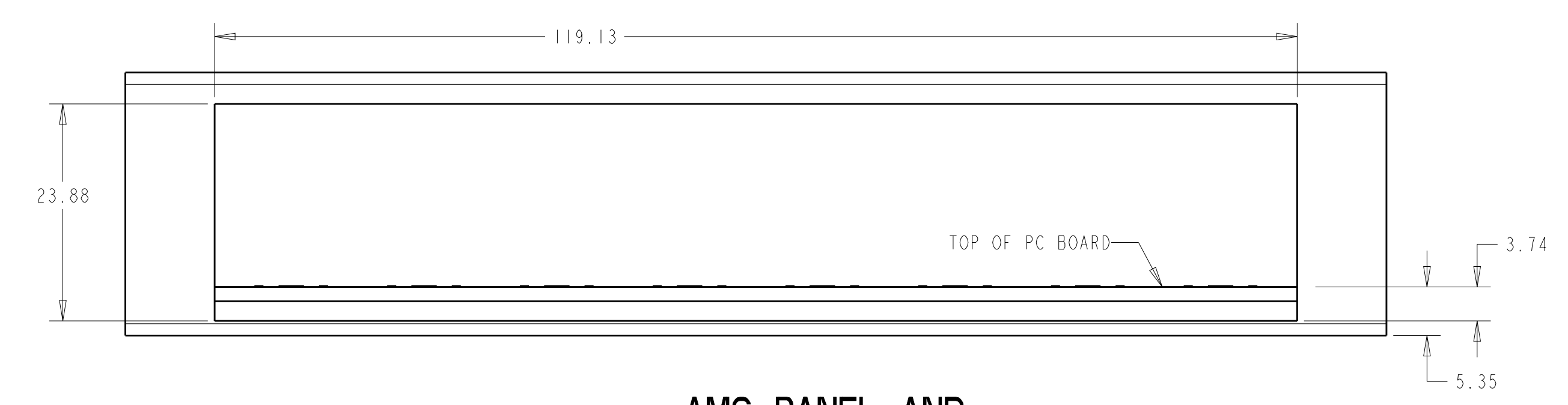
DIMENSIONS:	TOLERANCES UNLESS OTHERWISE SPECIFIED:	DWN L.A.MAYER 31OCT2006	CHK J.WESTMAN 31OCT2006	APVD S.FLICKINGER 31OCT2006
mm	0 PLC ± 2 PLC ±0.13 3 PLC ± 4 PLC ± ANGLES ±1°	NAME	STACKED MODULAR JACK ASSEMBLY, 2 X 8, 8 POSN, SHIELDED, PANEL GROUND, OFFSET, CAT 5	
MATERIAL SEE NOTE 1	FINISH	PRODUCT SPEC 108-1854	APPLICATION SPEC 114-2160	RESTRICTED TO
		WEIGHT	SIZE CAGE CODE DRAWING NO	
		CUSTOMER DRAWING	A1 00779 C=1888655	SCALE 3:1 SHEET 1 OF 2 REV E

STE TE Connectivity

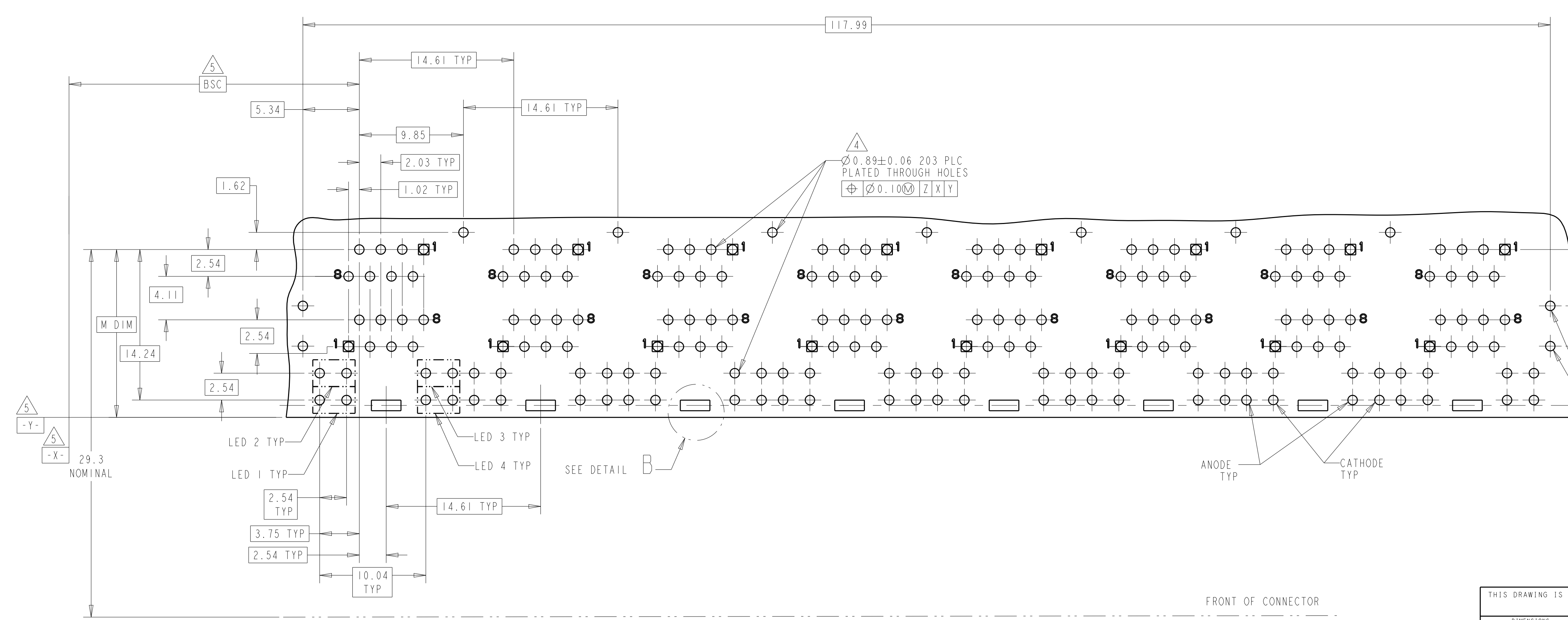
REVISIONS				
P.	LTN.	DESCRIPTION	DATE	APVD.
-	-	SEE SHEET 1	-	-



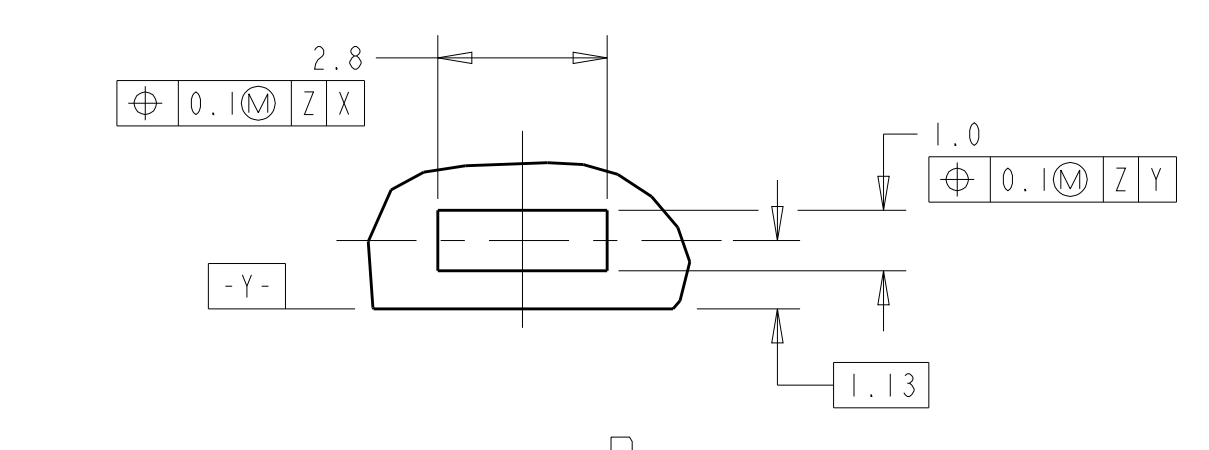
ATCA PANEL AND PRINTED CIRCUIT BOARD LAYOUT
 SCALE 2:1



AMC PANEL AND PRINTED CIRCUIT BOARD LAYOUT
 SCALE 2:1



PC BOARD LAYOUT (COMPONENT SIDE)



DETAIL B
 SCALE 8:1
 PLATED PADS REQUIRED FOR 1888655-3, -4 AND -7 (PRODUCT WITH GROUNDING CLIP)
 8 PLC

THROUGH HOLES FOR SHIELD SIDE GROUNDS. NOT REQUIRED FOR 188655-1 & -4

FRONT OF CONNECTOR

THIS DRAWING IS A CONTROLLED DOCUMENT.		DWN: L.A. MAYER 31OCT2006 CHK: J. WESTMAN 31OCT2006 APVD: S. FLICKINGER 31OCT2006	TE Connectivity
DIMENSIONS: mm 	TOLERANCES UNLESS OTHERWISE SPECIFIED: 0 PLC ± 1 PLC ±0.13 2 PLC ± 3 PLC ± 4 PLC ± ANGLES ±1° FINISH	NAME: STACKED MODULAR JACK ASSEMBLY, 2 X 8, 8 POSN, SHIELDED, PANEL GROUND, OFFSET, CAT 5 PRODUCT SPEC: 108-1854 APPLICATION SPEC: 114-2160 WEIGHT: - CUSTOMER DRAWING	
MATERIAL: SEE NOTE 1		SIZE: A1 CAGE CODE: 00779 DRAWING NO: 1888655	RESTRICTED TO: - SCALE: 2:1 SHEET: 2 OF 2 REV: E

单击下面可查看定价，库存，交付和生命周期等信息

[>>TE Connectivity\(泰科\)](#)