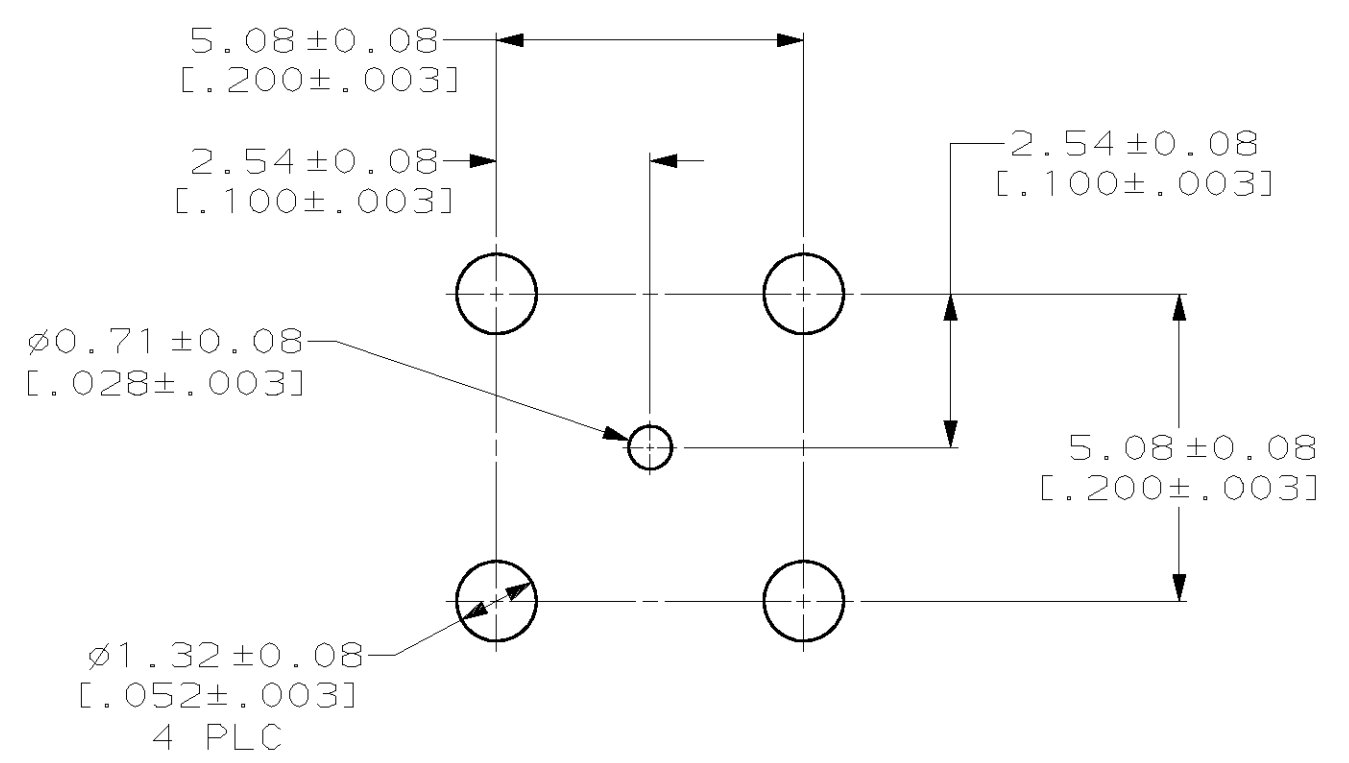
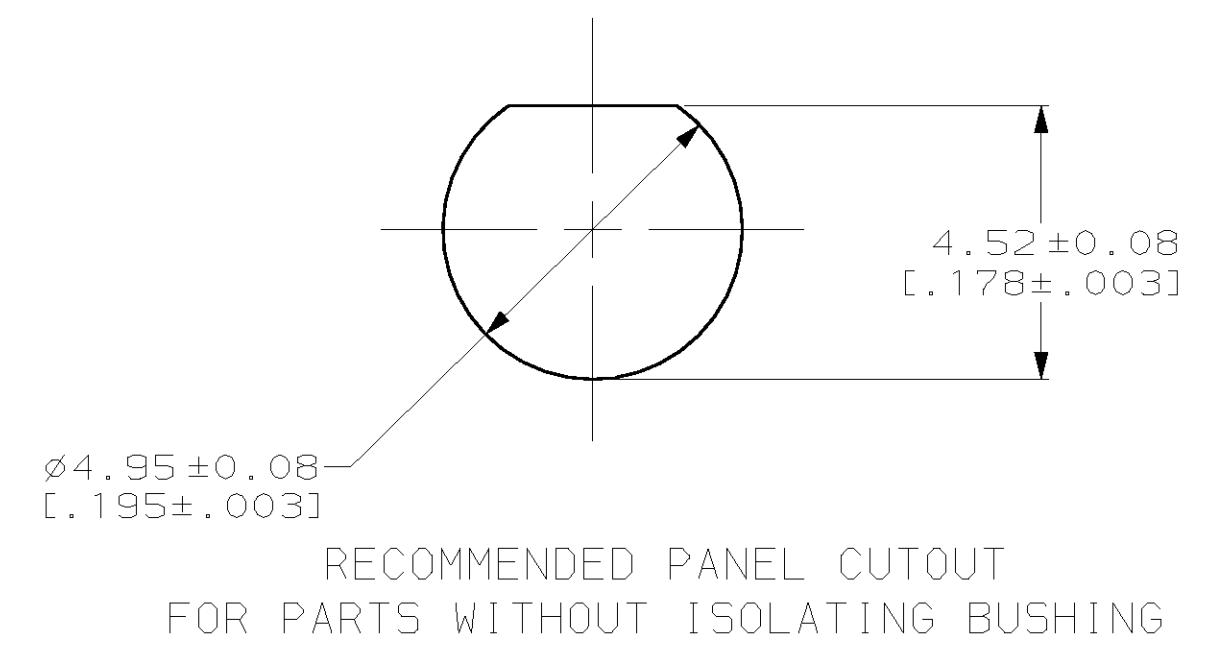
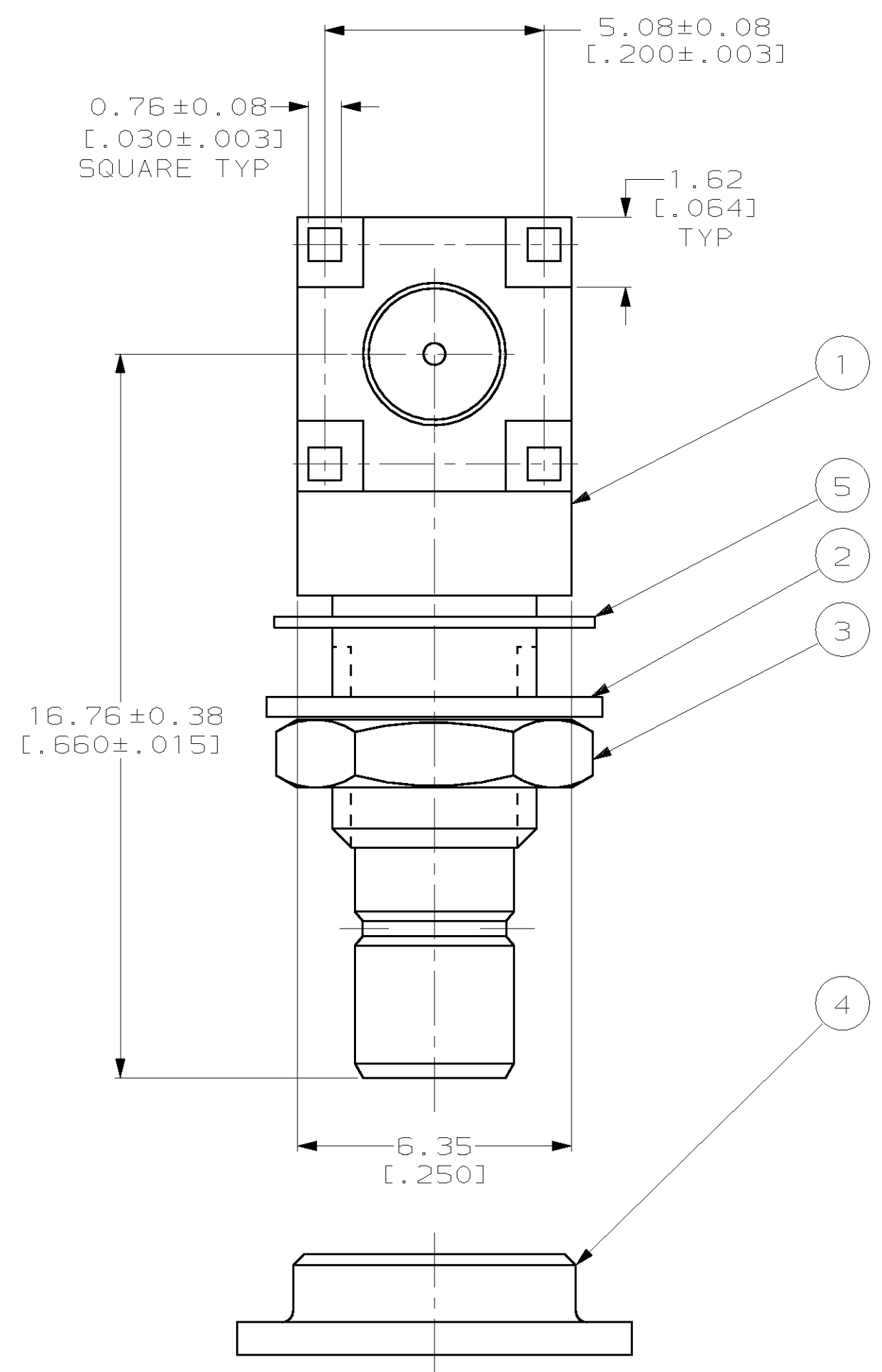
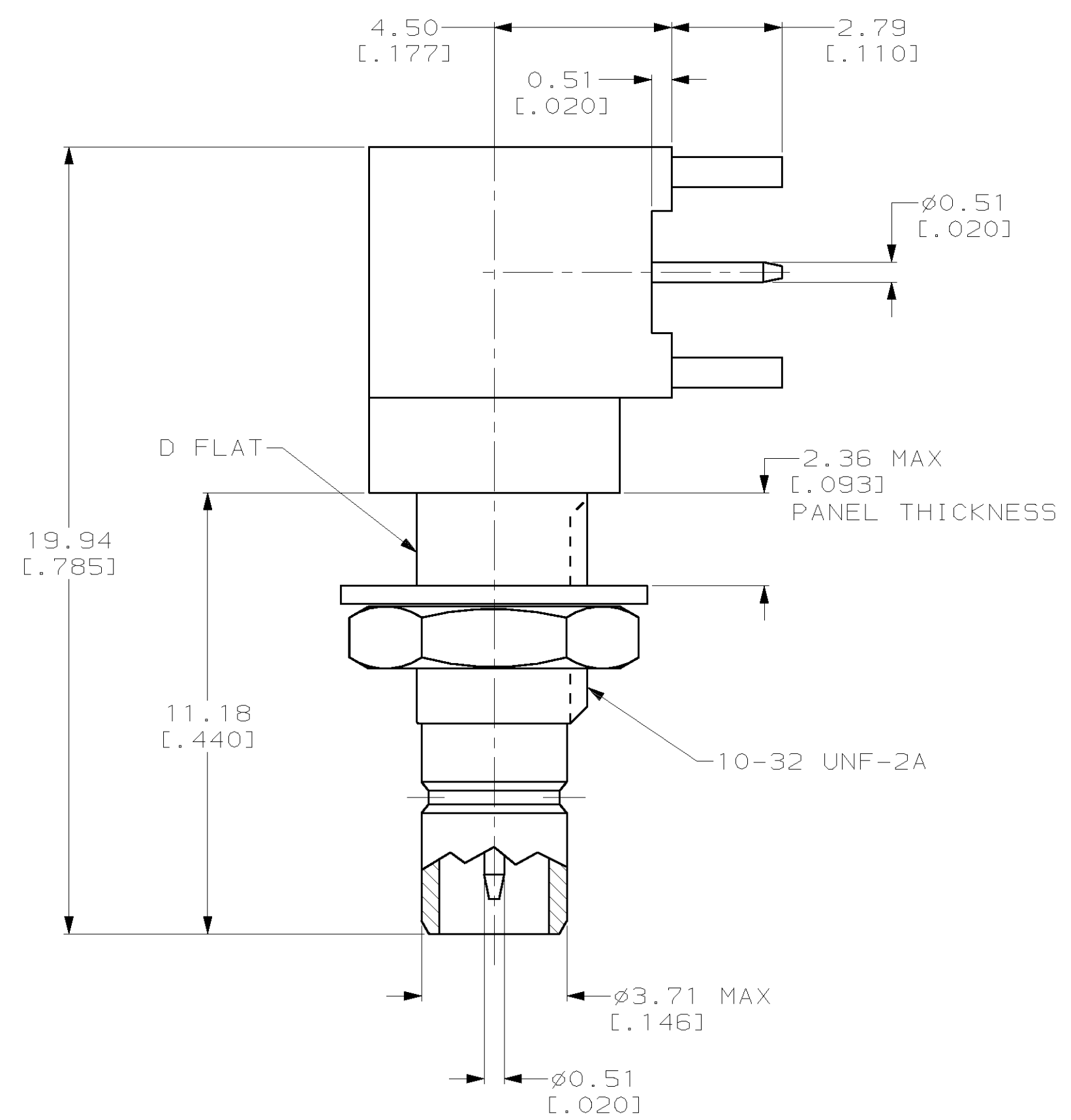


THIS DRAWING IS UNPUBLISHED. RELEASED FOR PUBLICATION
 (C) COPYRIGHT 19 BY AMP INCORPORATED. ALL RIGHTS RESERVED.

LOC	DIST	REVISIONS			
P	LTR	DESCRIPTION	DATE	DWN	APVD
AJ	16	L	REVISED PER EC 0514-0287-02	25SEP02	DD KW



RECOMMENDED PCB CPNFIGURATION

OBSOLETE	-	-	414969-3	982059-5	415496-2	415377-4
	228019-3	415784-1	414969-3	415001-2	415496-2	415377-3
	⑤ ISOLATING WASHER QTY=45	④ ISOLATING BUSHING QTY=45	③ JAMNUT QTY=45	② LOCKWASHER QTY=45	① JACK ASSY QTY=40	PART NUMBER
OBSOLETE	-	-	414969-3	982059-5	415496-2	415377-6
	228019-3	415784-1	414969-3	415001-2	415496-2	415377-5
	-	-	414969-3	415001-3	415496-2	415377-2
	-	-	414969-2	415001-2	415496-1	415377-1
	⑤ ISOLATING WASHER QTY=1	④ ISOLATING BUSHING QTY=1	③ JAMNUT QTY=1	② LOCKWASHER QTY=1	① JACK ASSY QTY=1	PART NUMBER

THIS DRAWING IS A CONTROLLED DOCUMENT.

DWN	B. MOYER	24APR96
CHK	G. MICHAEL	21JUN96
APVD	G. MICHAEL	21JUN96

AMP Incorporated
Harrisburg, PA 17105-3608

AMP

NAME: JACK, RTANG, PCB, 75 OHM, SMB

SIZE: A2 CAGE CODE: 00779 DRAWING NO: 415377

MATERIAL: FINISH: SCALE: 8:1 SHEET: 1 OF 1 REV: L

415377

单击下面可查看定价，库存，交付和生命周期等信息

[>>TE Connectivity\(泰科\)](#)