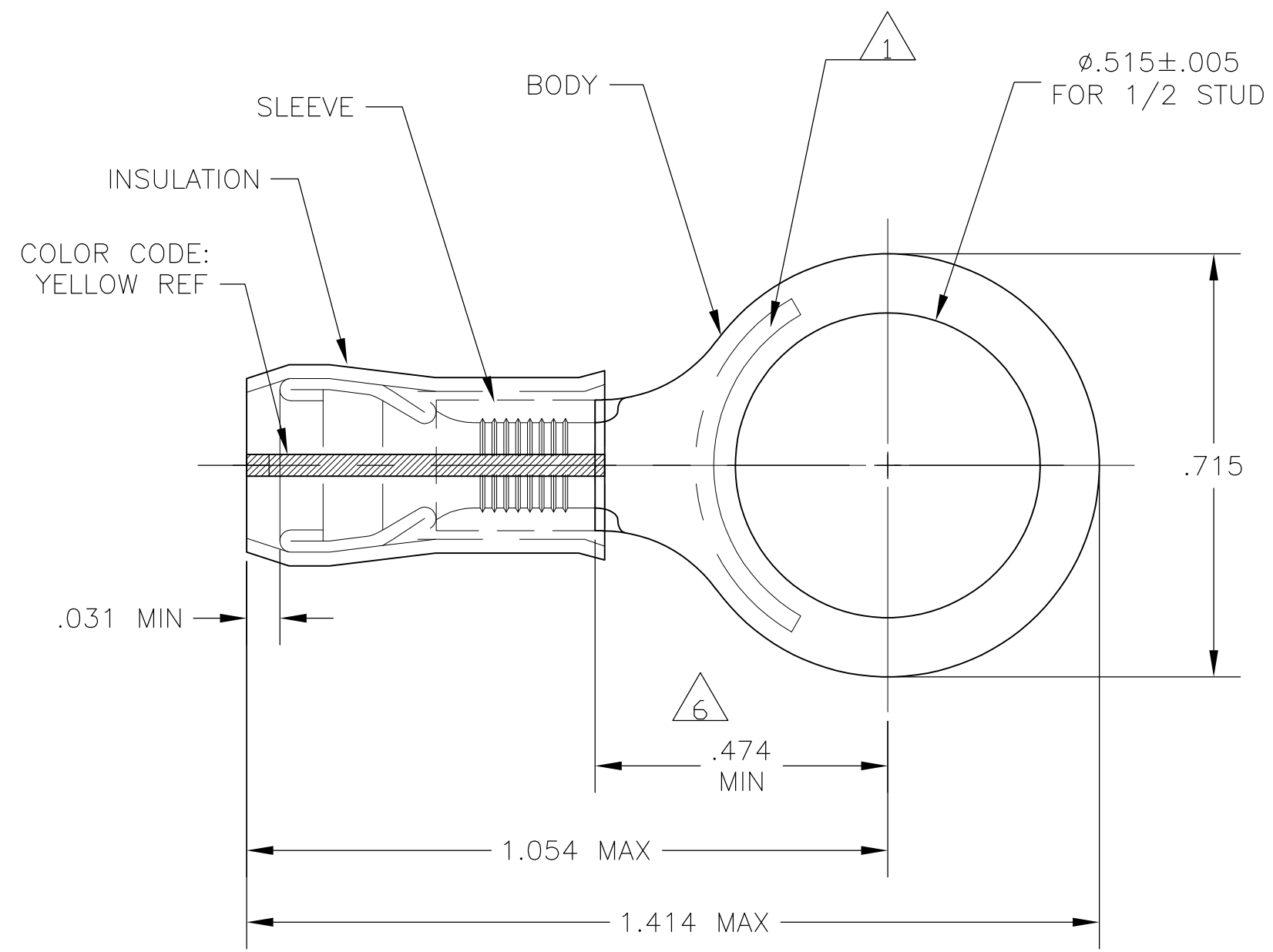


THIS DRAWING IS UNPUBLISHED. RELEASED FOR PUBLICATION
 © COPYRIGHT BY TYCO ELECTRONICS CORPORATION. ALL RIGHTS RESERVED.

LOC	DIST	REVISIONS					
		P	LTR	DESCRIPTION	DATE	DWN	APVD
G	14		G1	REV PER ECR 07-024668	16OCT07	JR	TM



- ① STAMP AMP 12-10* APPROX AS SHOWN
- 2 WIRE INSULATION DIA: .150-.230
- 3 TONGUE MATERIAL THK: .039±.002
- ④ BODY & SLEEVE: TIN-LEAD (93-7) PLATE PER ASTM B545, (3% MIN LEAD CONTENT)
- ⑤ BODY & SLEEVE- CU PER ASTM B152 INSULATION - PVF2, COLOR - NATURAL
- ⑥ APPLIES FROM EDGE OF METAL WIRE BARREL TO CENTER OF STUD HOLE.
- ⑦ PRELIMINARY - NOT FOR PRODUCTION

---	1000	REEL, ON TAPE	⑦ 53429-2
M7928/4-158 CLASS 2	500	LOOSE PIECE	53429-1
MILITARY P/N	QTY	PACKAGE TYPE	PART NO

AMP INCORPORATED CUSTOMER SERVICE SYSTEMS		MAX RECOMMENDED OPERATING TEMPERATURE: 150°C MAX	THIS DRAWING IS A CONTROLLED DOCUMENT.		DWN JR RUTH 16OCT07	Tyco Electronics Corporation Harrisburg, Pa 17105-3608				
FOR ADDITIONAL PRODUCT INFORMATION OR COPIES OF DRAWINGS AND TECHNICAL DOCUMENTS	PRODUCT INFORMATION CENTER 1-800-522-6752	VOLTAGE RATING: -	DIMENSIONS: INCHES	TOLERANCES UNLESS OTHERWISE SPECIFIED:	CHK T MICHELUTTI 16OCT07	NAME TERMINAL, RING TONGUE, PVF2, P.I.D.G. WIRE SIZE: 12-10 AWG				
FOR APPLICATION TOOLING INFORMATION	TOOLING ASSISTANCE CENTER 1-800-722-1111	CIRCULAR MIL AREA: 2.62-6.64mm² [5,180-13,100] STRANDED		0 PLC ± - 1 PLC ± - 2 PLC ± - 3 PLC ± .008 4 PLC ± - ANGLES ± -	APVD T MICHELUTTI 16OCT07	PRODUCT SPEC	SIZE	CAGE CODE	DRAWING NO	RESTRICTED TO
FOR ORDER ENTRY	1-800-526-5142	THIS DRAWING IS A CONTROLLED DOCUMENT FOR AMP INCORPORATED. IT IS SUBJECT TO CHANGE AND THE CONTROLLING ENGINEERING ORGANIZATION SHOULD BE CONTACTED FOR THE LATEST REVISION.	MATERIAL	FINISH	---	---	A3	00779	G-53429	---
					CUSTOMER DRAWING		SCALE	SHEET	OF	REV
							4:1	1	1	G1

单击下面可查看定价，库存，交付和生命周期等信息

[>>TE Connectivity\(泰科\)](#)