

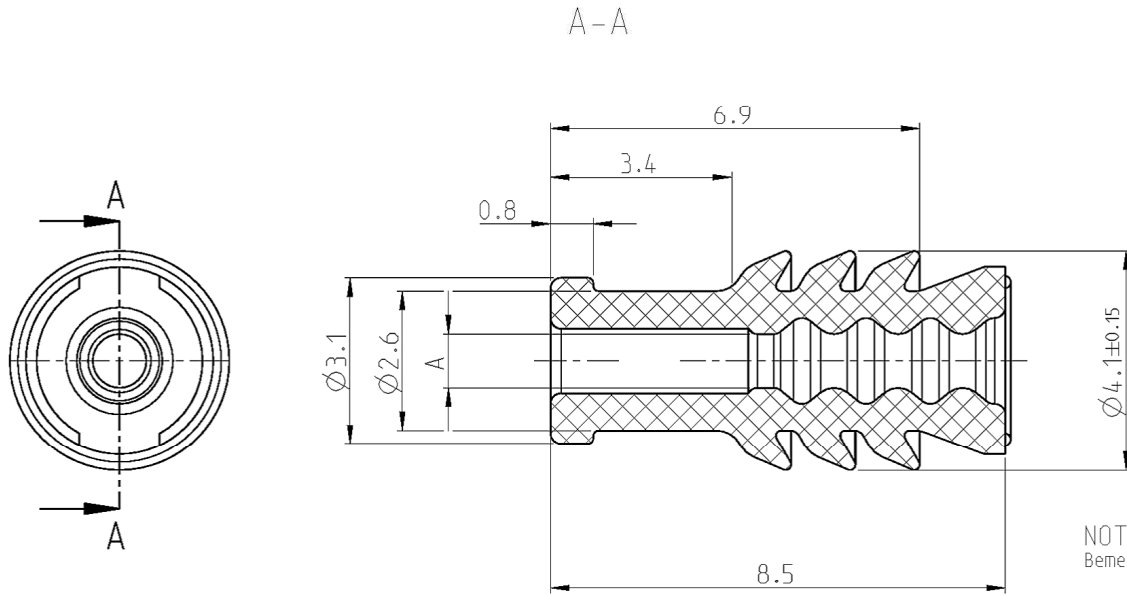
THIS DRAWING IS UNPUBLISHED.

RELEASED FOR PUBLICATION 2011

© COPYRIGHT 2011 Tyco Electronics AMP GmbH

ALL RIGHTS RESERVED.

LOC	DIST	REVISIONS			
P	LTR	DESCRIPTION	DATE	DWN	APVD
A9	-	NEW DASH # 1-967067-1, TEMPERED	09JAN2012	Mah.	AbeLe
A10	-	NEW PRO E DRAWING	02FEB2012	Mah.	AbeLe



NOTES
Bemerkungen

- SUITABLE FOR SOCKET CONTACT FOR SINGLE WIRE SEAL, SEE : 929454; 929419; 1241611
Passend zu Buchsenkontakt fuer Einzeldichtung, siehe: 929454; 929419; 1241611
- SUITABLE FOR PIN CONTACT FOR SINGLE WIRE SEAL SEE 929453
Passend zu Stiftkontakt fuer Einzeldichtung siehe 929453
- SILOXAN IS MINIMIZED THROUGH TEMPERING PROCESS
SILOXAN minimiert durch Temperung

1.4 - 2.1	∅1.0±0.15	SINGLE WIRE Einzelleitung	1-967067-1	A	GREEN/gruen	-	0-967067-1	△3
0.9 - 1.4	∅0.6±0.15		0-967067-2	A	YELLOW /gelb	0.07	Silicone VMQ 50	-
1.4 - 2.1	∅1.0±0.15		0-967067-1	A	GREEN/gruen	0.06		-
ISO-DIA	DIM "A"	USED ON verwendet fuer	ORDER NO Bestell Nr.	REV.	COLOR Farbe	WEIGHT Gewicht	MATERIAL	HEAT TREAT

THIS DRAWING IS A CONTROLLED DOCUMENT.		DWN S. Garcia 29JUL1999	STE TE Connectivity	
		CHK R. Jetter 28JUL1999		
DIMENSIONS: mm	TOLERANCES UNLESS OTHERWISE SPECIFIED: M3 DIN/715	APVD -	NAME Micro Quadlok System	
	0 PLC ± 1 PLC ± 2 PLC ± 3 PLC ± 4 PLC ± ANGLES ±°	PRODUCT SPEC 114-18025	SINGLE WIRE SEAL FOR CAVITY DIA 3.45mm Einzelleiterdichtung fuer Kammerdurchmesser 3.45mm	
MATERIAL SEE TABLE	FINISH -	APPLICATION SPEC 108-18403	SIZE A3	RESTRICTED TO -
		WEIGHT SEE TABLE	CAGE CODE 00779	DRAWING NO C=967067
		CUSTOMER DRAWING	SCALE 10:1	SHEET 1 OF 1 REV A10

单击下面可查看定价，库存，交付和生命周期等信息

[>>TE Connectivity\(泰科\)](#)