

## CODE 15 - TINEL-LOCK BACKSHELL

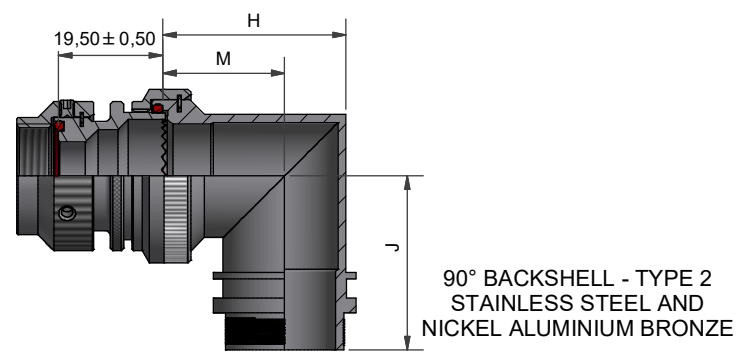
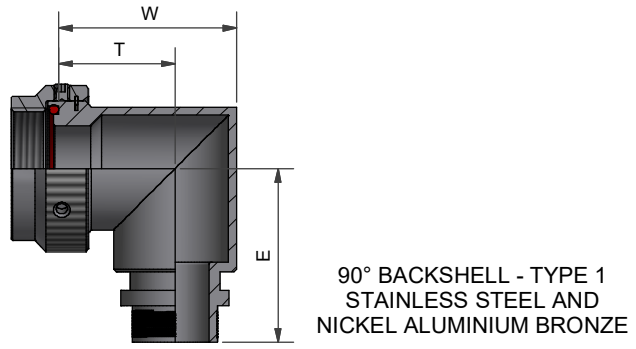
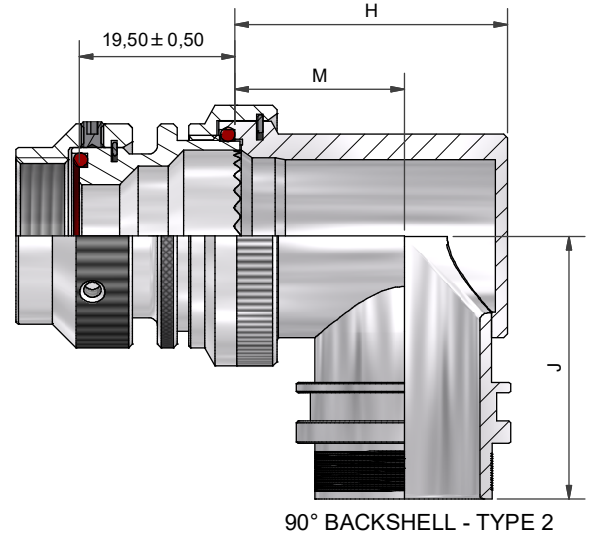
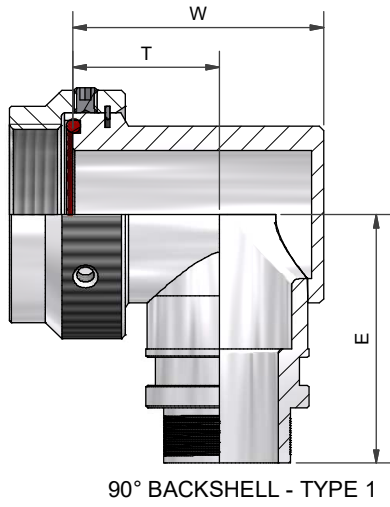
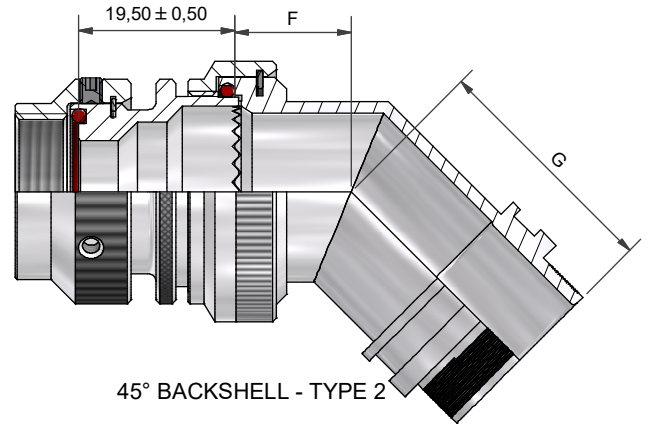
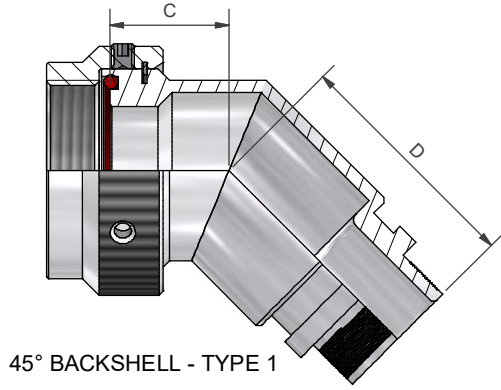
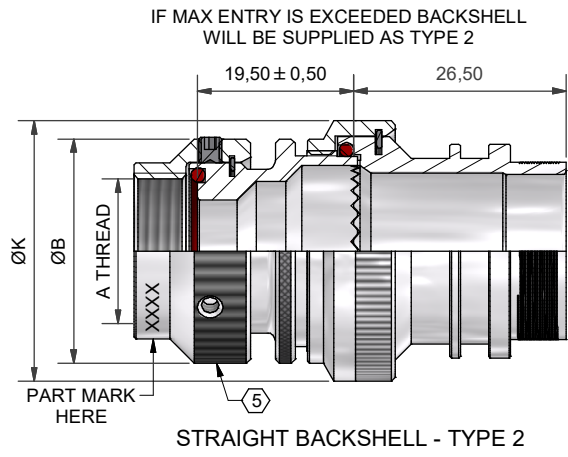
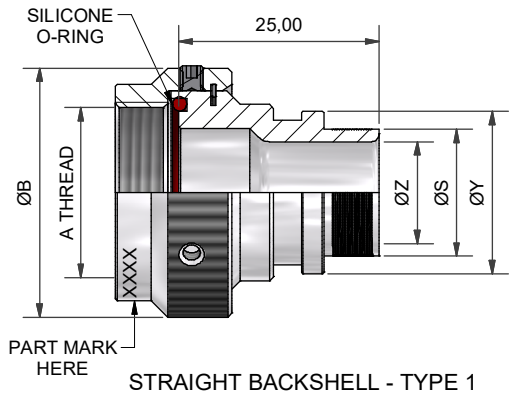
TXR15AB00-1608AI-

SERIES \_\_\_\_\_  
 TXR: RING INCLUDED  
 (SEE RING OPTION)  
 TX: RING NOT INCLUDED  
 CONNECTOR INTERFACE \_\_\_\_\_  
 MATERIAL \_\_\_\_\_  
 REFER TO CH00-0250-008  
 FINISH \_\_\_\_\_  
 REFER TO CH00-0250-008  
 ANGLE \_\_\_\_\_  
 DASH NUMBER (TABLE 1) \_\_\_\_\_  
 ENTRY SIZE (TABLE 2) \_\_\_\_\_  
 RING OPTION \_\_\_\_\_  
 AI - TO SUIT SINGLE BRAID  
 BI - TO SUIT DOUBLE BRAID  
 FOR TX, LEAVE BLANK  
 MODIFICATION CODE \_\_\_\_\_  
 REFER TO CH00-0250-008 (2)

### NOTES:

1. THIS PRODUCT IS DESIGNED TO TERMINATE A BRAIDED CABLE SHIELD AND A HEAT SHRINKABLE LIPPED BOOT TO A CONNECTOR.
- (2) FOR ADDITIONAL DIMENSIONS, ORDERING INFORMATION AND MODIFICATIONS, SEE CH00-0250-008.
- (3) SEE DRAWING TR FOR DETAIL ON TINEL-LOCK RING, RINGS ARE DESIGNED TO BE HEATED ELECTRICALLY, ALL RINGS ARE MARKED WITH THERMOCHROMIC PAINT WHICH CHANGES COLOUR WHEN INSTALLATION TEMPERATURE IS REACHED.
4. BACKSHELL TO BE PERMANENTLY MARKED/BAGGED AND LABELLED WITH CODE IDENTIFICATION NUMBER AND PART NUMBER LESS RING DESIGNATOR. (e.g. 06090-TXR15AB00-1206). RING SHALL BEAR NO MARKING.
- (5) IF MAX ENTRY IS EXCEEDED, A 2 PIECE BACKSHELL ASSEMBLY (TYPE 2) IS SUPPLIED.
6. BACKSHELL MATES TO MIL-C-5015, SOLDER CONTACT, MS3100, MS3101, MS3106, MS3107 AND MS3108 WITH ENDBELL.
- (7) ANTI-ROTATIONAL SET SCREW, THREE THREADED HOLES  $120^\circ \pm 5^\circ$  APART, SINGLE MATING SET SCREW SUPPLIED.

DRAWN	K.WINCZURA	DATE	04/12/2014	 3RD ANGLE PROJECTION NOT TO SCALE UNLESS OTHERWISE SPECIFIED ALL DIMENSIONS IN MILLIMETRES <b>GENERAL TOL</b> LINEAR +/-0.25MM ANGULAR +/- 1°	<b>TITLE:</b>  TINEL-LOCK BACKSHELL	 Polamco 		
CHECKED		04/12/2014	<b>ASSY USED ON:</b>  MIL-C-5015 MS "V" THREAD END BELLS					
APPROVED	K.SHEPPARD	11/12/2014						
APPROVED	H.SMITH	07/07/2015						
<b>REVISIONS</b>								
LTR	DESCRIPTION	DATE	APPROVED					
E	REVISED PER ECO-15-009981	07/07/2015	H.SMITH					
F	REVISED PER ECO-18-002419	03/04/2018	D.JONES					
TE CAGE CODE: 06090 POLAMCO/TE CAGE CODE: U5792					TE CONNECTIVITY - POLAMCO LTD RESERVES THE RIGHT TO AMEND THIS DRAWING AND THE INFORMATION SHOULD BE CHECKED IN THEIR APPLICATION.	DRAWING NO: <b>TXR15</b>	DRAWING REV: <b>F</b>	SHT <b>1</b>



<b>DRAWN</b>	K.WINCZURA	<b>DATE</b>	04/12/2014
<b>CHECKED</b>		<b>DATE</b>	04/12/2014
<b>APPROVED</b>	K.SHEPPARD	<b>DATE</b>	11/12/2014
<b>APPROVED</b>	H.SMITH	<b>DATE</b>	07/07/2015

3RD ANGLE PROJECTION NOT TO SCALE

UNLESS OTHERWISE SPECIFIED ALL DIMENSIONS IN MILLIMETRES

**GENERAL TOL**  
LINEAR +/-0.25MM  
ANGULAR +/- 1°

**TITLE:**

**TINEL-LOCK BACKSHELL**

**ASSY USED ON:**

**MIL-C-5015 MS "V" THREAD END BELLS**



<b>REVISIONS</b>			
LTR	DESCRIPTION	DATE	APPROVED
E	REVISED PER ECO-15-009981	07/07/2015	H.SMITH
F	REVISED PER ECO-18-002419	03/04/2018	D.JONES

TE CAGE CODE: 06090  
POLAMCO/TE CAGE CODE: U5792

THESE DIMENSIONS APPLY IF  
BACKSHELL IS STAINLESS STEEL  
OR NICKEL ALUMINIUM BRONZE

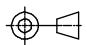
TABLE 1

ORDER NUMBER	SHELL SIZE	A THREAD	ØB MAX	MAX ENTRY	C ±0,5	D ±0,5	W ±0,5	T ±0,5	E MAX	W MAX	T ±0,5	E MAX
03	8S & 10S	1/2-28UNEF	21,5	05	12,6	27,5	21,7	13,5	28,5	22,2	15,0	28,5
04	10SL, 12 & 12S	5/8-24UNEF	25,0	07	14,0	28,0	24,9	15,9	30,0	25,4	16,5	30,0
06	14 & 14S	3/4-20UNEF	28,0	08	15,0	29,0	27,9	17,9	31,5	28,4	17,9	31,5
08	16 & 16S	7/8-20UNEF	31,1	10	15,6	29,7	31,3	19,3	33,2	31,8	20,1	33,2
10	18	1-20UNEF	35,0	12	16,3	30,5	34,3	21,3	34,8	34,8	21,3	34,8
12	20 & 22	1 3/16-18UNEF	39,0	16	17,2	30,9	40,4	22,9	36,3	40,9	22,9	36,3
16	24 & 28	1 7/16-18UNEF	45,2	20	17,9	32,1	46,5	27,0	39,4	44,5	27,0	39,4
20	32	1 3/4-18UNS	54,9	24	24,3	32,1	53,3	30,7	43,3	50,8	32,0	43,3
24	36	2-18UNS	62,0	24	26,9	29,3	57,8	32,8	47,3	58,3	34,8	47,3
28	40	2 1/4-16UN	68,6	24	31,8	30,7	64,4	36,5	51,5	64,9	38,9	51,5

THESE DIMENSIONS APPLY IF  
BACKSHELL IS STAINLESS STEEL  
OR NICKEL ALUMINIUM BRONZE

TABLE 2

ENTRY SIZE	ØZ MIN	ØS	ØY ±0,3	ØK MAX	F ±0,5	G ±0,5	H ±0,5	M ±0,5	J ±0,5	H ±0,5	M ±0,5	J ±0,5
04	6,35	9,49 +/-0,04	14,00	NA	NA	NA	NA	NA	NA	NA	NA	NA
05	7,92	11,06 +/-0,04	15,50	NA	NA	NA	NA	NA	NA	NA	NA	NA
06	9,53	12,66 +/-0,04	17,10	21,0	12,5	27,5	24,0	15,5	27,95	24,3	17,2	28,2
07	11,10	14,21 +/-0,07	18,70	21,0	12,5	27,5	24,0	15,5	27,95	24,3	17,2	28,2
08	12,70	15,81 +/-0,07	20,30	24,5	13,1	28,0	27,0	17,0	29,45	28,3	19,4	29,7
10	15,88	18,96 +/-0,08	23,50	29,0	13,5	29,0	31,0	19,5	31,00	31,1	21,0	31,2
12	19,05	22,14 +/-0,08	26,70	32,5	14,5	29,7	34,0	21,0	32,70	34,2	22,8	32,9
14	22,23	25,30 +/-0,08	29,80	35,5	15,5	30,5	35,0	20,0	34,25	38,5	25,3	34,5
16	25,40	28,48 +/-0,08	33,00	37,0	16,1	30,9	38,0	21,5	35,80	40,7	26,1	36,1
18	28,58	31,65 +/-0,08	36,20	40,0	16,5	31,1	42,0	24,0	37,40	43,7	27,6	37,6
20	31,75	34,83 +/-0,08	39,40	43,5	17,0	32,1	45,0	25,5	38,90	46,4	29,1	39,1
22	34,93	37,98 +/-0,08	42,50	48,5	18,5	35,3	54,5	31,0	42,00	50,0	31,0	42,0
24	38,10	41,15 +/-0,08	45,70	52,1	21,9	38,1	58,0	33,0	46,00	53,5	33,0	46,0

<b>DRAWN</b>	K.WINCZURA	DATE	04/12/2014	 3RD ANGLE PROJECTION NOT TO SCALE  UNLESS OTHERWISE SPECIFIED ALL DIMENSIONS IN MILLIMETRES <b>GENERAL TOL</b> LINEAR +/-0,25MM ANGULAR +/- 1°
<b>CHECKED</b>		DATE	04/12/2014	
<b>APPROVED</b>	K.SHEPPARD	DATE	11/12/2014	
<b>APPROVED</b>	H.SMITH	DATE	07/07/2015	
<b>REVISIONS</b>				
<b>LTR</b>	<b>DESCRIPTION</b>	<b>DATE</b>	<b>APPROVED</b>	
E	REVISED PER ECO-15-009981	07/07/2015	H.SMITH	
F	REVISED PER ECO-18-002419	03/04/2018	D.JONES	

**TITLE:**

**TINEL-LOCK BACKSHELL**

**ASSY USED ON:**

**MIL-C-5015 MS "V" THREAD END BELLS**



TE CONNECTIVITY - POLAMCO LTD RESERVES THE RIGHT TO AMEND THIS DRAWING AND TO SHOULD IN THEIR APPLICATION.

单击下面可查看定价，库存，交付和生命周期等信息

[>>TE Connectivity\(泰科\)](#)