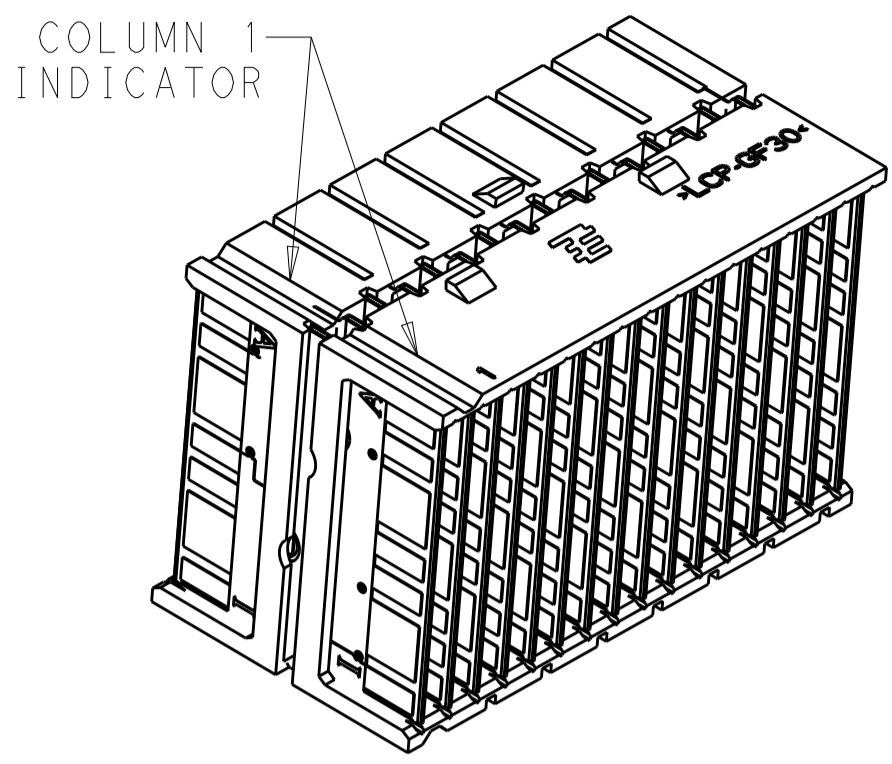
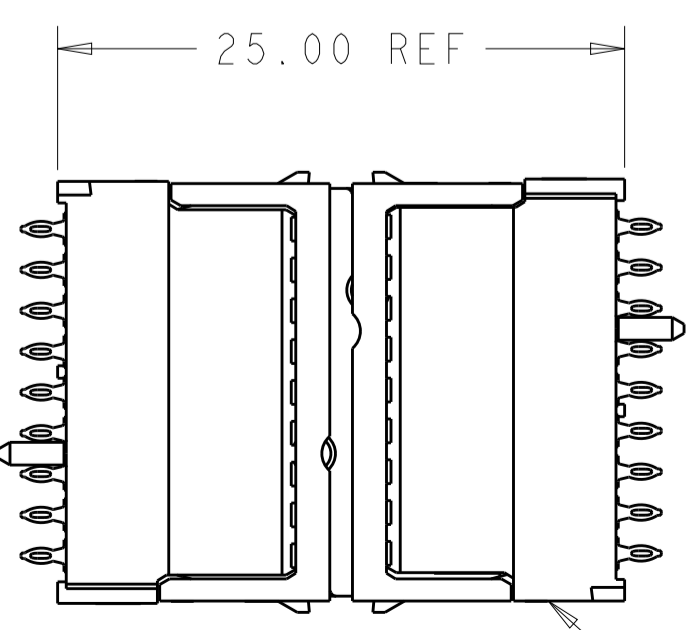
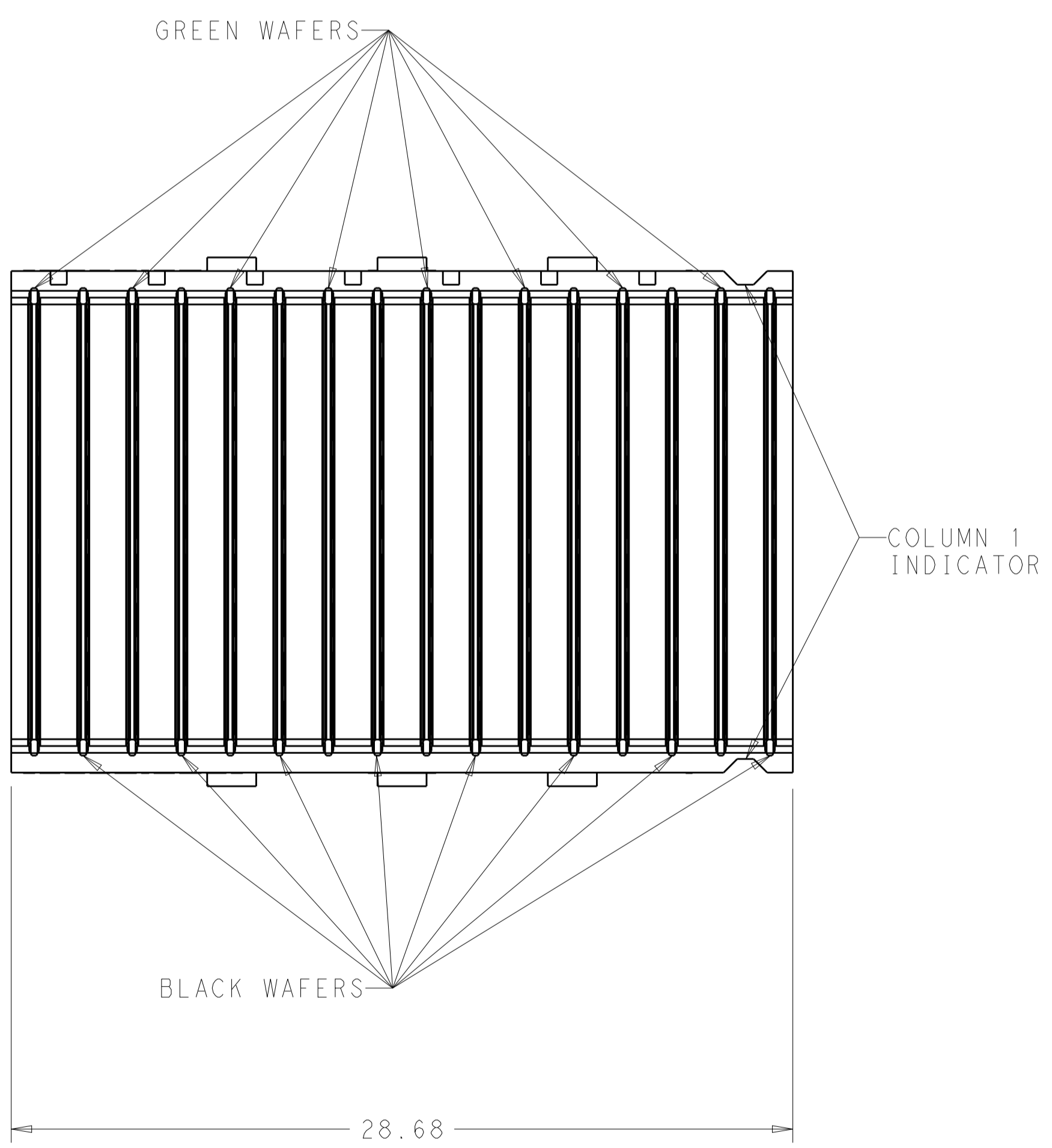
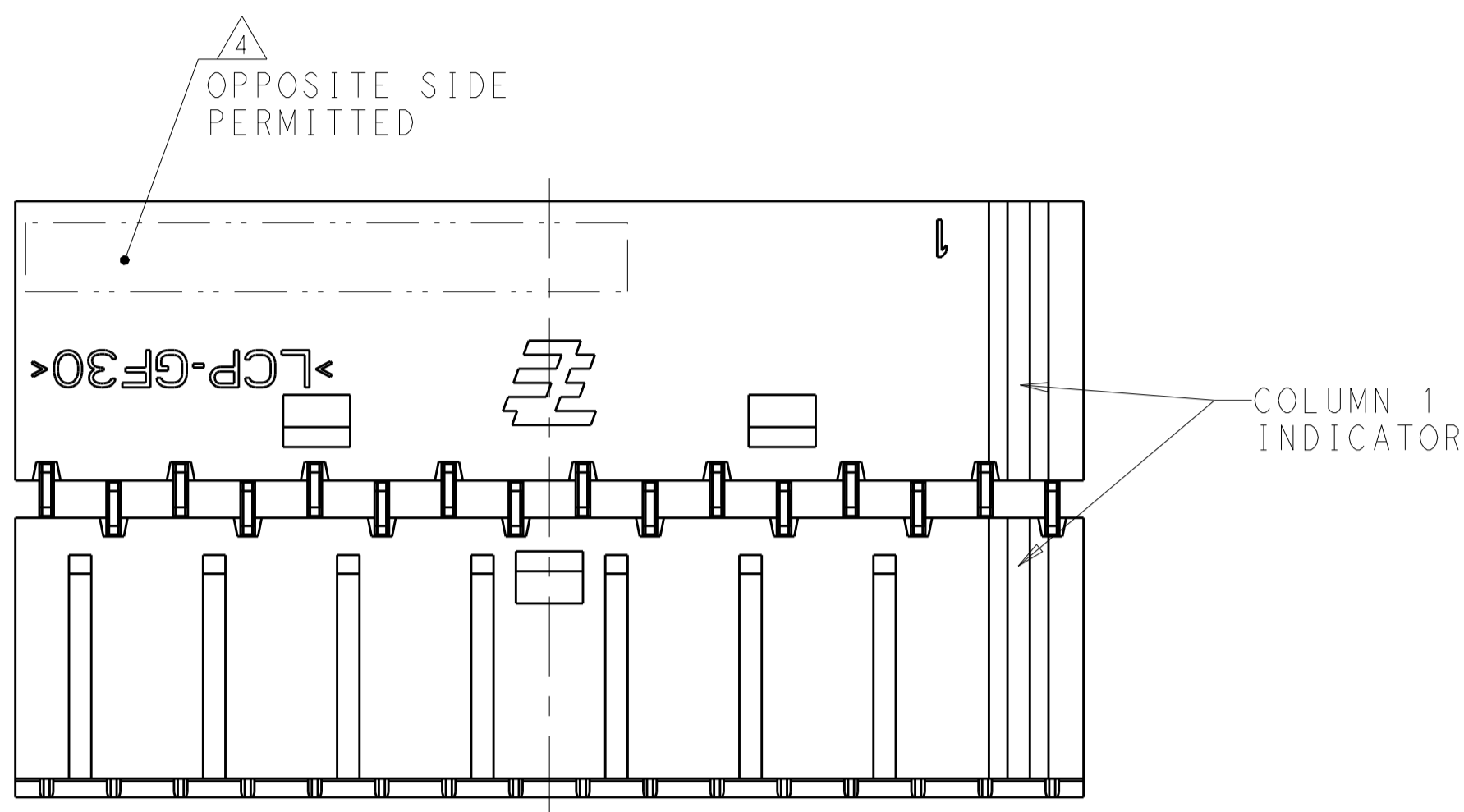


LOC	DIST	REV	DATE	BY	CHK	APPV
-	-	A	06MAY2013	KM	DH	



SCALE 3:1



SCALE 3:1

MATING P/N 1410140, 1410141 OR 1410142

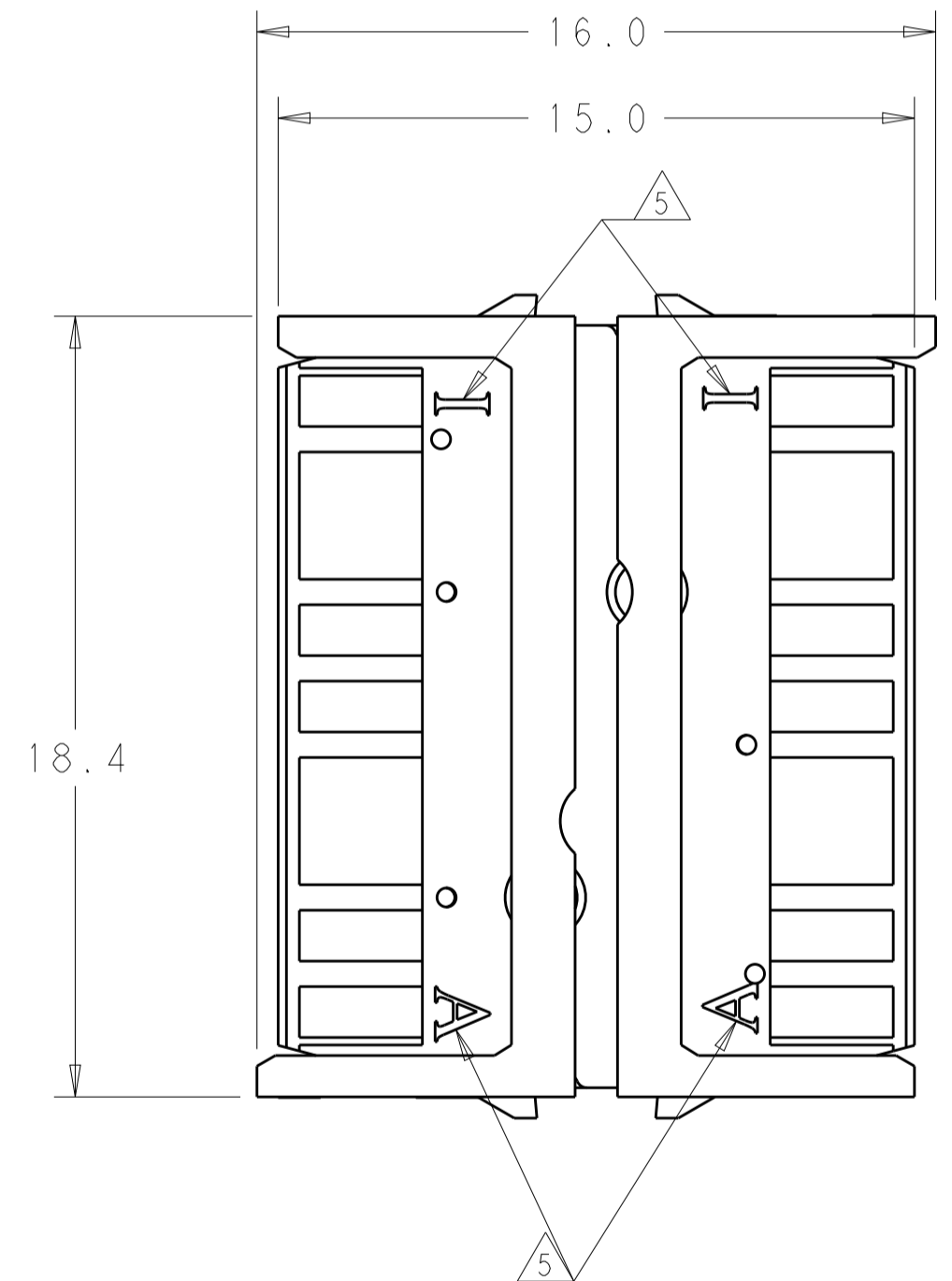
- 1 HOUSING: LCP, UL94V0, COLOR: BLACK. WAFER: FR4.
- 2 CONTACT: 1.27µm MIN GOLD PLATED IN PAD CONTACT AREA OVER 3.81µm MIN NICKEL
- 3. SEE TABLE FOR INTERCONNECTIONS TO BACKPLANE CONNECTOR.
- 4 PART NUMBER AND DATE CODE (yyww) LOCATED ON SURFACE INDICATED.
- 5 ROW INDICATORS

TYPICAL INTERCONNECTIONS FOR EACH ODD-NUMBERED COLUMN (BLACK WAFER): 1, 3, 5, 7, 9, 11, 13, 15

CONTACT USAGE	DAUGHTERCARD/MAIN CARD	MEZZANINE/CARRIER CARD
SIGNAL PAIR	ax	ax
	bx	bx
SIGNAL PAIR	ex	ex
	fx	fx
SIGNAL	ix	ix
GROUPS ALL COMMONED	cx, dx, gx, hx	cx, dx, gx, hx

TYPICAL INTERCONNECTIONS FOR EACH EVEN-NUMBERED COLUMN (GREEN WAFER): 2, 4, 6, 8, 10, 12, 14, 16

CONTACT USAGE	DAUGHTERCARD/MAIN CARD	MEZZANINE/CARRIER CARD
SIGNAL PAIR	cx	cx
	dx	dx
SIGNAL PAIR	gx	gx
	hx	hx
GROUPS ALL COMMONED	ax, bx, ex, fx, ix	ax, bx, ex, fx, ix



2226027-1  
PART NO

THIS DRAWING IS A CONTROLLED DOCUMENT.		OWN: K. MILLER 10MAY2012	TE Connectivity NAME: MEZZANINE CONNECTOR, 25mm STACK HEIGHT, DIFFERENTIAL, 16 WAFER VITA 46, 7 RW, MULTIGIG RT2 SIZE: 114-13056 WEIGHT: - RESTRICTED TO: -
DIMENSIONS: mm		CHK: K. THACKSTON 17MAY2012	
TOLERANCES UNLESS OTHERWISE SPECIFIED:		APPV: M. MCALONIS 16OCT2012	
0 PLC ±0.5 2 PLC ±0.13 3 PLC ±0.013 4 PLC ±0.001 ANGLES ±0.001		PRODUCT SPEC: 108-2072 APPLICATION SPEC: 114-13056 DRAWING NO: 2226027 SCALE: 6:1 SHEET: 1 OF 1 REV: A	
MATERIAL: 1		Customer Drawing	

单击下面可查看定价，库存，交付和生命周期等信息

[>>TE Connectivity\(泰科\)](#)