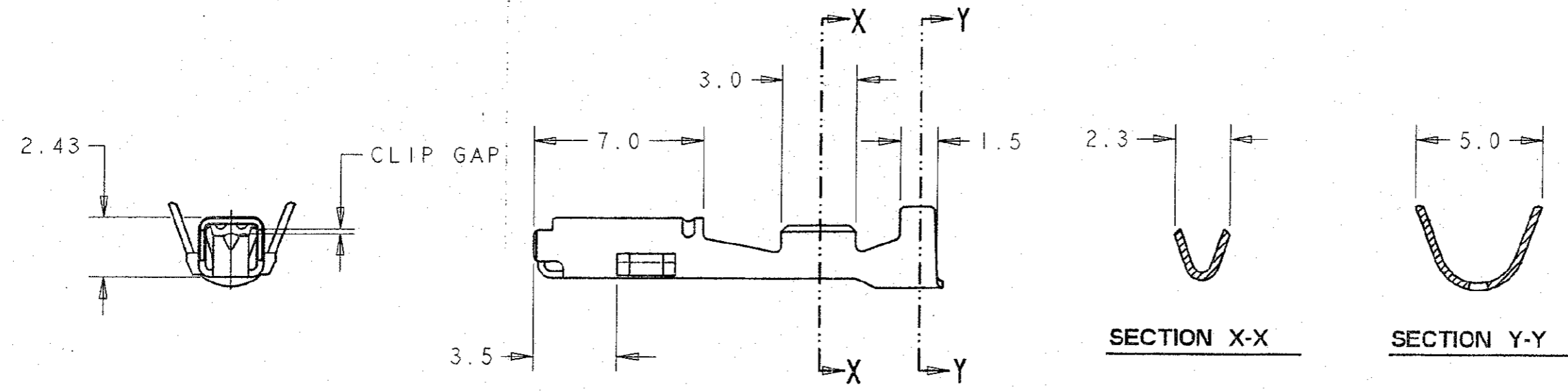
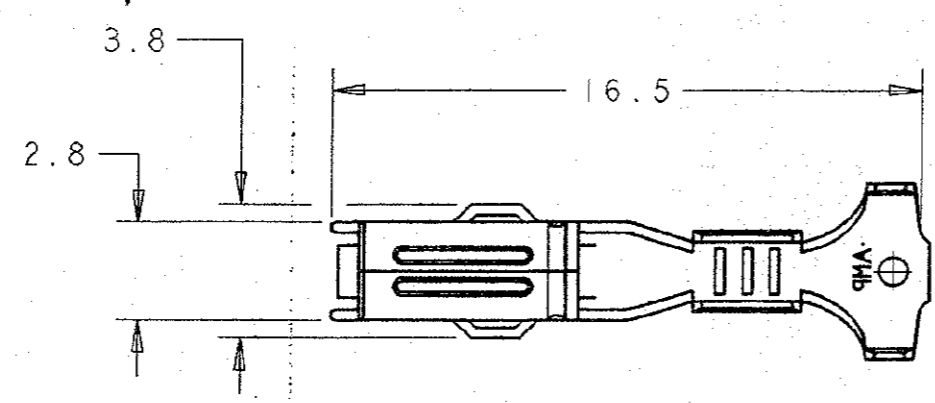
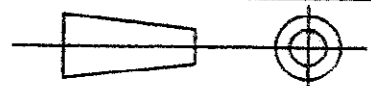


DO NOT SCALE DIMENSIONS IN MM.



WIRE RANGE: 0.2 TO 0.5 mm<sup>2</sup>.  
 FOR SEALED AND UNSEALED APPLICATIONS, SINGLE WIRES ONLY MUST BE USED.

INSULATION RANGE:  
 FOR UNSEALED APPLICATIONS, WIRES OF 1.1 TO 1.8 mm INSULATION DIA. MAY BE USED.  
 FOR SEALED APPLICATIONS, ONLY WIRES OF 1.6 TO 1.8 mm INS. DIA. MAY BE USED WITH SEAL PN.345791-1.

PRE-TINNED		BRASS		345808-1	
FINISH		MATERIAL		PART NUMBER	
CUSTOMER DWG FOR REFERENCE ONLY		© COPYRIGHT 1993 BY AMP OF GREAT BRITAIN LTD. ALL INTERNATIONAL RIGHTS RESERVED. ALL PRODUCTS MAY BE COVERED BY BRITISH AND FOREIGN PATENTS AND/OR PATENTS PENDING.		RELEASED FOR PUBLICATION 01 APR 1993	
		TOLERANCES UNLESS OTHERWISE STATED DEC ± 0.5 ANGLES ± 1°		DR. R.J.S. 1.4.93 CH. R.R. APP. J.P.	
A RELEASED EB00-0041-D1 14.02.91		NAME .070" RECEPTACLE ECONOSEAL 3 L.C.		AMP of Great Britain Ltd. TERMINAL HOUSE STANMORE MIDDX.	
2 BOX WT. TOL ALTERED EB00-0344-95 10.10.95		SCALE 5/1		LOC E	
1 PRELIM. ISSUE		DATE 01.04.93		SIZE A3	
REV MODIFICATION		CHANGE No.		DATE	
				DWG.No. C345808	
				REV SHEET A 1/1	

单击下面可查看定价，库存，交付和生命周期等信息

[>>TE Connectivity\(泰科\)](#)