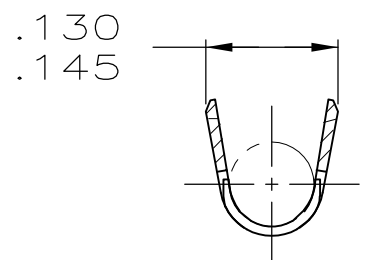
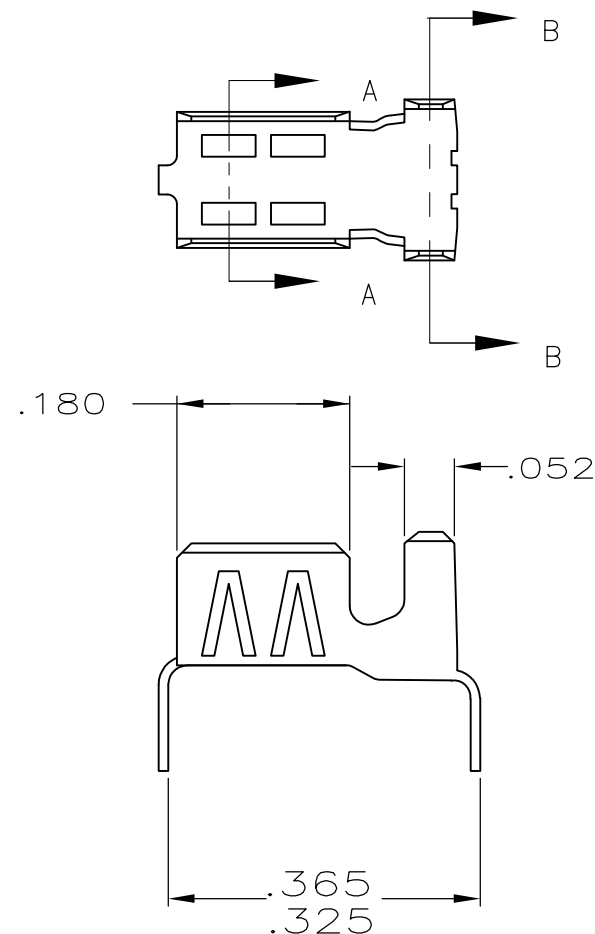
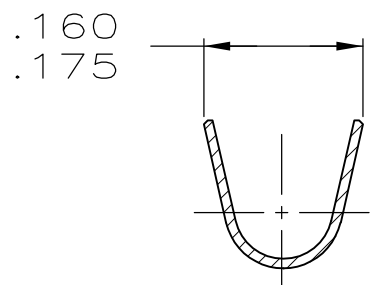


THIS DRAWING IS UNPUBLISHED. RELEASED FOR PUBLICATION
 © COPYRIGHT BY TYCO ELECTRONICS CORPORATION. ALL RIGHTS RESERVED.

LOC	DIST	REVISIONS			
P	LTR	DESCRIPTION	DATE	DWN	APVD
AJ	16	D	RDW & REV PER 0S14-0114-04	05MAY04	JDP JL
		D1	REVISED PER ECO-09-024717	05NOV09	KK AEG

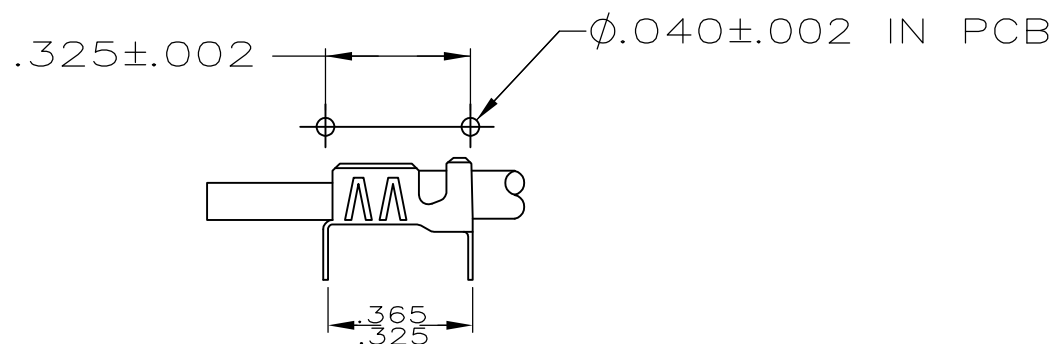


SECTION A-A



SECTION B-B

1. ACCEPT COAX CABLE WITH .095/.110 O.D. JACKETS AND .055/.065 DIELECTRIC O.D. EXAMPLE: RG-174 AND RG-316
2. INSTRUCTION SHEET NO.: 408-2472-2
- 3 TIN-LEAD PLATE PER MIL-P-81728
- 4 TIN PLATE PER ASTM-B-545
5. BRASS PER ASTM-B36, .010 INCHES THICK.
- 6 OBSOLETE PARTS: OBSOLETE CIS STREAMLINING PER D.RENAUD/D.SINISI



BEND TABS AND TERMINATE IN APPLICATOR
 DETAIL A

6	OBSOLETE	4	9-1274043-0
		3	1274043-1
		FINISH	PART NUMBER

THIS DRAWING IS A CONTROLLED DOCUMENT.		DWN	JESS CABARLO	1MAY98	Tyco Electronics Corporation Harrisburg, Pa 17105-3608		
DIMENSIONS: INCHES		CHK	JESS CABARLO	1MAY98	NAME		
TOLERANCES UNLESS OTHERWISE SPECIFIED:		APVD	-	-	PRODUCT SPEC		
0 PLC ± -				APPLICATION SPEC			
1 PLC ± -				SIZE			
2 PLC ± -				CAGE CODE			
3 PLC ± .008				DRAWING NO			
4 PLC ± -				RESTRICTED TO			
ANGLES ± 5°				A3 00779 C-1274043			
MATERIAL SEE NOTE 5		FINISH SEE TABLE		WEIGHT -		SCALE 5:1	
CUSTOMER DRAWING				SHEET 1 OF 1		REV D1	

单击下面可查看定价，库存，交付和生命周期等信息

[>>TE Connectivity\(泰科\)](#)