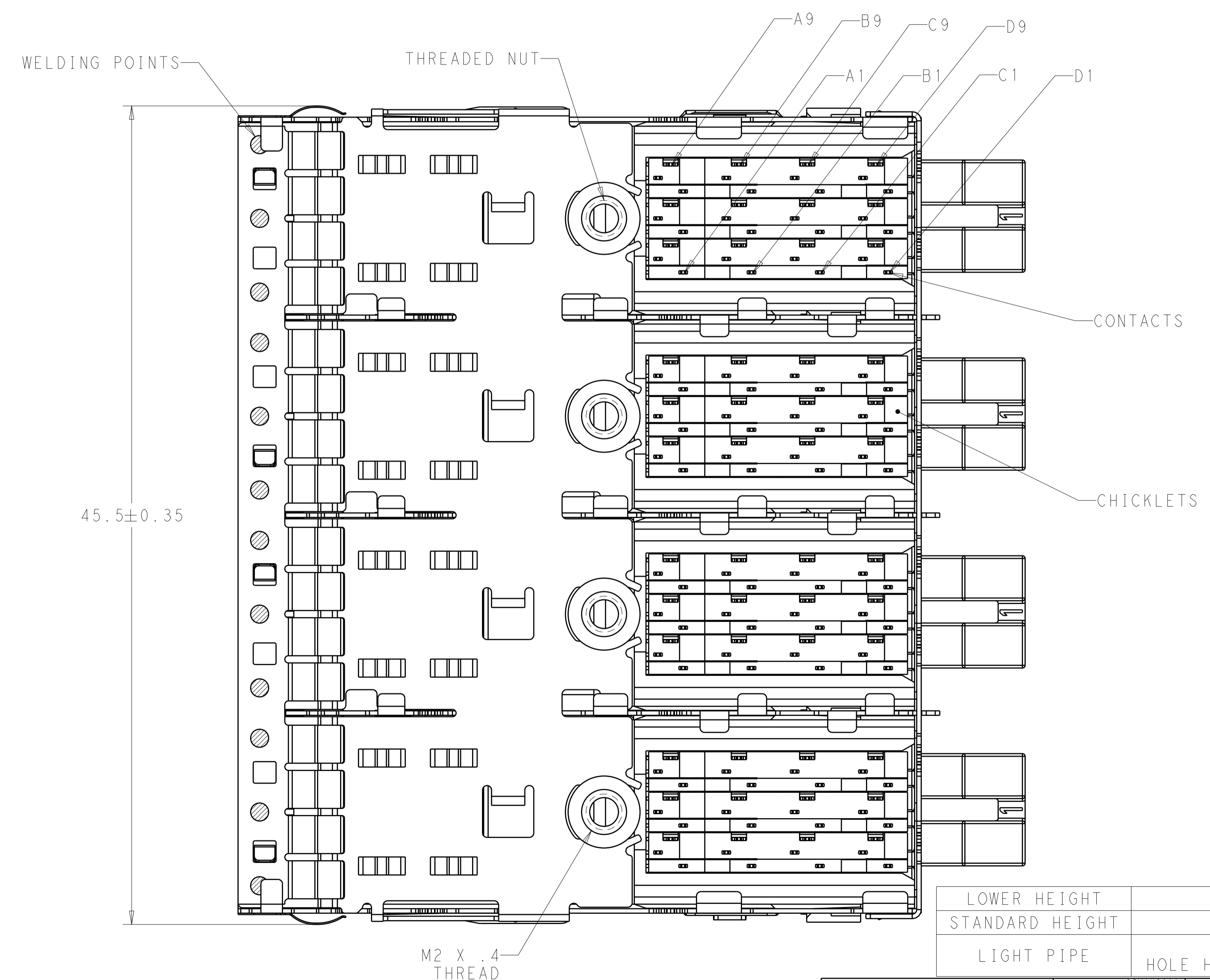
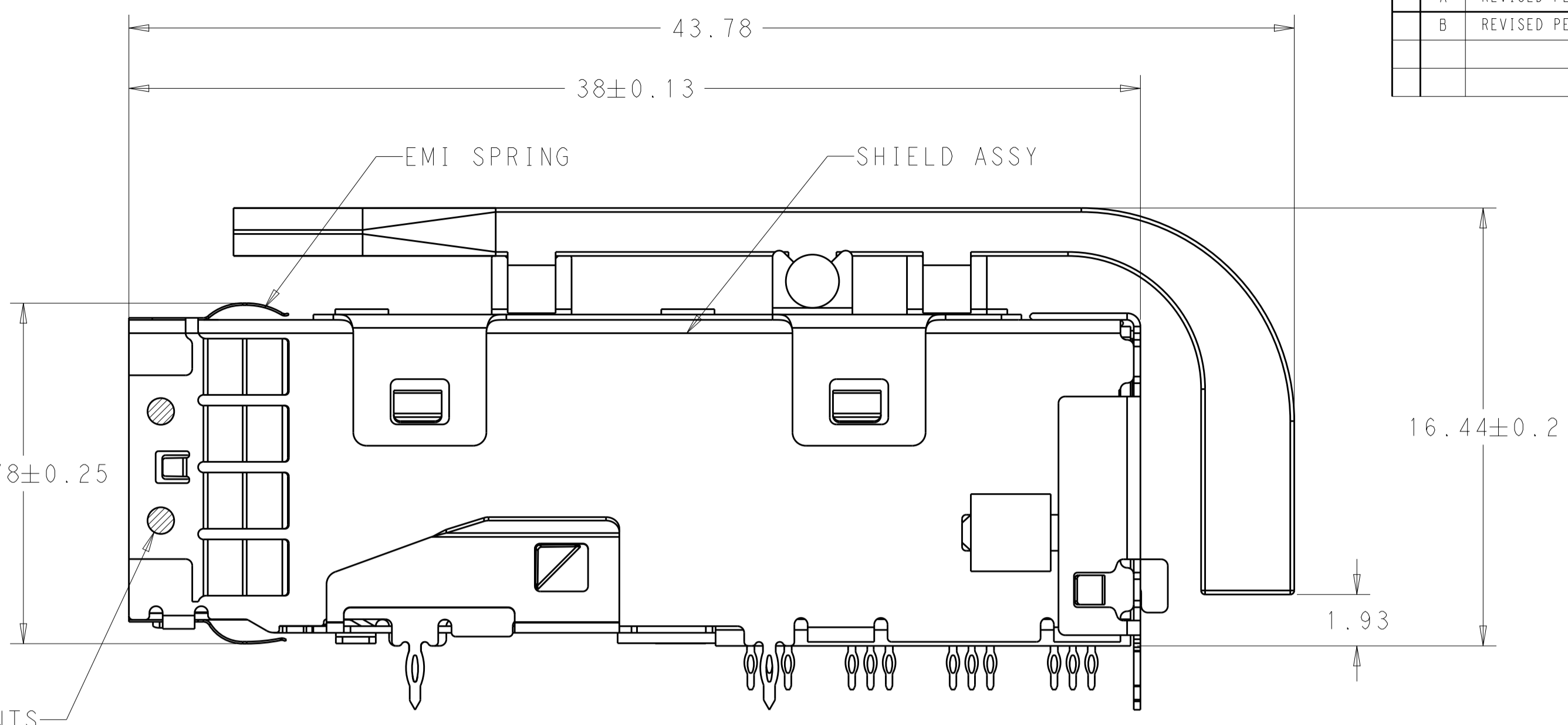
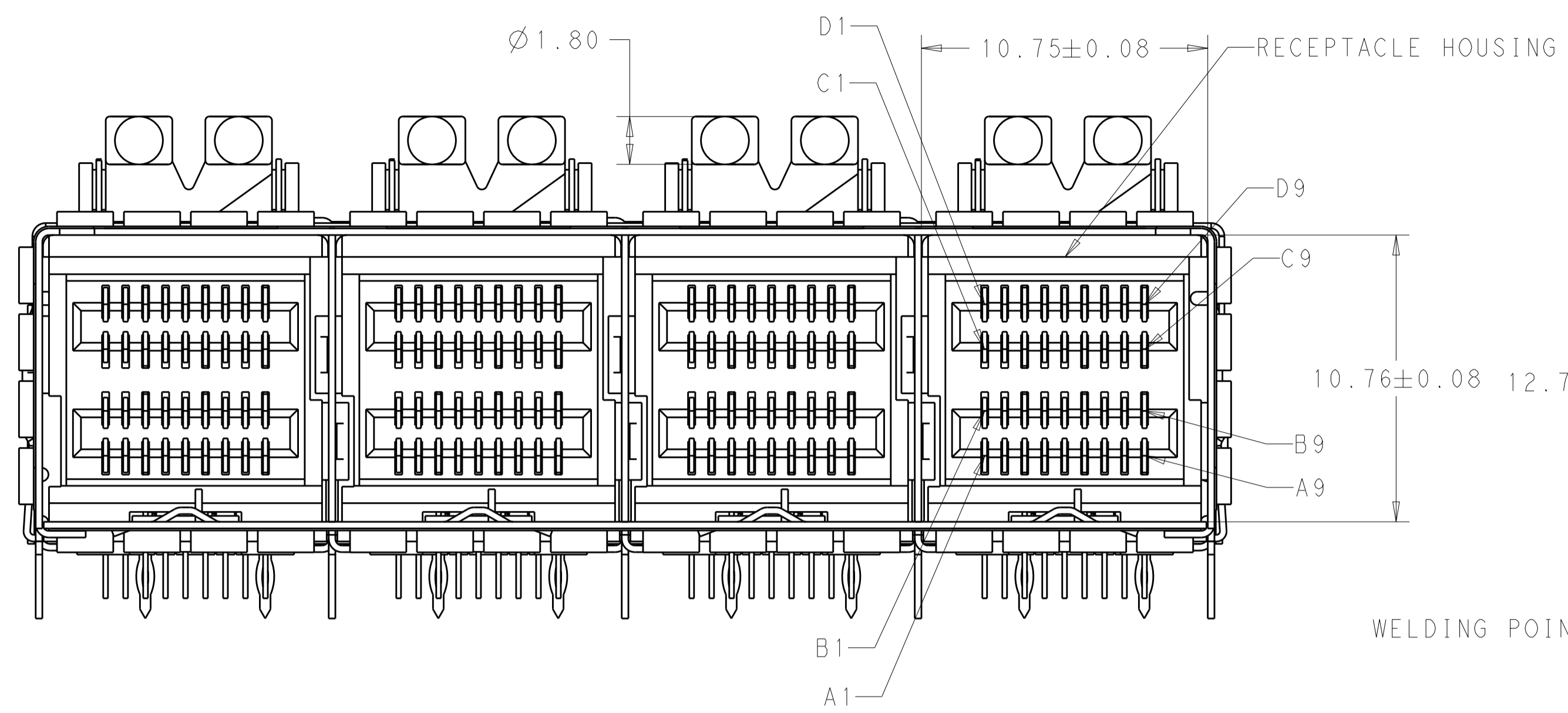


LOC		DIST		REVISIONS			
P	LTN	DESCRIPTION	DATE	DWN	APVD		
A		REVISED PER ECO-14-018497	17DEC2014	AP	DG		
B		REVISED PER ECO-15-013876	19JUN2016	JY	SH		



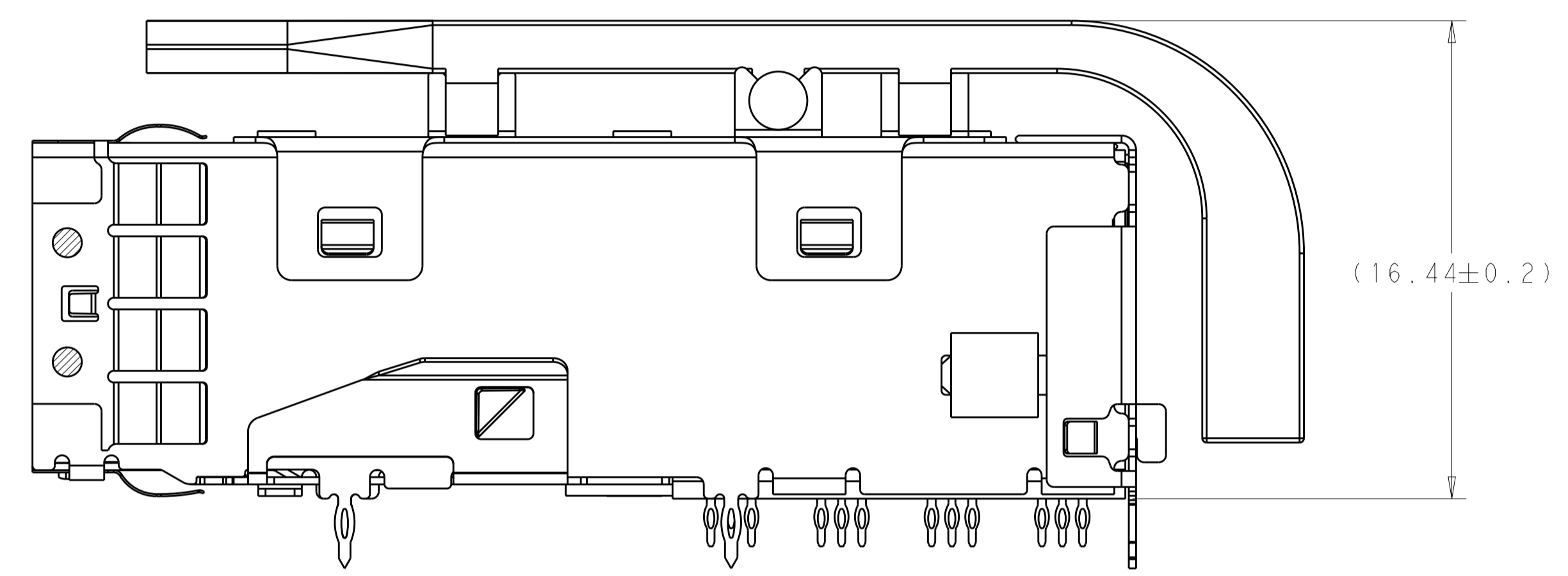
- MATERIALS**
 RECEPTACLE HOUSING: LCP, BLACK, UL94V-0 RATED
 SHIELD ASSY: NICKEL-SILVER COPPER ALLOY
 CONTACTS: COPPER ALLOY
 EMI SPRING: COPPER ALLOY
 THREADED NUT: BRASS
 CHICKLETS: LCP, BLACK, UL 94V-0 RATED
 LIGHTPIPE CLIP: STAINLESS STEEL
 LIGHTPIPE: POLYCARBONATE
 - FINISH**
 EMI SPRING: TIN PLATE OVER NICKEL PLATE
 NON-PLATED EDGES PERMISSABLE
 THREADED NUT: NICKEL PLATE
- △ CONTACT FINISH: CONFORMS TO THE REQUIREMENTS OF TE PRODUCT SPECIFICATION, 108-2462. BASED ON EIA/ECA-364-1000.01A. (CONTROLLED ENVIRONMENT APPLICATIONS) ON MATING END. TIN PLATED ON PCB TAIL
4. THREAD LENGTH OF FASTENER = PCB THICKNESS+1.45 MAX
- △ RECOMMENDED TRACE KEEP OUT ZONE

LOWER HEIGHT	14.53	2180736-2
STANDARD HEIGHT	15.54	2180736-1
LIGHT PIPE	H HOLE HIGHT OF LP	PART NUMBER

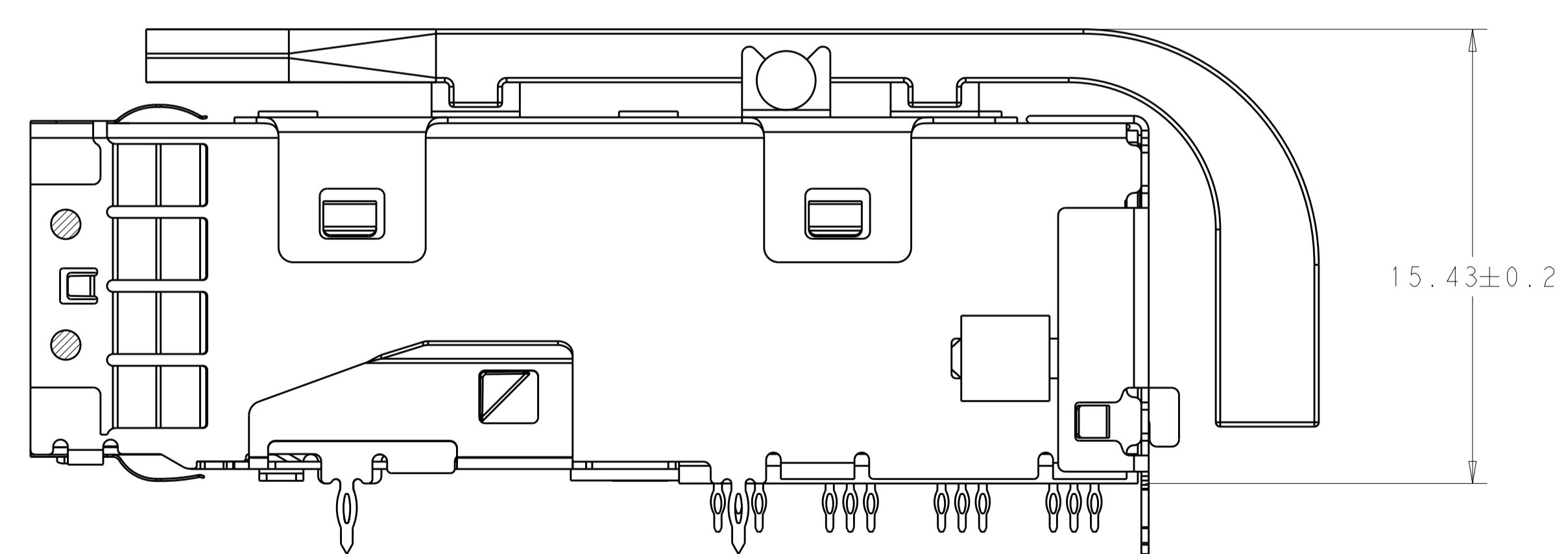
THIS DRAWING IS A CONTROLLED DOCUMENT.		DWN P. KERLIN 25MAY2011	NAME
DIMENSIONS:		CHK J. SECHRIST 25MAY2011	APVD
mm	0 PLC ±	PRODUCT SPEC	108-2462
	1 PLC ±0.25	APPLICATION SPEC	114-13316
	2 PLC ±0.13	WEIGHT	
	3 PLC ±	CUSTOMER DRAWING	
	4 PLC ±	SCALE	6:1
	ANGLES ±	SHEET	1 OF 4
MATERIAL	FINISH	RESTRICTED TO	REV B

2180736-1 AS SHOWN

LOC	DIST	REVISIONS			
P.	LTH	DESCRIPTION	DATE	DMN	APVD
-	-	SEE SHEET 1	-	-	-



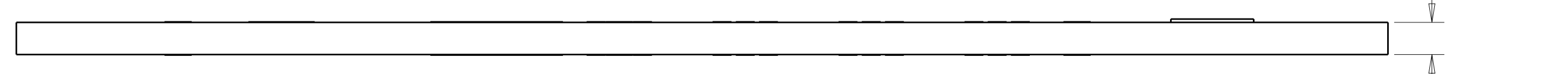
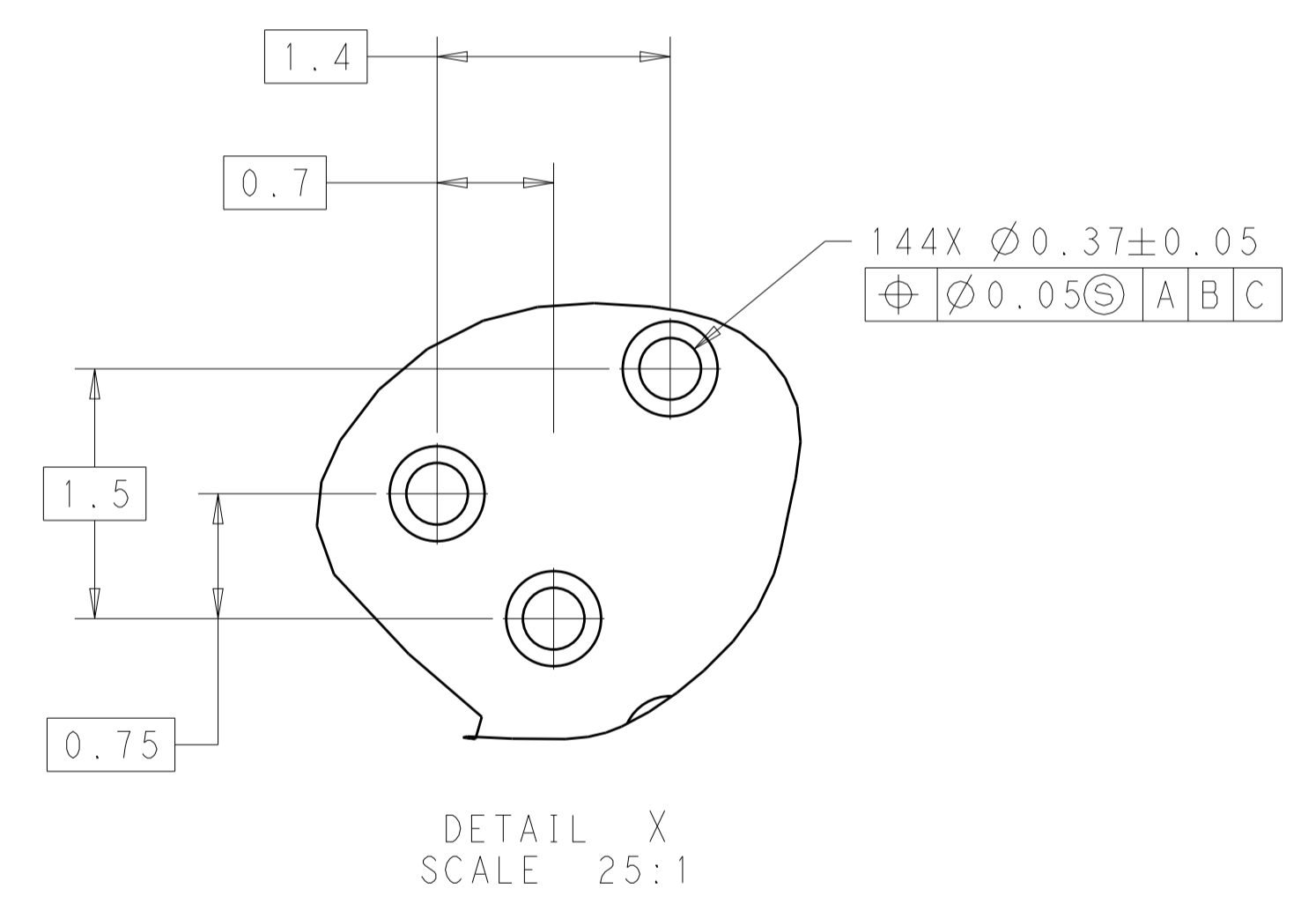
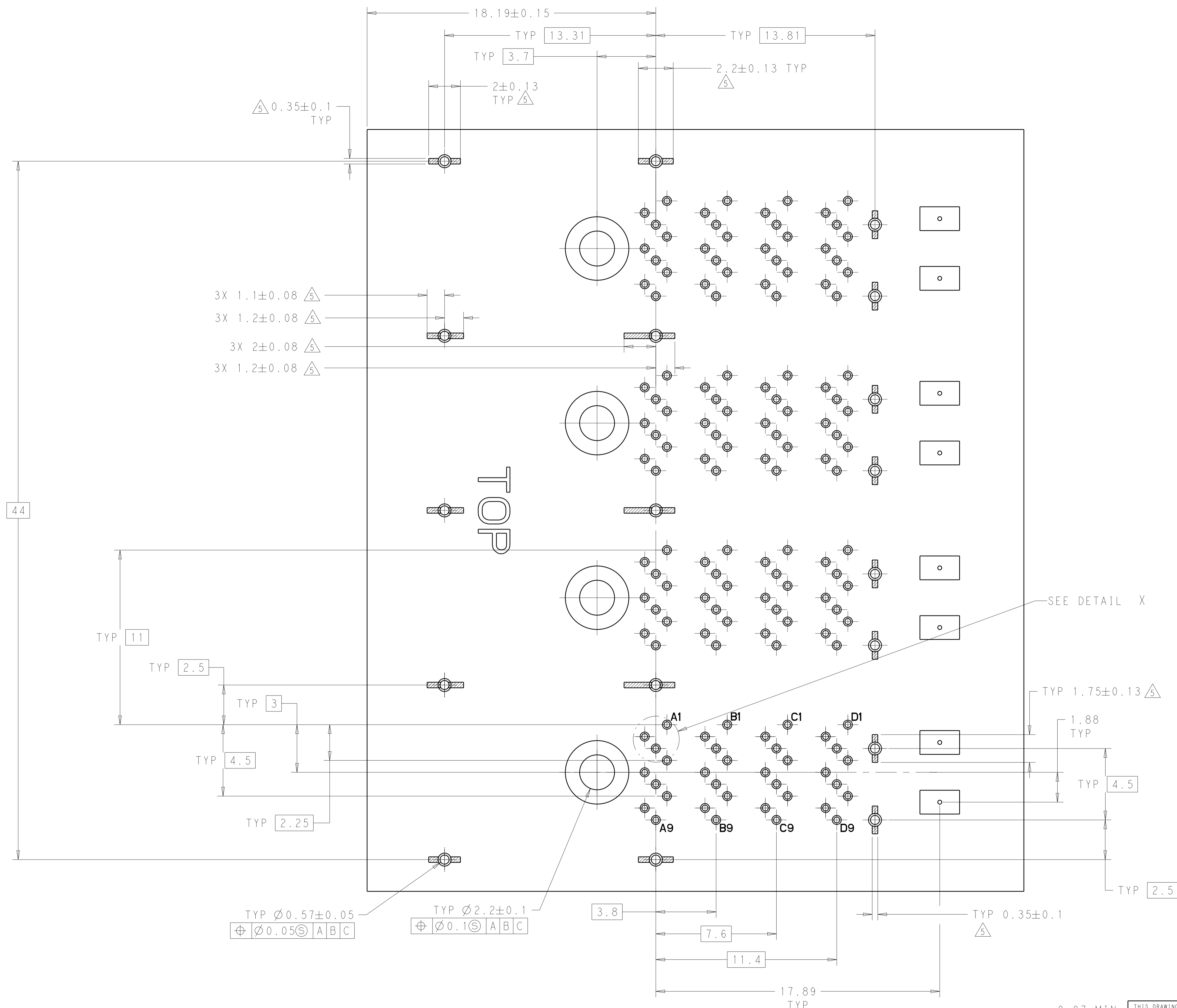
2180736-1 AS SHOWN
 SCALE 6:1



2180736-2 AS SHOWN
 UNSPECIFIED DIMENSOSNS ARE ASME AS 2180736-1
 SCALE 6:1

THIS DRAWING IS A CONTROLLED DOCUMENT.		DMN P. KERLIN 25MAY2011	
		CHK J. SECHRIST 25MAY2011	
DIMENSIONS:		NAME RECEPTACLE ASSEMBLY, MINI-SAS HD, 4X W/ LIGHT PIPES	
mm	TOLERANCES UNLESS OTHERWISE SPECIFIED:	PRODUCT SPEC 108-2462	RESTRICTED TO
	0 PLC ±	APPLICATION SPEC 114-13316	SIZE A100779C=2180736
	1 PLC ±0.25	WEIGHT	SCALE 6:1 SHEET 2 OF 4 REV B
	2 PLC ±0.13	Customer Drawing	
	3 PLC ±		
	4 PLC ±		
	ANGLES ±		
	FINISH		

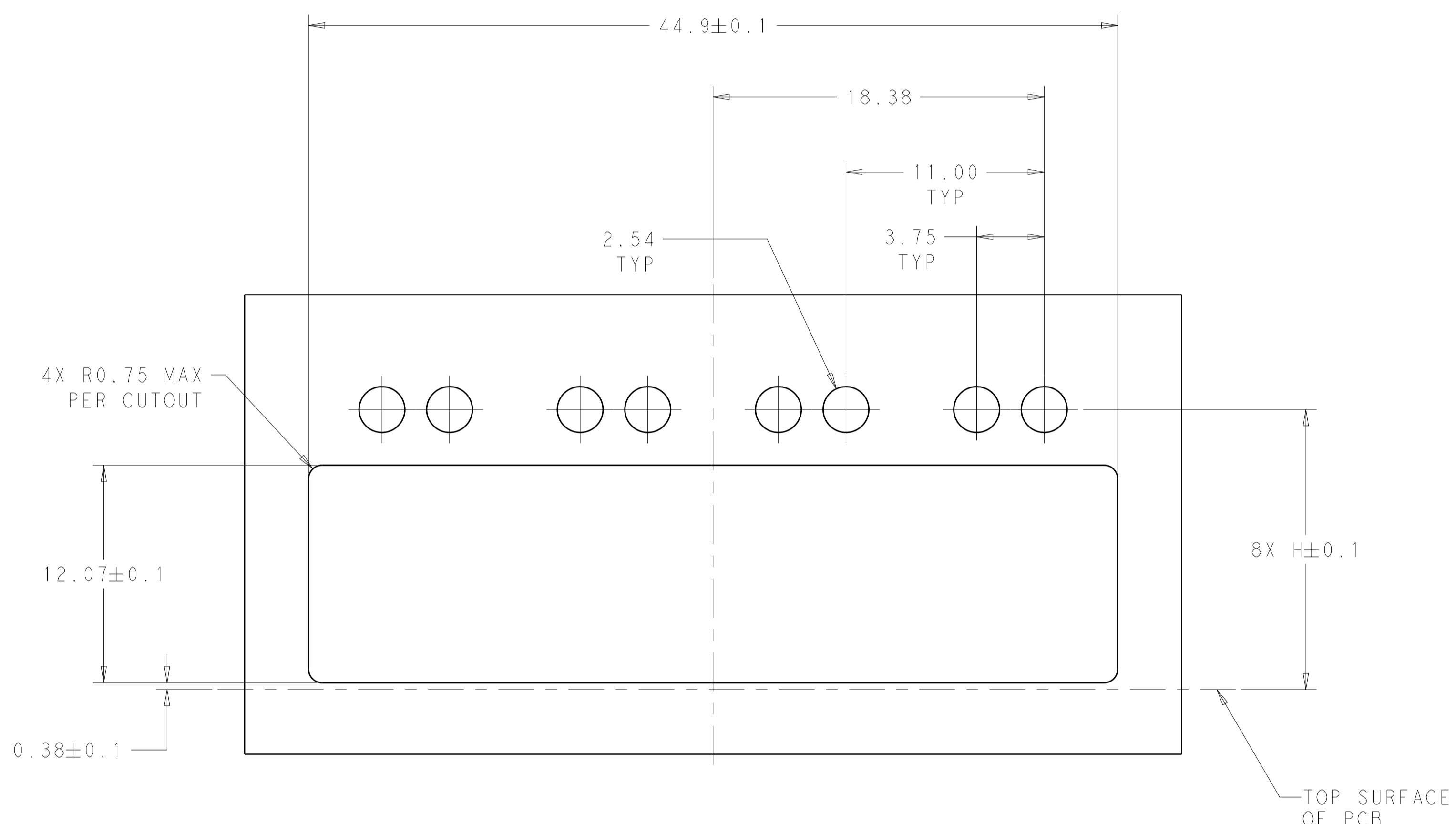
LOC	DIST	REVISIONS			
P.	LTN	DESCRIPTION	DATE	DMN	APVD
-	-	SEE SHEET 1	-	-	-



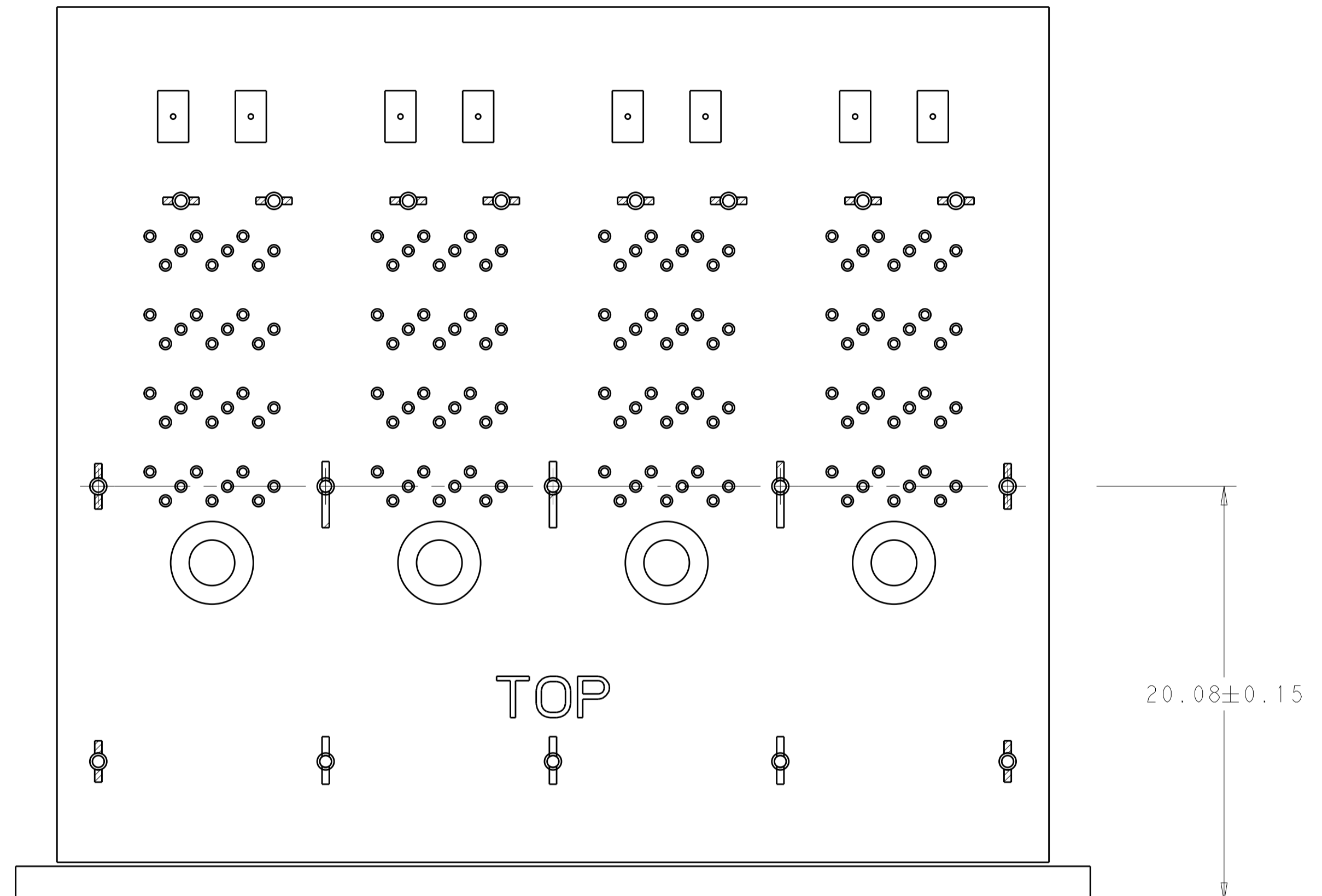
RECOMMENDED PCB LAYOUT

THIS DRAWING IS A CONTROLLED DOCUMENT.		DMN P. KERLIN 25MAY2011	NAME STE TE Connectivity
DIMENSIONS: mm		CHK J. SECHRIST 25MAY2011	PRODUCT SPEC 108-2462
TOLERANCES UNLESS OTHERWISE SPECIFIED:		APVD	APPLICATION SPEC 114-13316
0 PLC ±		SIZE A1	RESTRICTED TO
1 PLC ±0.25		CAGE CODE 100779	DRAWING NO C=2180736
2 PLC ±0.13		WEIGHT	SCALE 5:1
3 PLC ±		Customer Drawing	SHEET 3 OF 4
4 PLC ±			REV B
ANGLES ±			
FINISH			

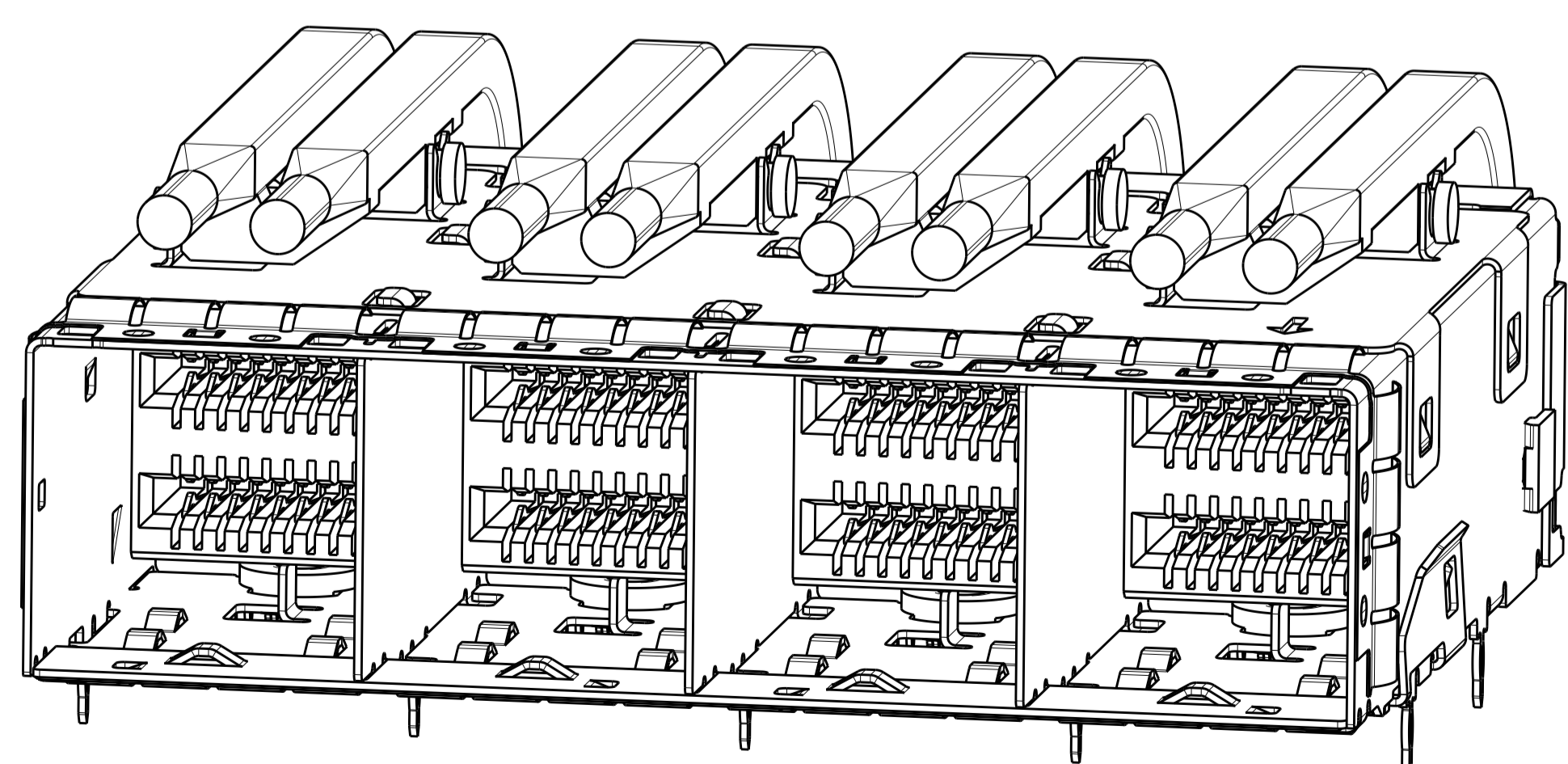
LOC	DIST	REVISIONS			
P.	LTH	DESCRIPTION	DATE	DWN	APVD
-	-	SEE SHEET 1	-	-	-



RECOMMENDED I/O PANEL CUTOUT
 SCALE=5:1



PANEL/PCB ASSEMBLY
 SCALE 5:1



THIS DRAWING IS A CONTROLLED DOCUMENT.		DWN P. KERLIN CHK J. SECHRIST	25MAY2011 25MAY2011	
DIMENSIONS: mm		TOLERANCES UNLESS OTHERWISE SPECIFIED:		
		0 PLC ±	1 PLC ±0.25	NAME RECEPTACLE ASSEMBLY, MINI-SAS HD, 4X W/ LIGHT PIPES
MATERIAL		2 PLC ±0.13	3 PLC ±	PRODUCT SPEC 108-2462
FINISH		4 PLC ±	ANGLES ±	APPLICATION SPEC
Customer Drawing		WEIGHT	114-13316	SIZE A100779
SCALE 5:1		SHEET 4 OF 4		REV B

单击下面可查看定价，库存，交付和生命周期等信息

[>>TE Connectivity\(泰科\)](#)