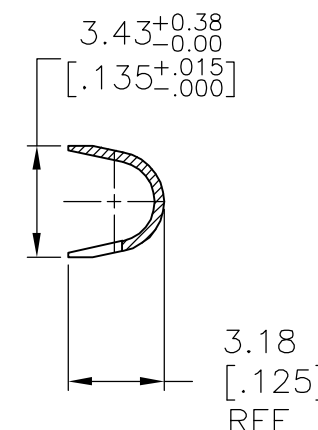
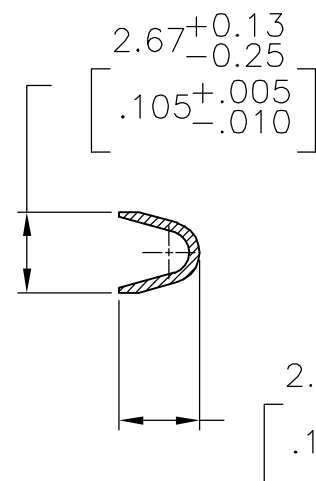
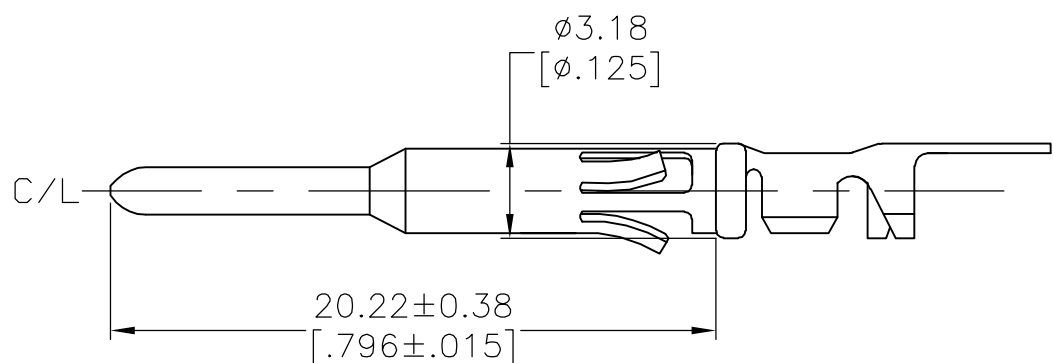
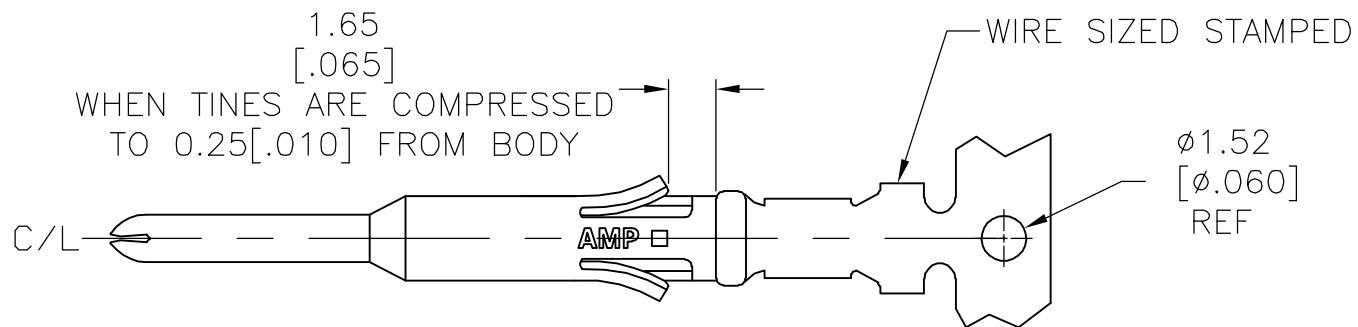


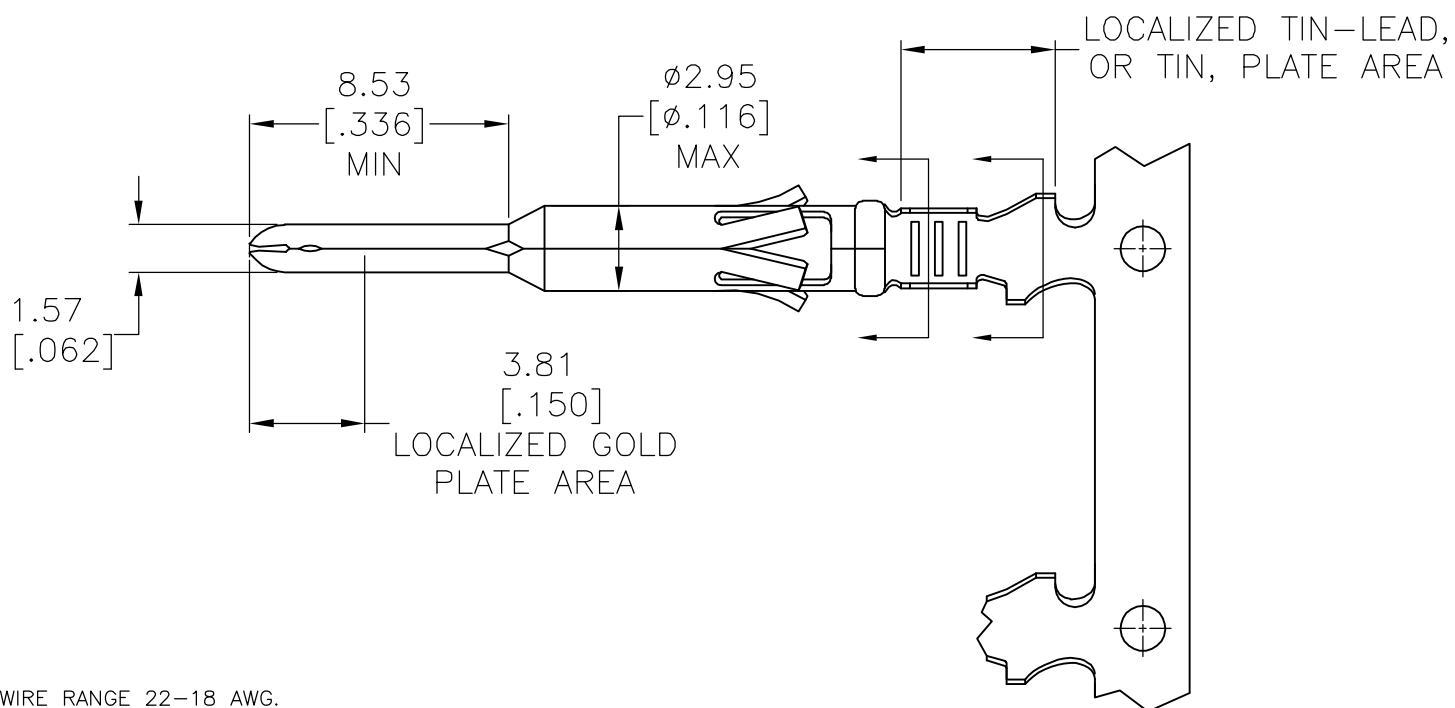
THIS DRAWING IS UNPUBLISHED. RELEASED FOR PUBLICATION
 © COPYRIGHT BY TYCO ELECTRONICS CORPORATION. ALL RIGHTS RESERVED.

LOC	DIST	REVISIONS			
P	LTR	DESCRIPTION	DATE	DWN	APVD
FT	0	F1	REV PER ECO-05-13552	11/16/05	SS GS



SECTION B-B

SECTION A-A



DESCRIPTION	FINISH	PART NUMBER
REVERSE REELED FOR MINI-APPLICATOR	△7	66581-7
REVERSE REELED FOR MINI-APPLICATOR	△4	66581-4
-	△4	66581-3
REVERSE REELED FOR MINI-APPLICATOR	△5	66581-2
-	△5	66581-1

- WIRE RANGE 22-18 AWG.
 - INSULATION RANGE 1.27-2.79 [.050-.110] DIA.
 - FOR LOOSE PIECE PART SEE DWG 66591.
- △7 0.76 μm [.000030] MIN GOLD IN LOCALIZED GOLD PLATE AREA, 1.27 μm [.000050] MIN TIN-LEAD IN LOCALIZED TIN-LEAD PLATE AREA, BOTH OVER 1.27 μm [.000050] MIN NICKEL.
 - △5 TIN PLATED.
 - △6 GOLD PLATING PER MIL-G-45204, TIN PER MIL-T-10727 AND NICKEL PER QQ-N-290.
 - △7 0.76 μm [.000030] MIN GOLD IN LOCALIZED GOLD PLATE AREA, 1.27 μm [.000050] MIN TIN IN LOCALIZED TIN PLATE AREA, BOTH OVER 1.27 μm [.000050] MIN NICKEL.

THIS DRAWING IS A CONTROLLED DOCUMENT.		DWN V. FURLER 15MAY2003	Tyco Electronics Corporation Harrisburg, PA 17105-3608	
DIMENSIONS: mm [INCHES]	TOLERANCES UNLESS OTHERWISE SPECIFIED:	CHK G. STEINHAUER 16MAY03	NAME	
	0 PLC ± -	APVD G. STEINHAUER 16MAY03	CONTACT, PIN, STRIP, TYPE VI, MULTIMATE	
	1 PLC ± -	PRODUCT SPEC	-	
	2 PLC ± 0.13 [.005]	APPLICATION SPEC	SIZE	CAGE CODE
	3 PLC ± -	WEIGHT	A3	00779
MATERIAL BRASS MIL-C-50	FINISH SEE TABLE △6	DRAWING NO		RESTRICTED TO
		G-66581		-
CUSTOMER DRAWING			SCALE	SHEET
			NTS	1 OF 1
			REV	F1

单击下面可查看定价，库存，交付和生命周期等信息

[>>TE Connectivity\(泰科\)](#)