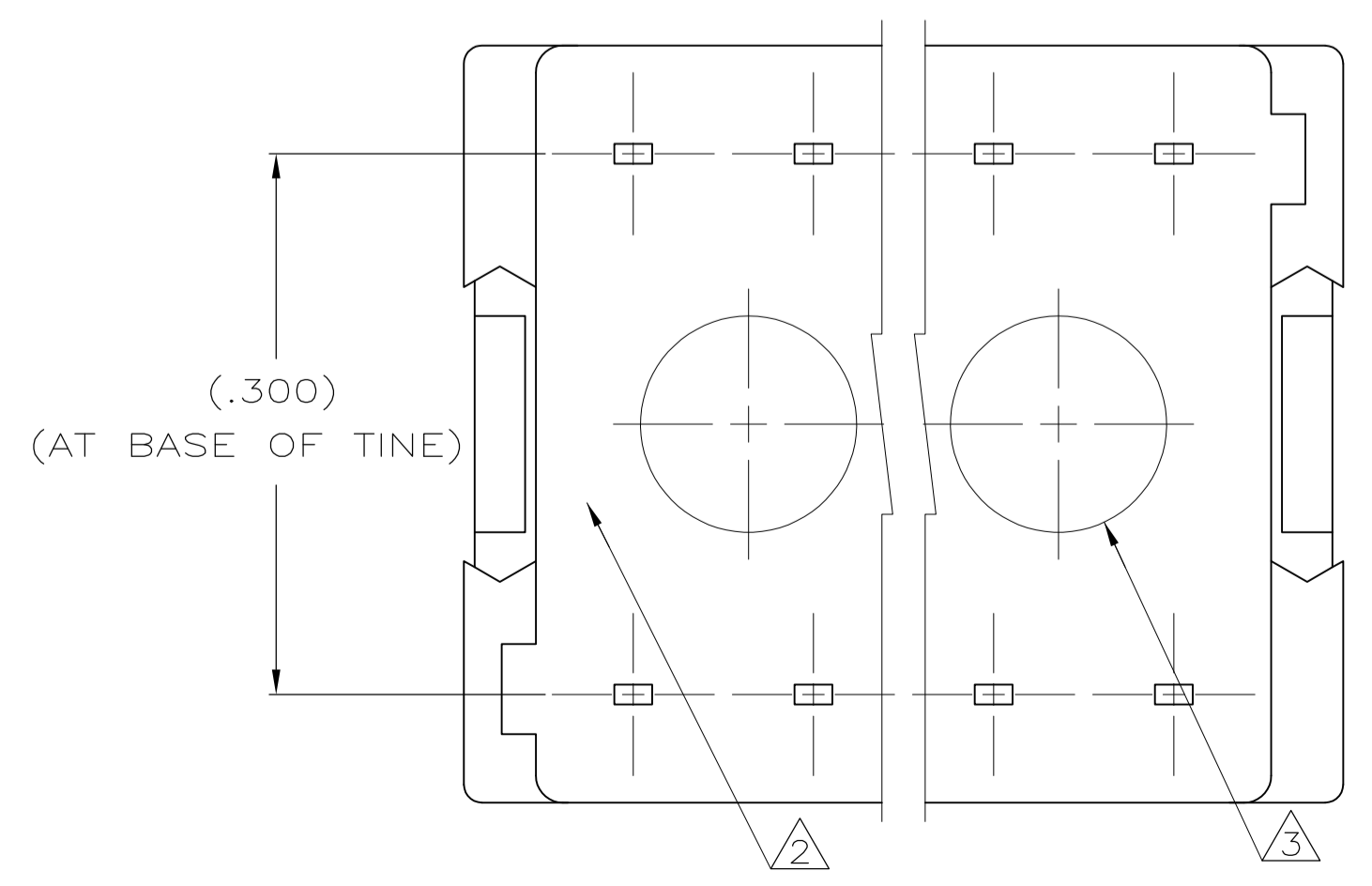
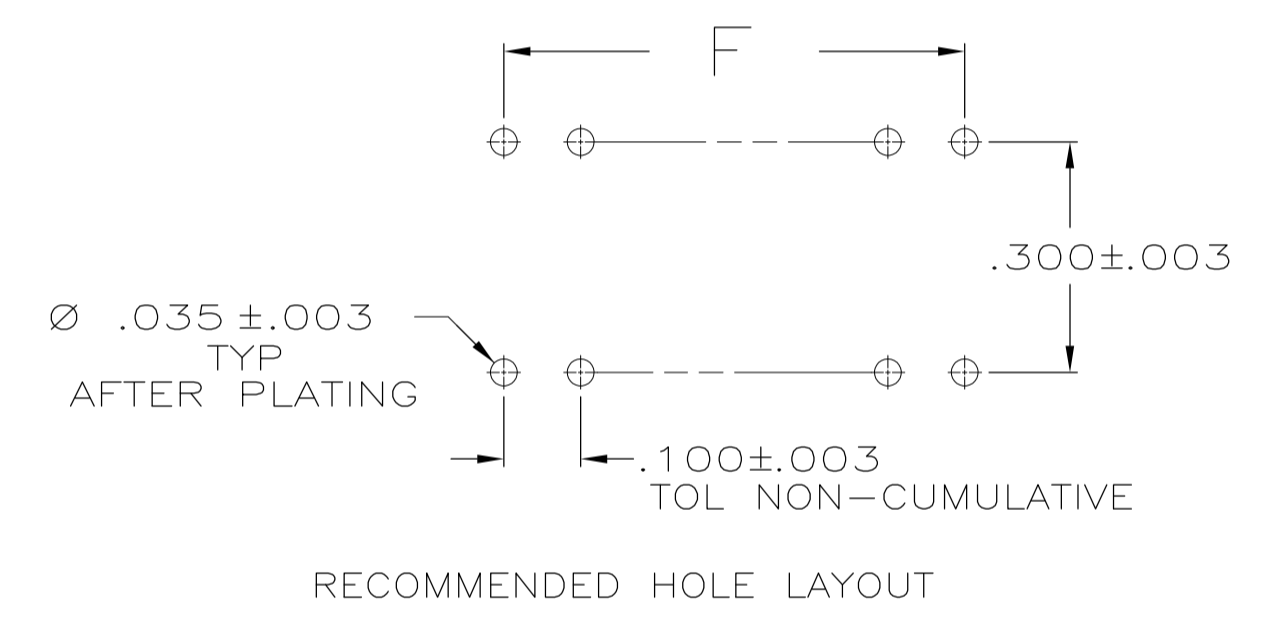
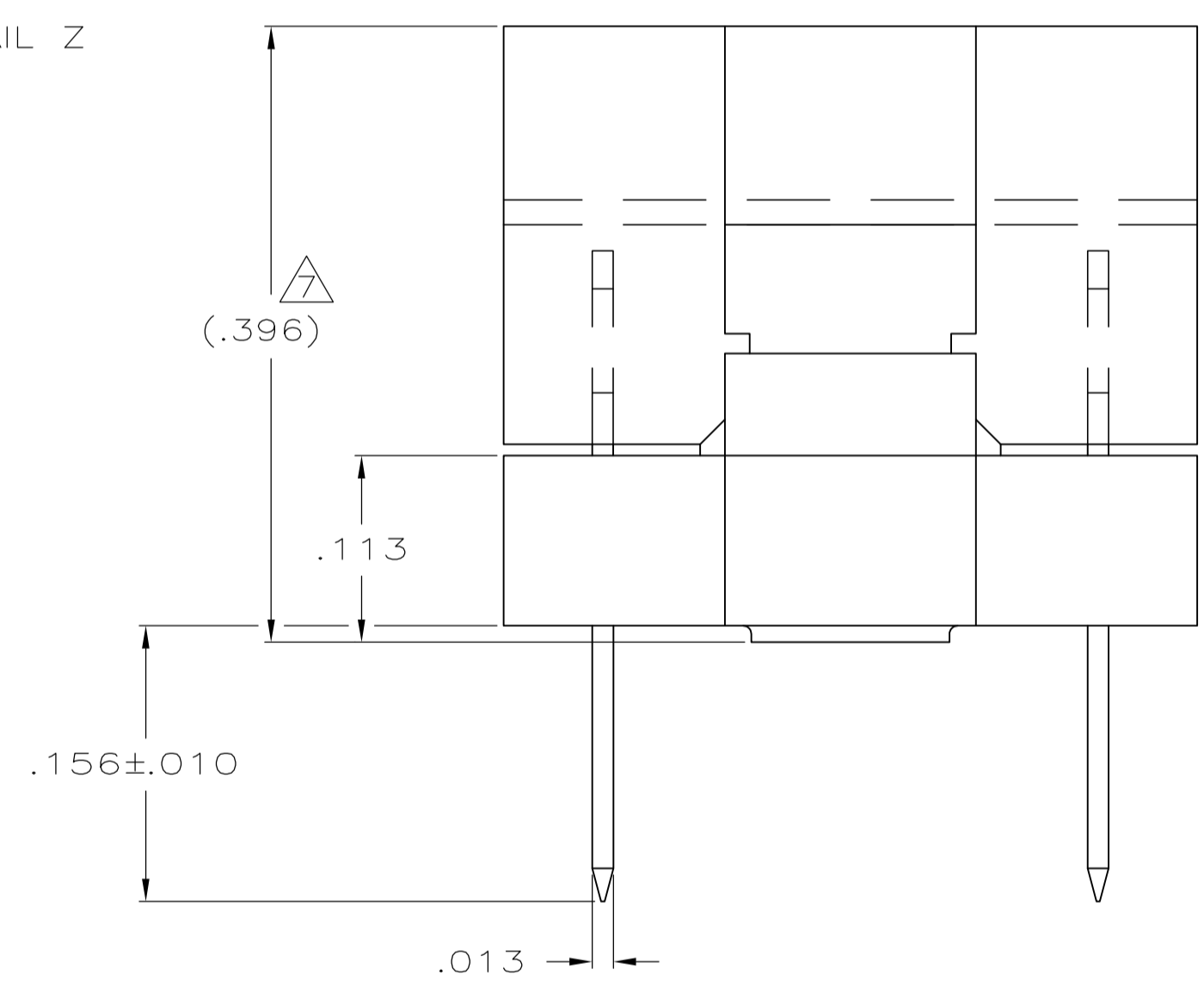
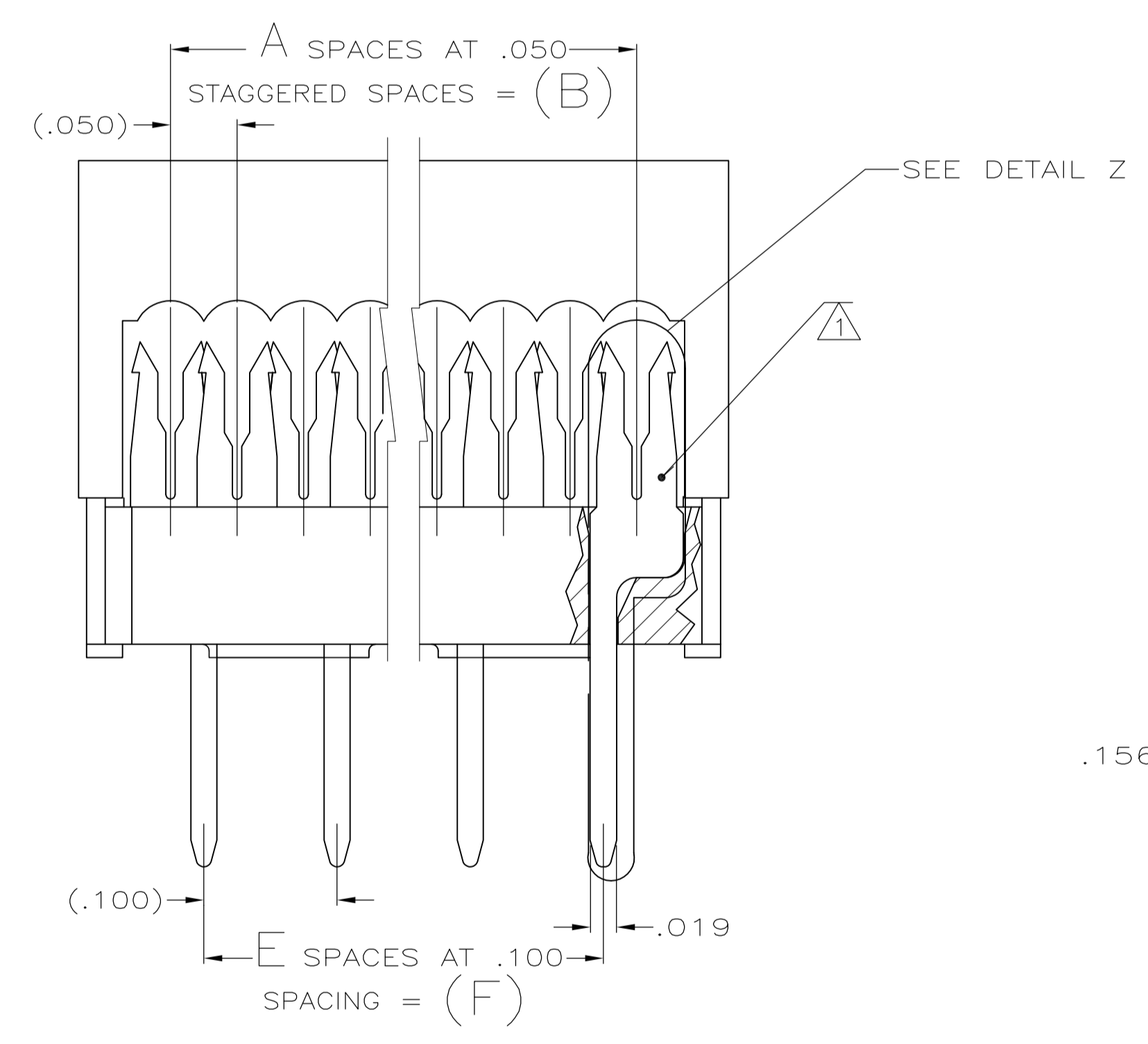


- ① CONTACTS DESIGNED FOR 26 & 28 AWG STRANDED OR 26, 28 & 30 AWG SOLID WIRE.
- ② AMP TRADEMARK LOCATED IN APPROX AREA SHOWN.
- ③ STANDOFFS: POSN 8 (2) STANDOFFS AS SHOWN. POSN 14-18 (3) STANDOFFS, (1) CENTERED BETWEEN (2) SHOWN
- ④ PLATED WITH .000005 MIN GOLD IN IDC AREA OVER .000050 MIN NICKEL.
- ⑤ PLATED WITH .000015 GOLD OVER .000050 NICKEL.
- ⑥ GOLD FLASH OVER .000050 NICKEL.
- ⑦ HEIGHT AFTER TERMINATION IS (.253).
- ⑧ INDICATES NO 1 POSITION.
- ⑨ MOLDED PARTS: THERMOPLASTIC, 94V-0 RATED, BLACK. CONTACTS: PHOSPHOR BRONZE.



.700	7	.888	.700	.750	15	16	5746612-3
.600	6	.788	.600	.650	13	14	5746612-2
F	E	D	C	B	A	NO OF POSN	PART NUMBER
THIS DRAWING IS A CONTROLLED DOCUMENT.		DIN G. ATTADIA - DOCKS 11-29-04		TE Connectivity			
DIMENSIONS: INCHES		TOLERANCES UNLESS OTHERWISE SPECIFIED:		APVD M. WALMSLEY 11-29-04		NAME	
0. PLC ± -		1. PLC ± -		PRODUCT SPEC		KIT, DIP PLUG, PREASSEMBLED, .100 X .300, 15 GOLD	
2. PLC ± -		3. PLC ± .005		APPLICATION SPEC		108-40013	
3. PLC ± -		4. PLC ± -		SIZE		114-40005	
4. PLC ± -		ANGLES ± -		WEIGHT		A1 00779 C=5746612	
MATERIAL ⑨		FINISH ④⑤⑥		CUSTOMER DRAWING		SCALE 10:1 SHEET 1 OF 1 REV B	

单击下面可查看定价，库存，交付和生命周期等信息

[>>TE Connectivity\(泰科\)](#)