

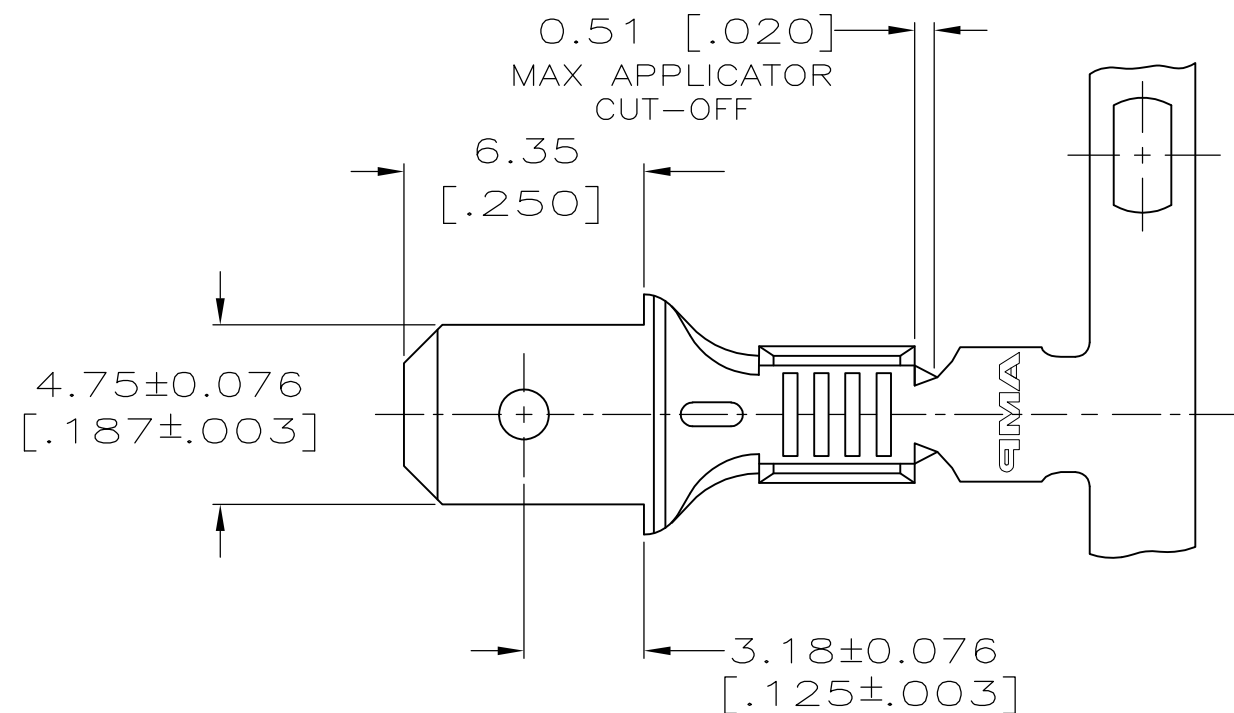
THIS DRAWING IS UNPUBLISHED.

RELEASED FOR PUBLICATION

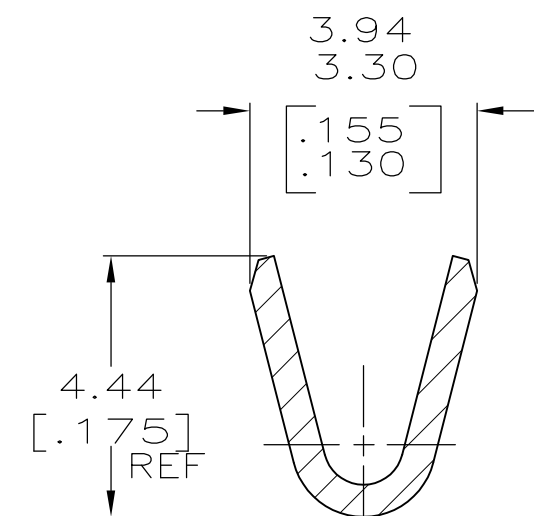
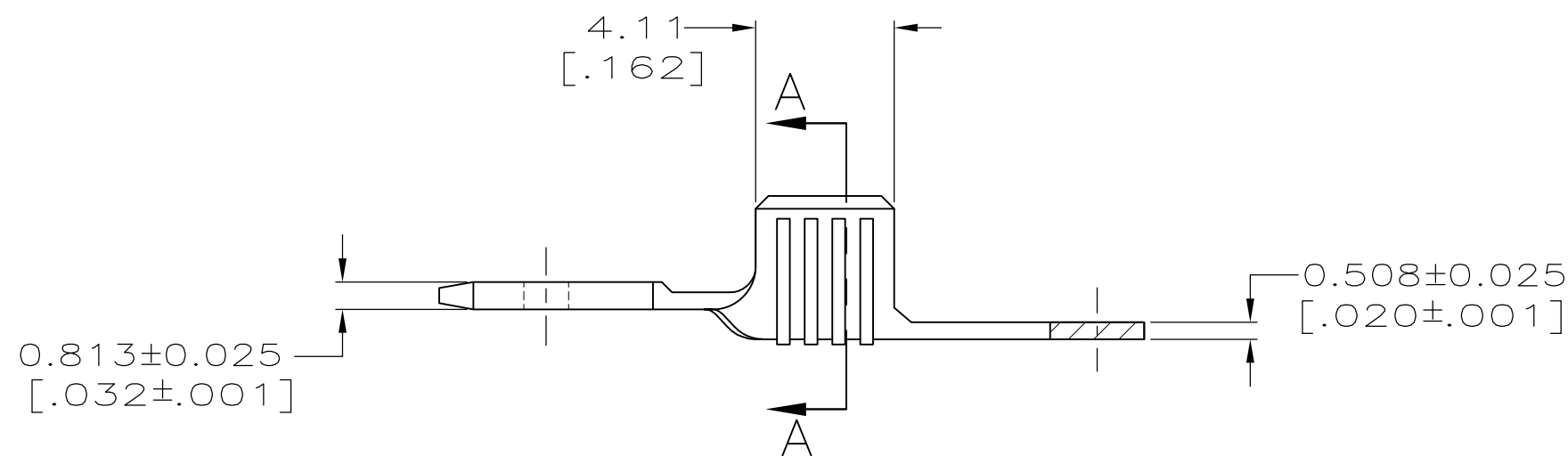
ALL RIGHTS RESERVED.

© COPYRIGHT - By -

LOC	DIST	REVISIONS			
P	LTR	DESCRIPTION	DATE	DWN	APVD
AF	50	C	REVISED PER ECR-13-011489	29NOV2013	KH PD




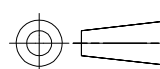
- 1 CONTINUOUS STRIP ON REELS.
- 2 WIRE SIZE TO BE [#18-#14] AWG.



SECTION A-A

63919-1

PART NO.

THIS DRAWING IS A CONTROLLED DOCUMENT.		DWN JR RUTH 7/1/96	 TE Connectivity			
DIMENSIONS: mm [INCHES]		CHK MS FEHER 7/1/96				NAME
		APVD P DESANTIS 7/1/96	TAB, FASTON, 4.75 [.187] SERIES			
TOLERANCES UNLESS OTHERWISE SPECIFIED: 0 PLC ± - 1 PLC ± - 2 PLC ± 0.25 [.010] 3 PLC ± - 4 PLC ± - ANGLES ± -		PRODUCT SPEC -	RESTRICTED TO			
MATERIAL BRASS		FINISH TIN	APPLICATION SPEC -	SIZE A3	CAGE CODE 00779	DRAWING NO C-63919
CUSTOMER DRAWING			WEIGHT -	SCALE 5:1	SHEET 1 OF 1	REV C

单击下面可查看定价，库存，交付和生命周期等信息

[>>TE Connectivity\(泰科\)](#)