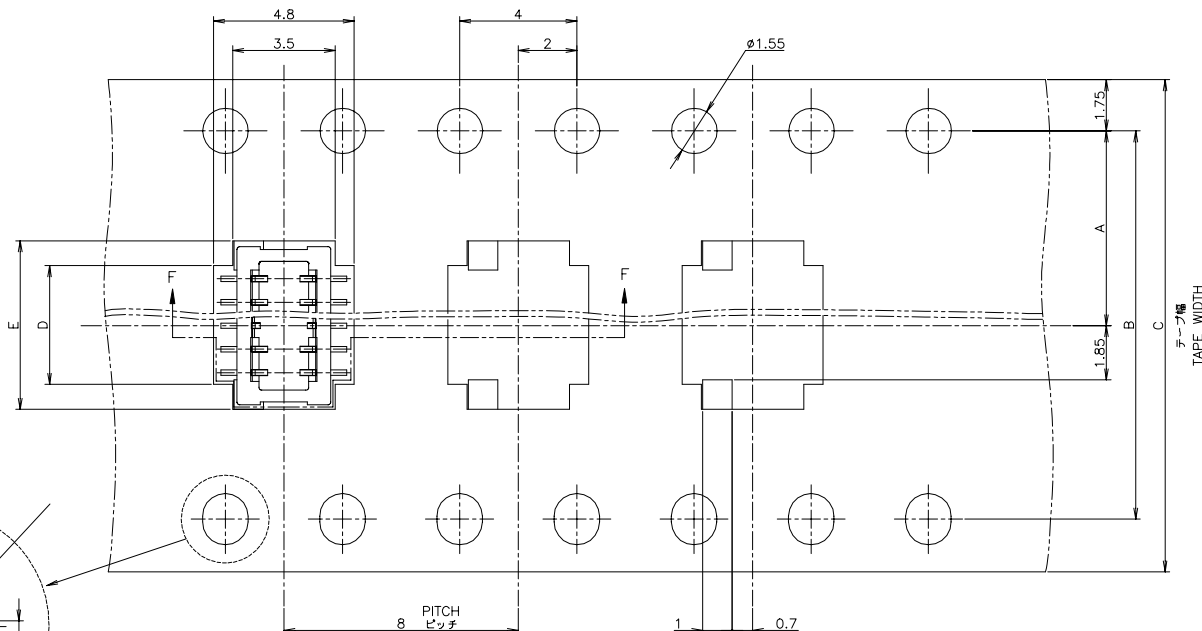
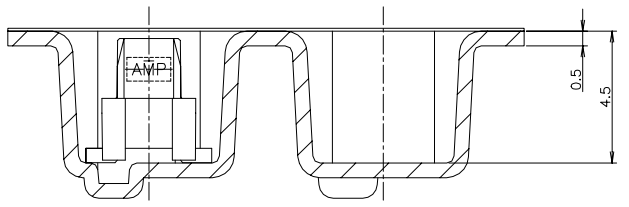
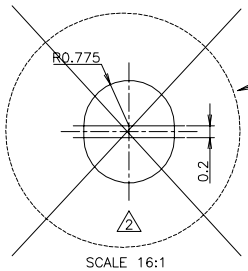


REVISIONS					
P	LTR	DESCRIPTION	DATE	DWN	APVD
G1		REVISED PER ECO-21-004618	12MAR2021	A.L	H.L

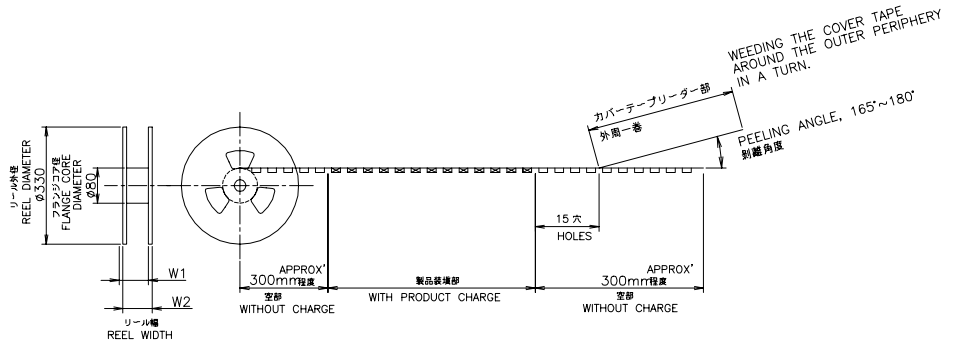
1 包装規格: 107-5142-1  
 △指示穴は 48 極品のみは適用。  
 1 PACKAGING SPEC: 107-5142-1  
 △ THESE HOLES ARE APPLIED TO 48 POS. ONLY.



テープ幅  
TAPE WIDTH



TOP OF REEL  
 引出し方向 →



WEEDING THE COVER TAPE AROUND THE OUTER PERIPHERY IN A TURN.  
 PEELING ANGLE: 165°~180°  
 剥離角度

OBSOLETE	-37	34	20.9	19.2	32	28.4	14.2	1500	48	4	179208-8
OBSOLETE	29	26	13.7	12.0	24	#	11.5	1500	30	3	179208-0
OBSOLETE	-21	18	9.7	8.0	16	#	7.5	1500	20	2	179208-0
	21	18	8.9	7.2	16	#	7.5	1500	18	1	179208-8
	21	18	8.1	6.4	16	#	7.5	1500	16	1	179208-6
OBSOLETE	-21	18	7.3	5.6	16	#	7.5	1500	14	1	179208-4
	W2	W1	E	D	C	B	A	数量(ヶ) QTY/REEL	極数 POS	リール巻 コネクタ型番 TAPING P/N	

GENERAL TOLERANCE  
 一般公差  
 10 ≥ : ±0.2  
 30 ≥ > 10 : ±0.25  
 100 ≥ > 30 : ±0.3  
 ANGLES : ±3°

THIS DRAWING IS A CONTROLLED DOCUMENT.

DWN: K.ASAKAWA 27JUL1993  
 CHK: S.KUBOUCHI 27JUL1993  
 APVD: S.KUBOUCHI 22OCT1998

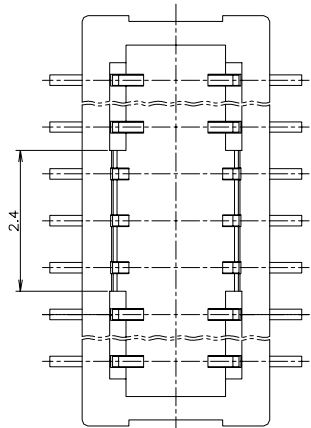
TE Connectivity Ltd.

ON TAPING EMBOSS  
 PLUG ASSEMBLY WITHOUT BOSS  
 0.8mm PITCH BTB CONN Au PLATED

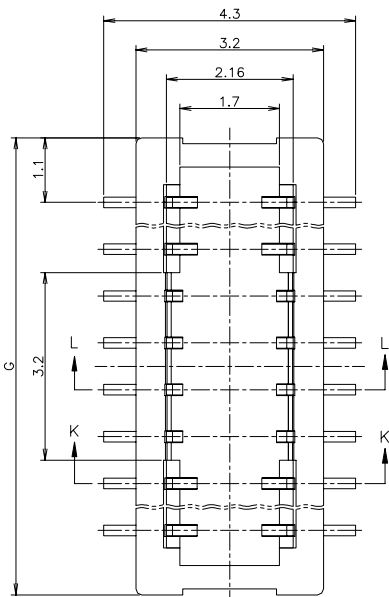
SIZE: A2 CAGE CODE: 00779 DRAWING NO: 179208  
 WEIGHT: 1.00g RESTRICTED TO: G1

CUSTOMER DRAWING SCALE: 8:1 SHEET: 1 of 2 REV: G1

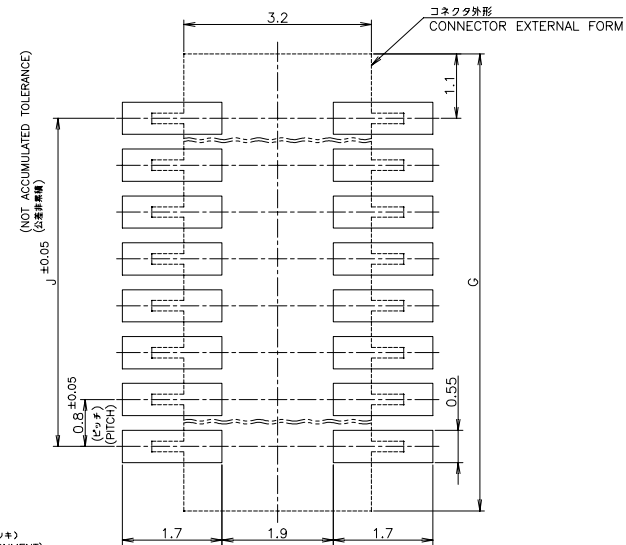
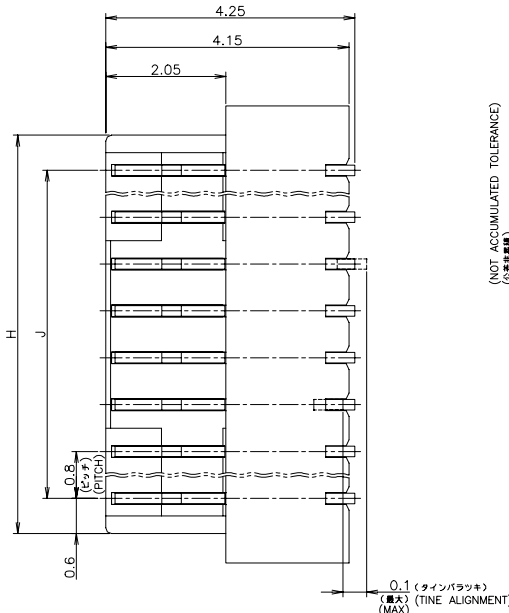
REVISIONS					
P	LTR	DESCRIPTION	DATE	DWN	APVD
-	-	SEE SHEET 1	-	-	-



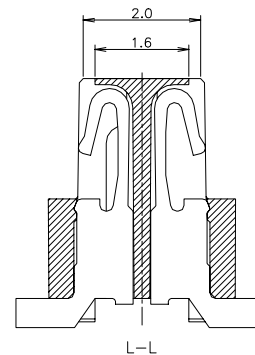
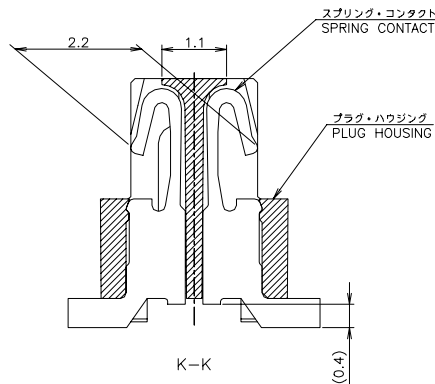
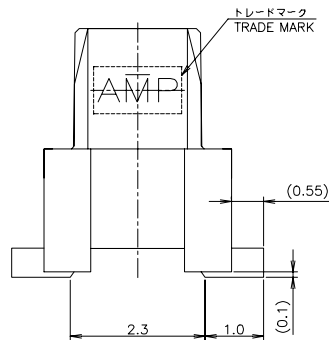
14, 18, 30 極 (n: 奇数)  
14, 18, 30 POS (n: ODD NUMBER)



16, 20, 24, 28, 32, 36, 40, 44, 48 極 (n: 偶数)  
16, 20, 24, 28, 32, 36, 40, 44, 48 POS (n: EVEN NUMBER)



参考基板加工寸法  
REFERENCE P.C. BOARD LAYOUT



0.433	18.4	19.6	20.6	24	48
0.277	11.2	12.4	13.4	15	30
0.190	7.2	8.4	9.4	10	20
0.172	6.4	7.6	8.6	9	18
0.155	5.6	6.8	7.8	8	16
0.137	4.8	6.0	7.0	7	14
重量 (g) WEIGHT	J	H	G	n	極数 POS

- 3 材料: ハウジング - 6T NYLON (高耐熱性ナイロン) ガラス30%  
色: 乳白色  
コンタクト - 焼青銅 / デュラゴールドめっき、ニッケル下地めっき  
4 嵌合相手製品型番: 179209 (キャップ・アセンブリ 垂直型 ボス付)  
316738 (キャップ・アセンブリ 水平型)

- 3 MATERIAL: HOUSING - 6T NYLON (HIGH HEAT-RESISTED NYLON) GF30%  
COLOR: MILK WHITE  
CONTACT - ALL DURAGOLD PLT OVER  
ALL NICKEL PLT / PHOS-BROZ.  
4 MATING COUNTER PART NUMBER: 179209 (CAP ASSY V-TYPE WITH BOSS)  
316738 (CAP ASSY H-TYPE)

THIS DRAWING IS A CONTROLLED DOCUMENT.

DIMENSIONS: 単位: 尺 mm	TOLERANCES UNLESS OTHERWISE SPECIFIED: 公差	DWN	CHK	APVD	NAME 名称
0 PLC ± 0.25 1 PLC ± 0.25 2 PLC ± 0.25 3 PLC ± 0.25 4 PLC ± 0.25	± 0.25 ± 0.25 ± 0.25 ± 0.25 ± 0.25	FINISH 仕上	ANGLES 主 3°	PRODUCT SPEC 製品規格	ON TAPING EMBOSS PLUG ASSEMBLY WITHOUT BOSS 0.8mm PITCH BTB CONN Au PLATED
MATERIAL 材料	SEE NOTE 3 注3 参照	FINISH 仕上	SEE NOTE 3 注3 参照	APPLICATION SPEC 取付適用規格	SIZE A2
WEIGHT	CUSTOMER DRAWING	SCALE 尺度 16:1	SHEET 2 of 2	RESTRICTED TO	REV G1

TE Connectivity Ltd.

00779 179208

单击下面可查看定价，库存，交付和生命周期等信息

[>>TE Connectivity\(泰科\)](#)