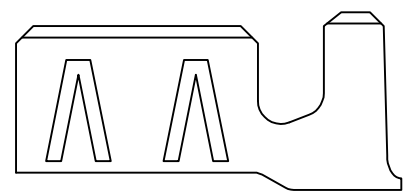
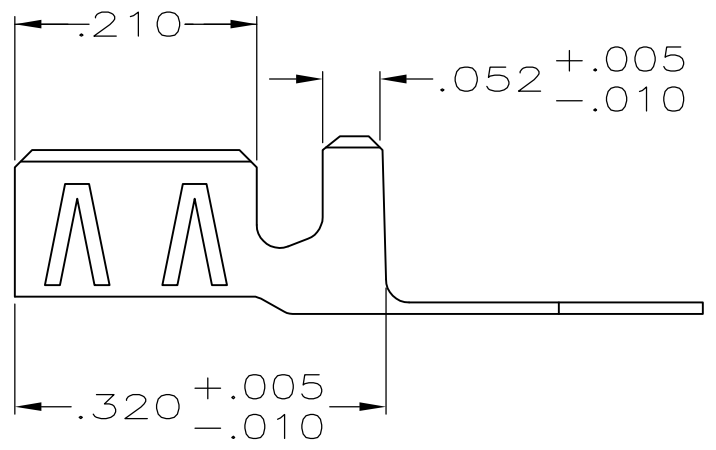
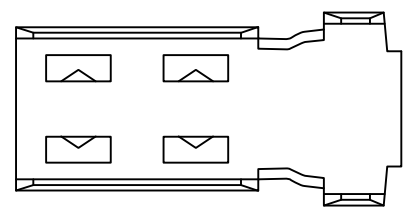
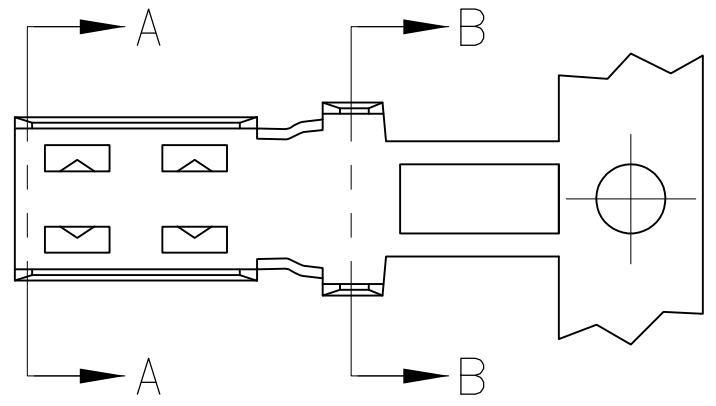


THIS DRAWING IS UNPUBLISHED. RELEASED FOR PUBLICATION
 © COPYRIGHT BY TYCO ELECTRONICS CORPORATION. ALL RIGHTS RESERVED.

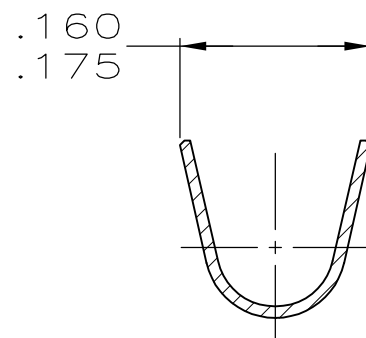
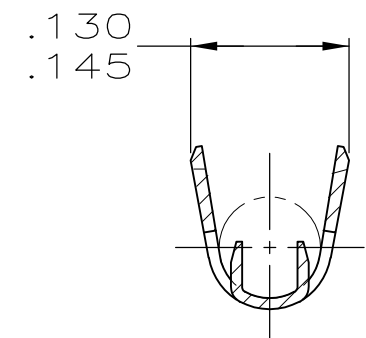
LOC	DIST	REVISIONS			
P	LTR	DESCRIPTION	DATE	DWN	APVD
AJ	16	N	REV PER EC 0S14-0028-05	18DEC05	BC KW
		N1	REVISED PER ECO-09-020689	01SEP09	KK AEG



VIEW C

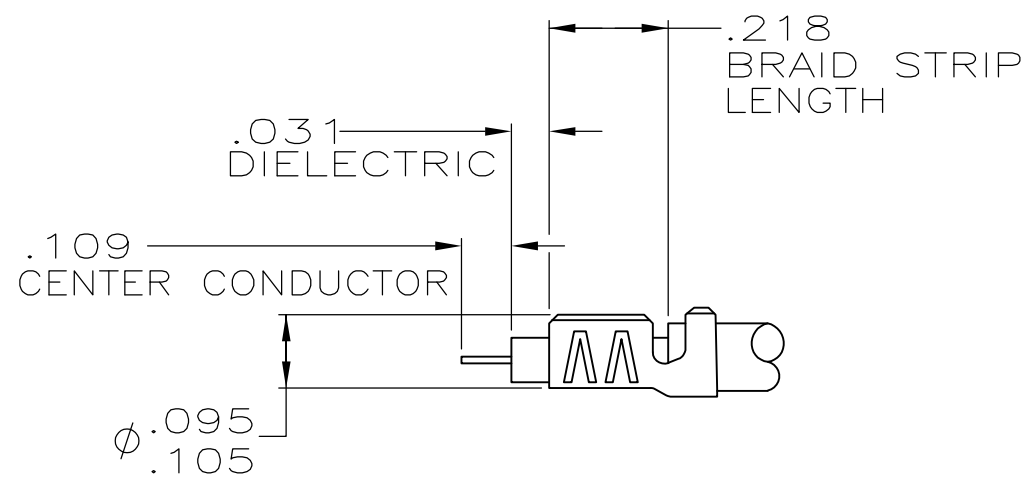
VIEW D
(SAME AS VIEW C EXCEPT AS SHOWN)

- ACCEPTS COAX CABLE WITH .095-.122 O.D. JACKETS AND .055-.077 DIELECTRIC O.D. AND A #25 SOLID CENTER CONDUCTOR
- BRASS PER MIL-C-50, (.010 THK).
- TIN-LEAD PLATE PER MIL-P-81728 OVER NICKEL PLATE PER QQ-N-290.
- TIN PLATE PER ASTM B-545
- INSTRUCTION SHEET NO.: 408-2472-1.
- OBSOLETE PARTS: OBSOLETE CIS STREAMLINING PER D.RENAUD/D.SINISI



SECTION A-A

SECTION B-B



ASSEMBLED VIEW

△6	OBSOLETE	△4	ON STRIP	C	9-226286-1	
	OBSOLETE	△4	LOOSE PIECE	D	9-226286-0	
	OBSOLETE	△3	LOOSE PIECE	D	226286-3	
		△3	ON STRIP	C	226286-2	
			FINISH	TYPE	VIEW	PART NUMBER

THIS DRAWING IS A CONTROLLED DOCUMENT.		DWN M. O'BRINE 18FEB00	Tyco Electronics Corporation Harrisburg, PA 17105-3608		
DIMENSIONS: INCHES		CHK J. LIPPERT 18FEB00	NAME PICK TYPE-BRAID TERMINATION		
TOLERANCES UNLESS OTHERWISE SPECIFIED:		APVD J. LIPPERT 18FEB00	PRODUCT SPEC		
0 PLC ± - 1 PLC ± - 2 PLC ± - 3 PLC ± .008 4 PLC ± - ANGLES ± -		APPLICATION SPEC		SIZE	RESTRICTED TO
MATERIAL	FINISH	WEIGHT	A300779	CAGE CODE	DRAWING NO
-	SEE TABLE	-	G-226286	SCALE	SHEET
CUSTOMER DRAWING			6:1	1 OF 1	REV N1

单击下面可查看定价，库存，交付和生命周期等信息

[>>TE Connectivity\(泰科\)](#)