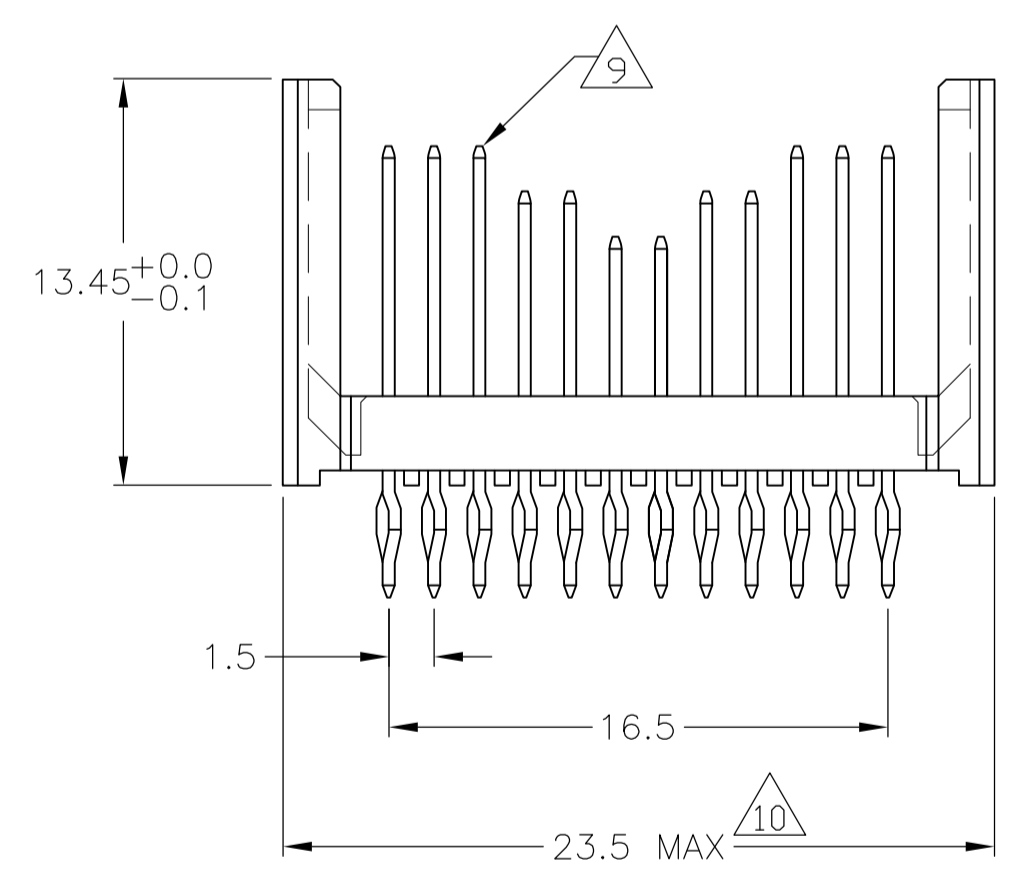
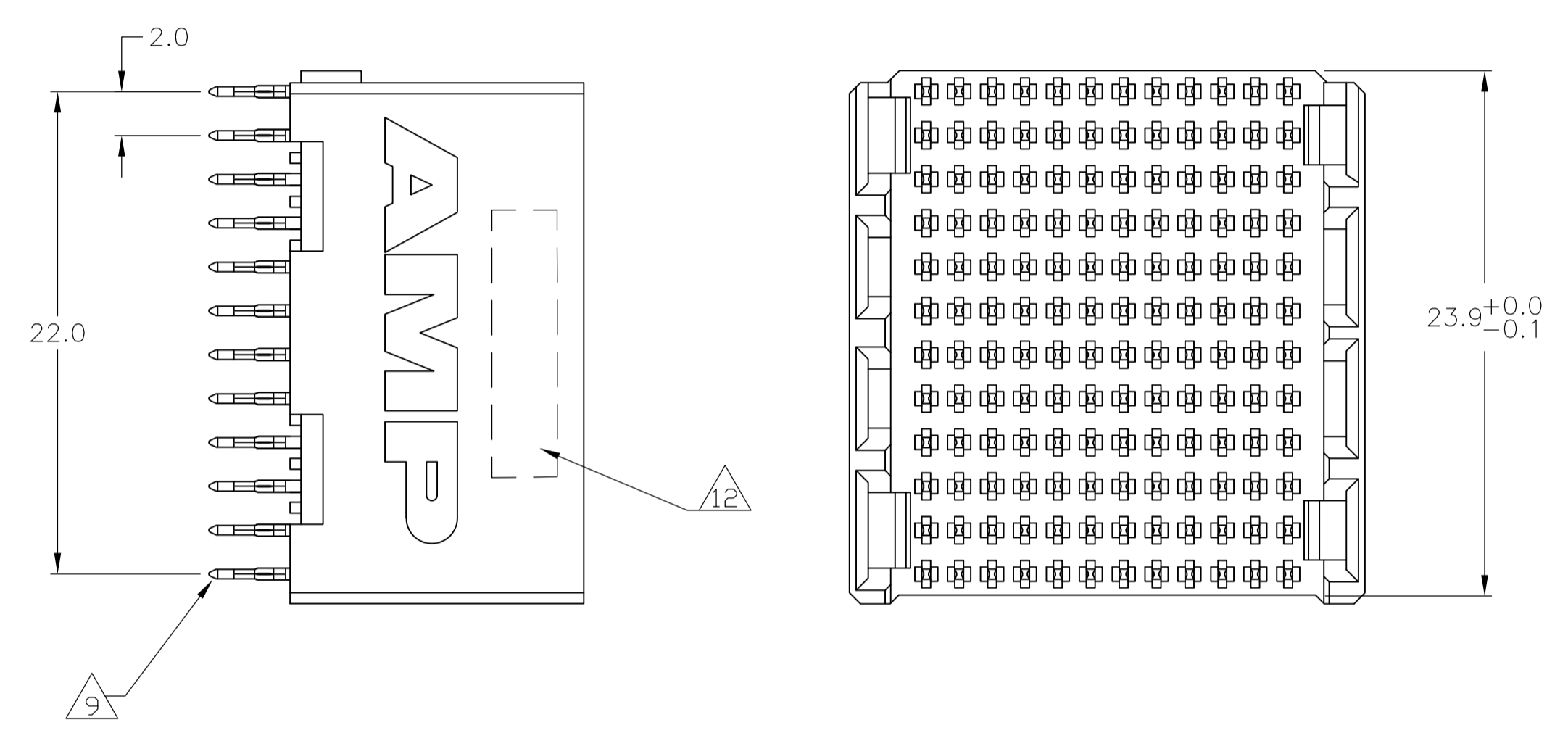
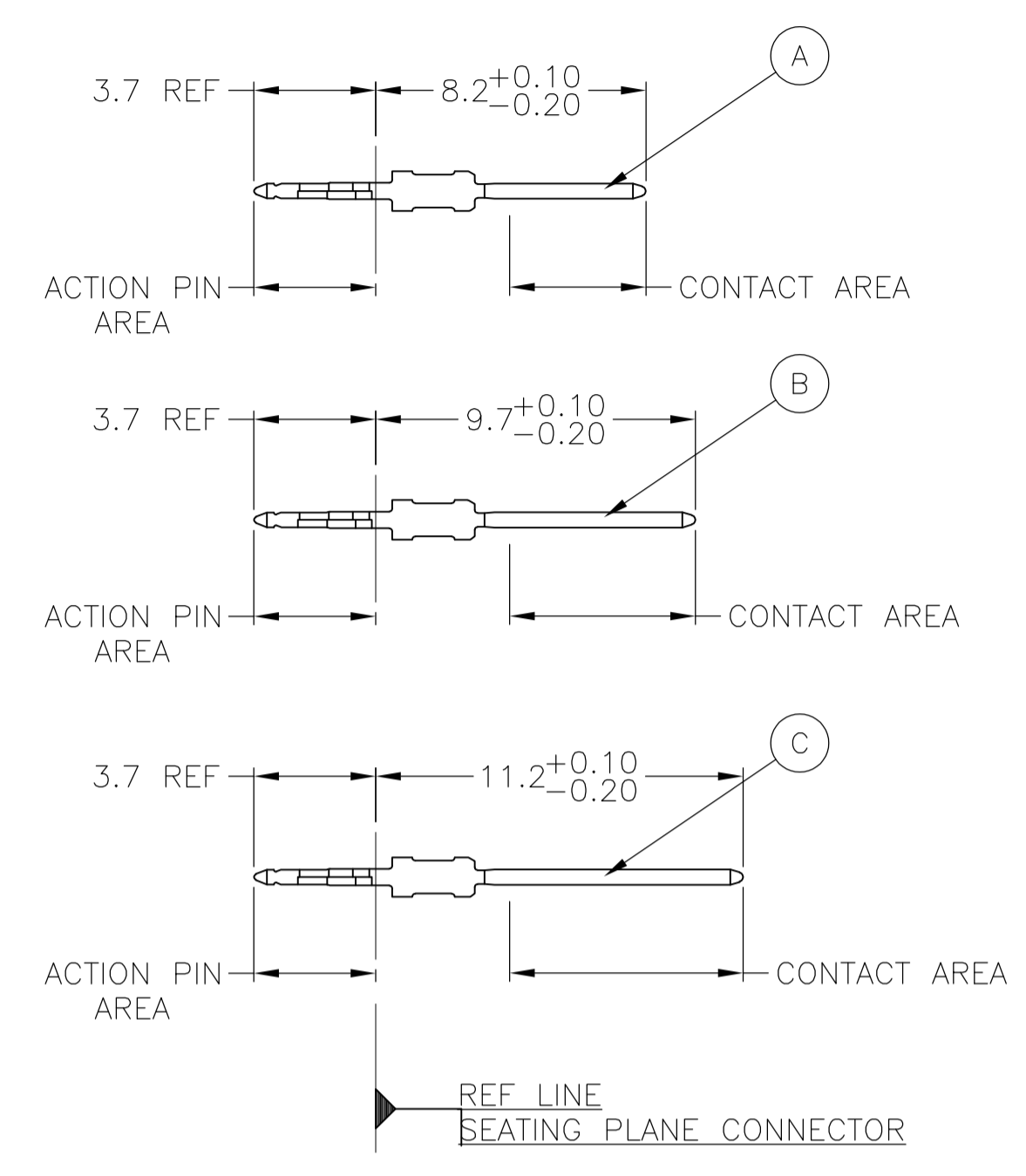


LOC	DIST	REVISIONS			
P	LTR	DESCRIPTION	DATE	DMN	APVD
ES	00	A	INITIAL RELEASE	29MAR11	RC CW

### CONNECTOR ASSEMBLY EXAMPLARY LOADED



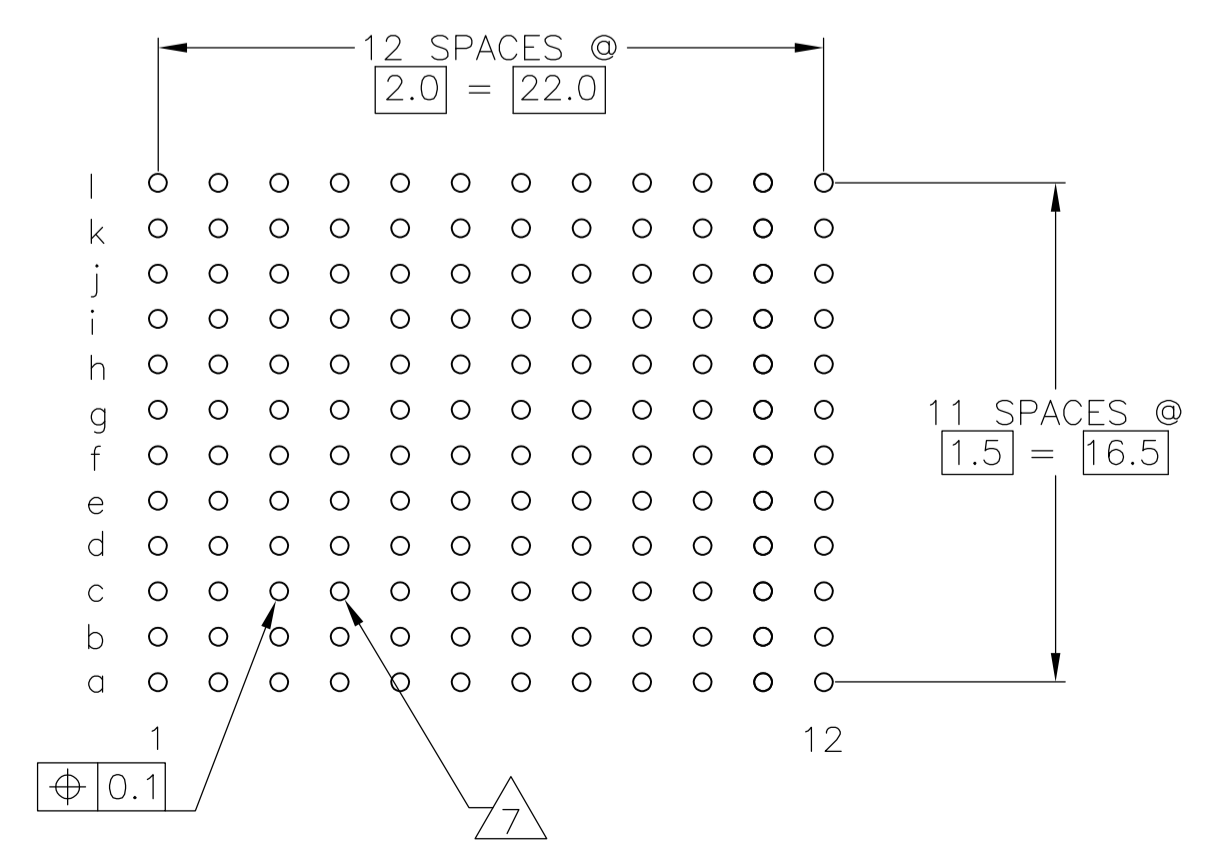
### CONTACT DIMENSIONS SCALE 5:1



### CONTACT LAYOUT

	a	b	c	d	e	f	g	h	i	j	k	l
1	C	C	C	B	B	A	A	B	B	C	C	C
2	C	C	C	B	B	A	A	B	B	C	C	C
3	C	C	C	B	B	A	A	B	B	C	C	C
4	C	C	C	B	B	A	A	B	B	C	C	C
5	C	C	C	B	B	A	A	B	B	C	C	C
6	C	C	C	B	B	A	A	B	B	C	C	C
7	C	C	C	B	B	A	A	B	B	C	C	C
8	C	C	C	B	B	A	A	B	B	C	C	C
9	C	C	C	B	B	A	A	B	B	C	C	C
10	C	C	C	B	B	A	A	B	B	C	C	C
11	C	C	C	B	B	A	A	B	B	C	C	C
12	C	C	C	B	B	A	A	B	B	C	C	C

### RECOMMENDED PCB-HOLE LAYOUT COMPONENT SIDE SHOWN




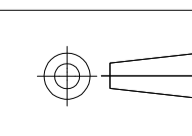
### PLATED THRU HOLES PARAMETERS REFERENCE APPLICATION SPECIFICATION

2/3	1645560-1
FINISH	PART NUMBER

THIS DRAWING IS A CONTROLLED DOCUMENT.		DIN RAYMOND CAO 29MAR11		STE TE Connectivity	
DIMENSIONS: mm		CHK SANDERS YAN 29MAR11		NAME	
TOLERANCES UNLESS OTHERWISE SPECIFIED:		APPD MANQIAN WANG 29MAR11		PRODUCT SPEC	
0-PLC ±		NAME		MALE ASSEMBLY, Z-PACK 2mm HM, TYPE B, 12 ROW	
1-PLC ± 0.1		APPLICATION SPEC		108-1738	
2-PLC ±		SIZE		A1	
3-PLC ±		CAGE CODE		114-1132	
4-PLC ±		DRAWING NO		100779	
ANGLES		WEIGHT		1645560	
MATERIAL		FINISH		CUSTOMER DRAWING	
SEE TABLE		SCALE		4:1	
		SHEET		1 OF 2	
		REV		A	

LOC		DIST		REVISIONS				
P	LTR	DESCRIPTION	DATE	DN	APVD			
-	-	SEE SHEET 1	-	-	-			

- 1 MATERIAL:  
CONTACT: PHOSPHOR BRONZE.  
HOUSING: GLASS-FILLED POLYESTER.
- 2 GENERAL PLATING SPECIFICATION: UNDERPLATING  
(ENTIRE CONTACT): 1.27µm MIN NICKEL AND ACTION  
PIN: 0.5µm MIN TIN.  
FOR PLATING OF MATING SURFACES SEE APPLICABLE  
SPECIFICATION REFERENCE FOR EACH DASH NUMBER.
- 3 CONFORMS TO ALL TESTING ACCORDING TO IEC 61076-4-101  
PERFORMANCE LEVEL 2.
- 4 CONFORMS TO ALL TESTING ACCORDING TO IEC 61076-4-101  
PERFORMANCE LEVEL 1.
- 5 CONNECTOR TESTED AND QUALIFIED AGAINST TELCORDIA GR-1217-CORE QUALITY LEVEL 3,  
CENTRAL OFFICE APPLICATIONS.
- 6 CONNECTOR TESTED AND QUALIFIED AGAINST TELCORDIA GR-1217-CORE QUALITY LEVEL 3,  
UNCONTROLLED ENVIROMENT APPLICATIONS.
- 7 PLATED-THROUGH HOLES AT 2x1.5mm SQUARE GRID  
PATTERN DEFINED BY CONTACT LAYOUT.
- 8 FOR ACTUAL PIN LOADING SEE "CONTACT LAYOUT".
- 9 FOR ACTUAL PIN DIMENSIONS SEE "CONTACT DIMENSIONS".
- 10 TO BE MEASURED AT BOTTOM OF SHROUD.
- 11 CONNECTOR LUBRICATED WITH BELCORE APPROVED LUBRICANT,  
TECHNICAL REFERENCE: TR-NWT-001217 ISSUE 1, SEP 1992.
- 12 CONNECTOR PRINTED WITH PART NUMBER AND DATE CODE,  
LOCATED APPROXIMATELY AS SHOWN.

THIS DRAWING IS A CONTROLLED DOCUMENT.		DIN B CARBO 02JUN05		 <b>TE Connectivity</b>	
DIMENSIONS: mm		TOLERANCES UNLESS OTHERWISE SPECIFIED: ±0.2			
		GSKIPPER 02JUN05 GSKIPPER 02JUN05 PRODUCT SPEC		NAME	
MATERIAL SEE SHEET 1		FINISH SEE SHEET 1		MALE ASSEMBLY, Z-PACK 2mm HM, TYPE B, 12 ROW	
		APPLICATION SPEC 108-1738 114-1132		SIZE CAGE CODE DRAWING NO A1 00779 C=1645560	
		WEIGHT -		RESTRICTED TO	
		CUSTOMER DRAWING		SCALE 4:1 SHEET 2 OF 2 REV A	

单击下面可查看定价，库存，交付和生命周期等信息

[>>TE Connectivity\(泰科\)](#)