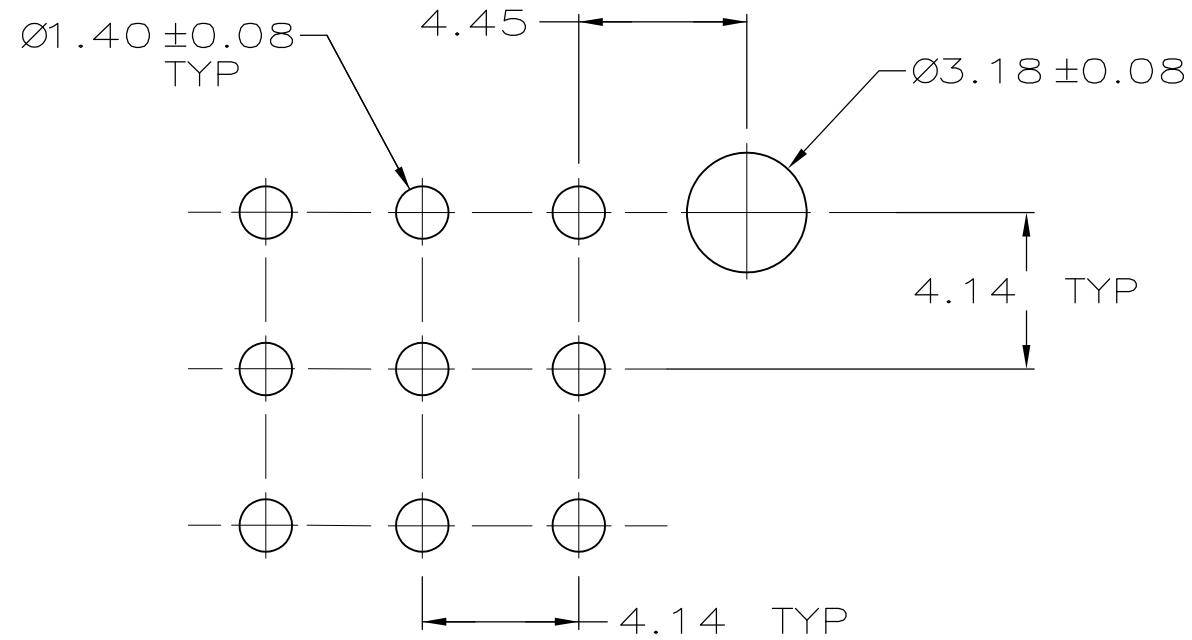
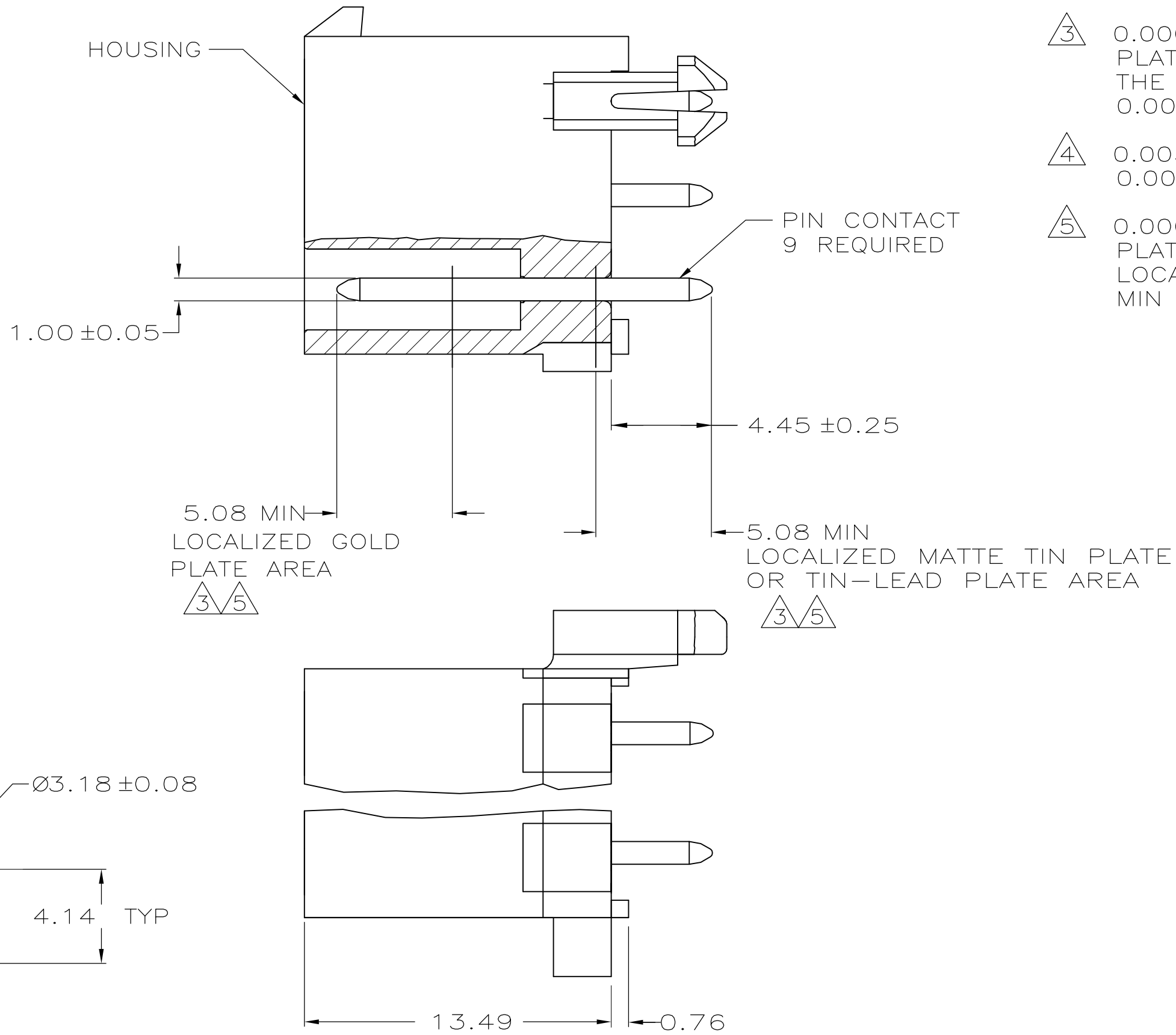
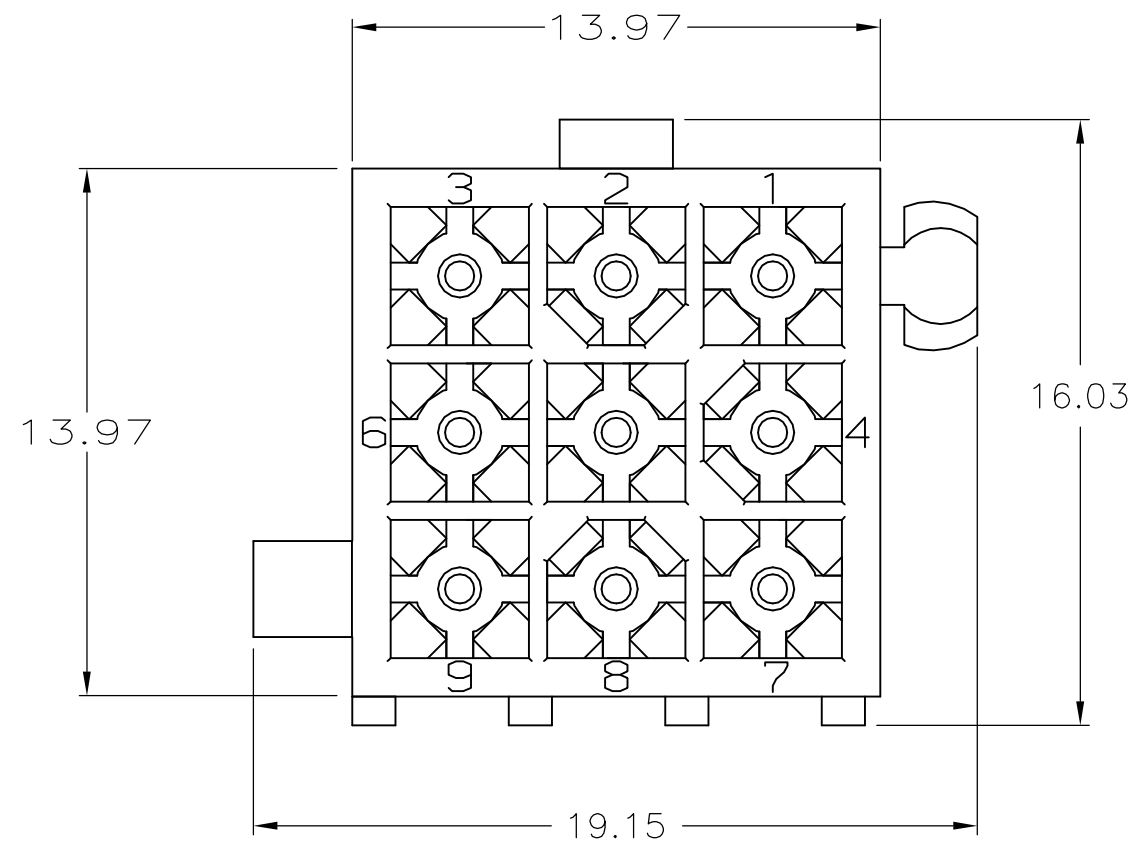


THIS DRAWING IS UNPUBLISHED. RELEASED FOR PUBLICATION
 © COPYRIGHT - By - ALL RIGHTS RESERVED.

LOC		DIST		REVISIONS			
P	LTR	DESCRIPTION		DATE	DWN	APVD	
CM	0	M		REVISED PER ECR-15-010337	22JUL2015	RK	SC



RECOMMENDED LAYOUT FOR 1.57 THICK BOARD
 TOLERANCES NON-ACCUMULATIVE

- PINS TO COMPLY WITH AMP SOLDERABILITY SPEC. 109-11-3.
- 0.00381 MIN MATTE TIN LEAD PLATE OVER 0.00127 MIN NICKEL.
- 0.00076 MIN GOLD PLATE IN THE LOCALIZED PLATE AREA, 0.00381 MATTE TIN LEAD IN THE LOCALIZED PLATE AREA, BOTH OVER 0.00127 MIN NICKEL.
- 0.00381 MIN MATTE TIN PLATE OVER 0.00127 MIN NICKEL.
- 0.00076 MIN GOLD PLATE IN THE LOCALIZED PLATE AREA, 0.00381 MATTE TIN IN THE LOCALIZED PLATE AREA, BOTH OVER 0.00127 MIN NICKEL.

BRASS, GOLD	5	NYLON, UL94V-0	WHITE	1-770182-1
BRASS, TIN	4	NYLON, UL94V-0	WHITE	1-770182-0
BRASS, GOLD	3	NYLON, UL94V-0	WHITE	770182-2
BRASS, TIN-LEAD	2	NYLON, UL94V-0	WHITE	770182-1
MATERIAL	FINISH	MATERIAL	COLOR	PART NO.

DIMENSIONS:		TOLERANCES UNLESS OTHERWISE SPECIFIED:		PIN		HOUSING	
mm		0 PLC ± -		DWN S CARPENTER 08JUN05			
		1 PLC ± -		CHK R JONES 28JUL2003			
		2 PLC ± 0.13		APVD R JONES 28JUL2003			
		3 PLC ± -		PRODUCT SPEC			
		4 PLC ± -		APPLICATION SPEC			
		ANGLES ± -		WEIGHT -			
MATERIAL -	FINISH -			CUSTOMER DRAWING			

THIS DRAWING IS A CONTROLLED DOCUMENT.		DWN S CARPENTER 08JUN05		TE Connectivity	
		CHK R JONES 28JUL2003		NAME	
		APVD R JONES 28JUL2003		HEATER ASSEMBLY, 9 CKT, MINI UNIVERSAL MATE-N-LOK	
		PRODUCT SPEC		SIZE CAGE CODE DRAWING NO RESTRICTED TO	
		APPLICATION SPEC		A2 00779 C=770182	
		WEIGHT -		SCALE 5:1 SHEET 1 of 1 REV M	

单击下面可查看定价，库存，交付和生命周期等信息

[>>TE Connectivity\(泰科\)](#)