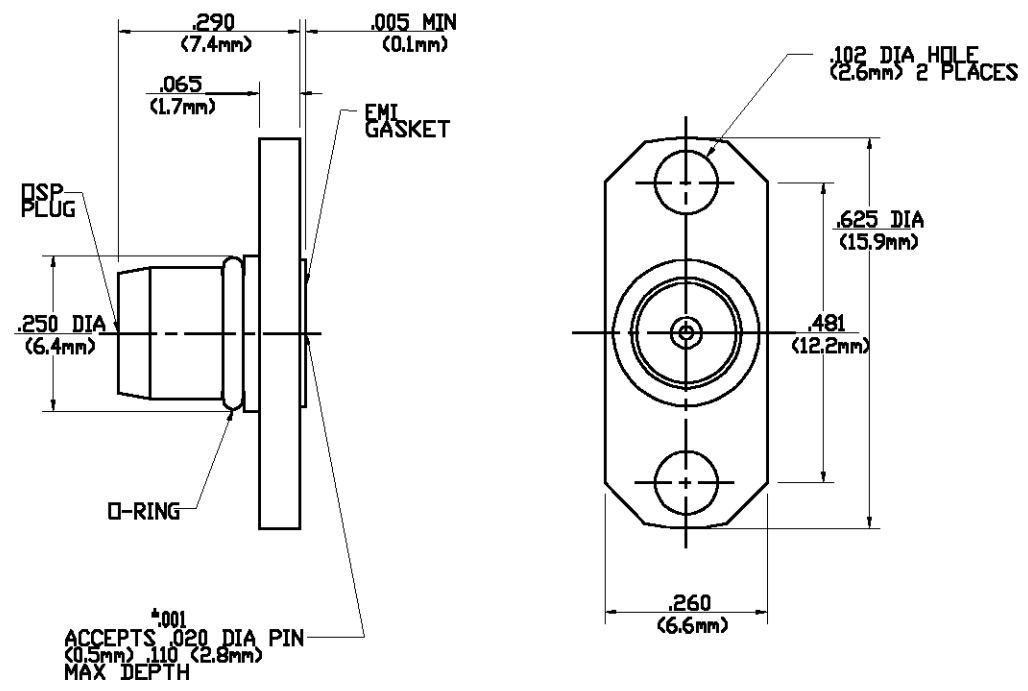
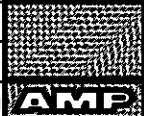


REVISIONS			
REV	DESCRIPTION	DATE	APPROVED
01 0	RELEASED	3/29/89	<i>DeMello</i>
B	REVISED PER ECN 0U20-0262-01	G.V. 12/16/02	JGH



NOTES:
1. CAPTURED CENTER CONTACT

HOUSING	STAINLESS STEEL PER ASTM-A484 AND ASTM-A582, TYPE 303	PASSIVATE PER ASTM-A380
DIELECTRIC	TFE FLUOROCARBON PER MIL-P-19468, AND FED SPEC L-P-403	N/A
CENTER CONTACT	BERYLLIUM COPPER PER QQ-C-530, ALLOY 173	GOLD PLATE PER MIL-G-45204 OVER COPPER PLATE PER MIL-C-14550
EMI GASKET	CONDUCTIVE SILVER/SILICONE ELASTOMERS	N/A
O-RING	FLUOROSILICONE PER MIL-R-25988, CLASS I, TYPE I.	N/A

COMPONENT	MATERIAL	FINISH
UNLESS OTHERWISE SPECIFIED DIMENSIONS ARE IN INCHES TOLERANCE ON FRAC. DEC. ANGLES ± 1/84 ± .005 ± 1'		 AMP Incorporated 140 Fourth Avenue Waltham, MA 02451-7599
DRAWN BY BB	DATE 3-27-89	
CHECKED BY M.Y.	DATE 3-29-89	
APPROVED BY <i>DeMello</i>	DATE 3-29-89	
USE ASS'Y PROCEDURE	TITLE DSP 2-HOLE FLANGE MOUNT PLUG RECEPTACLE WITH EMI GASKET-SOCKET TERMINAL	
NO. A.P. <u>N/A</u>	SIZE B	CODE IDENT NO. 26805 4551-5025-02 REV 01 0
	SCALE	SHEET 1 OF 1

CUSTOMER DRAWING

AMP PART # 1059577-1
SHEET 1 OF 1 REV B

单击下面可查看定价，库存，交付和生命周期等信息

[>>TE Connectivity\(泰科\)](#)