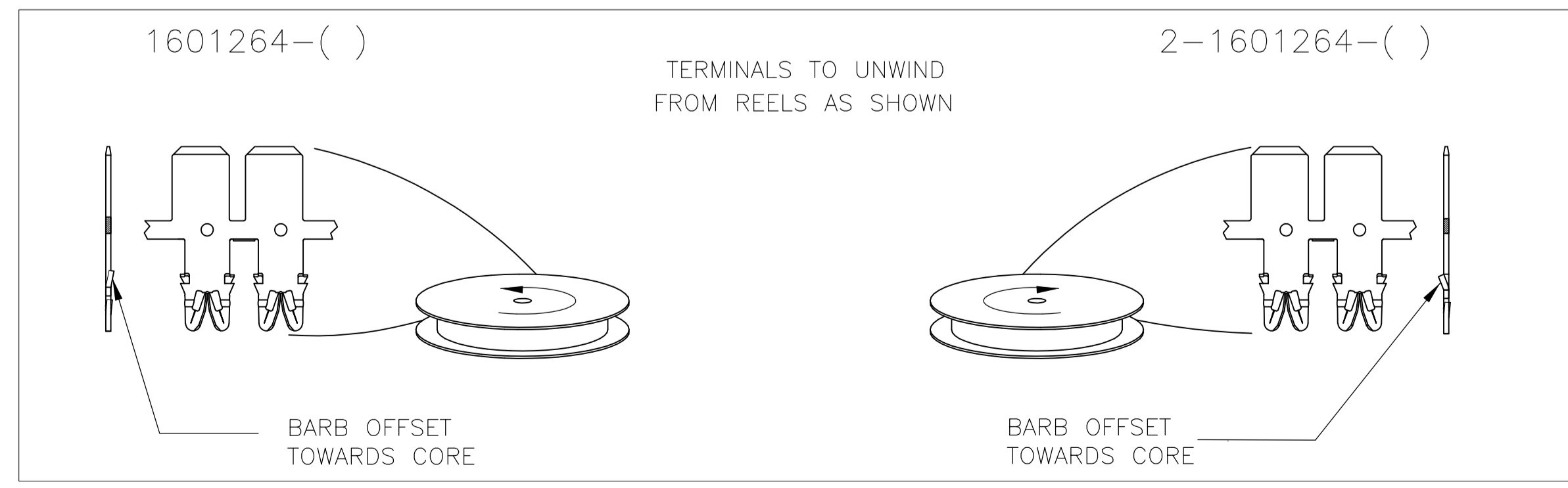
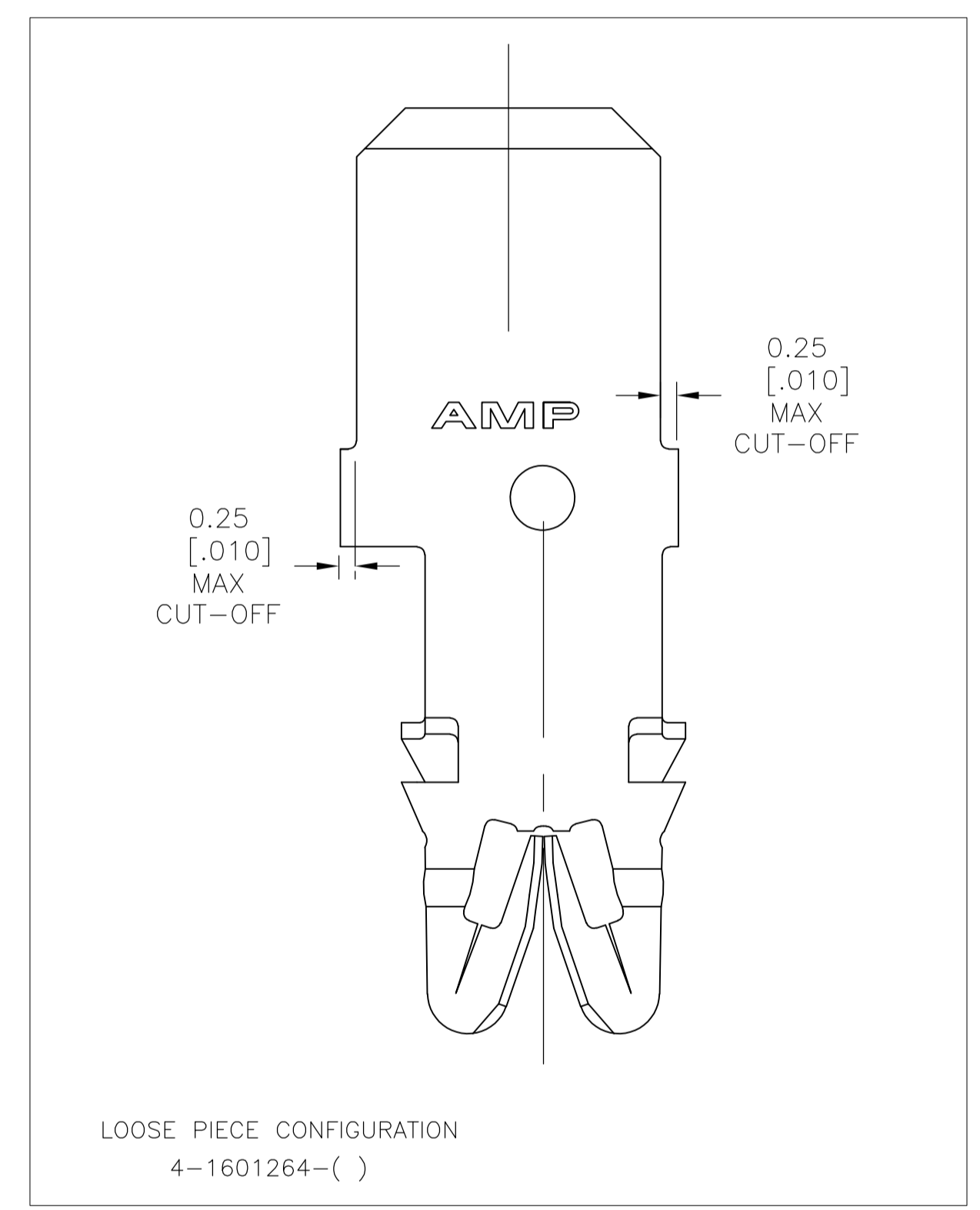
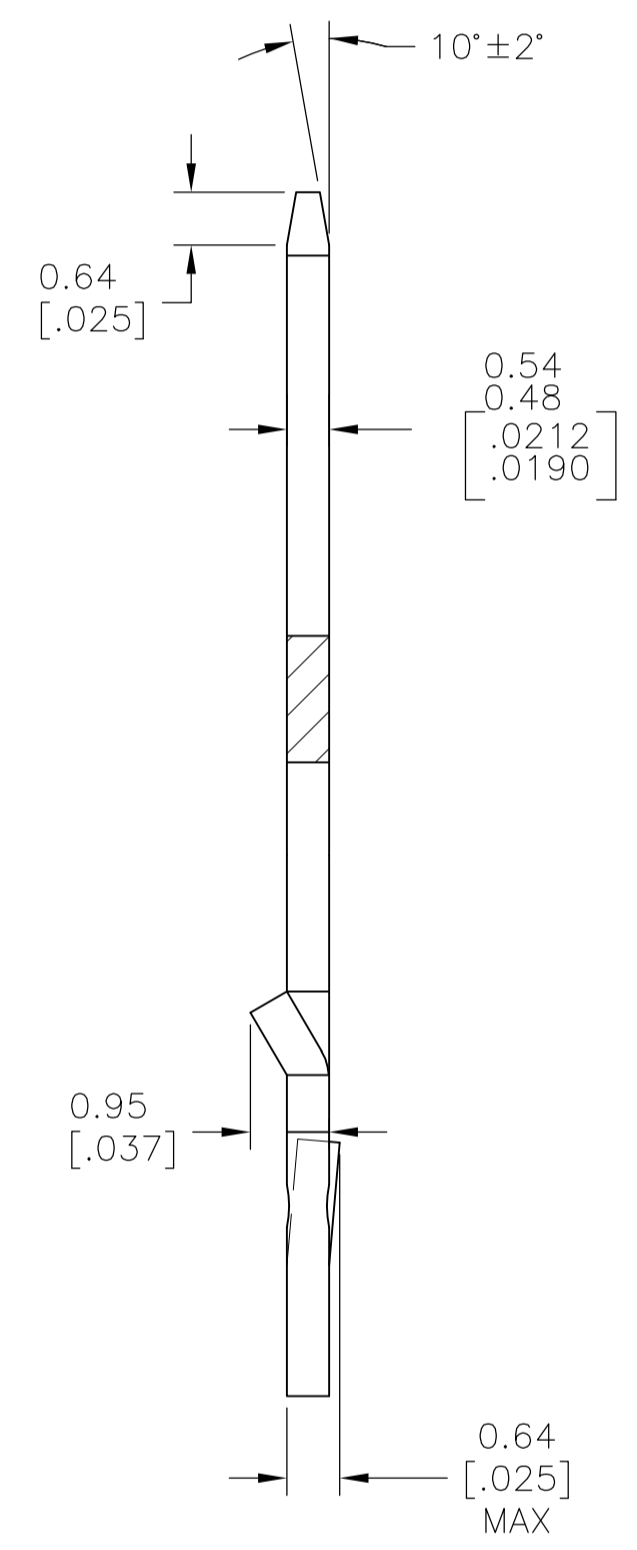
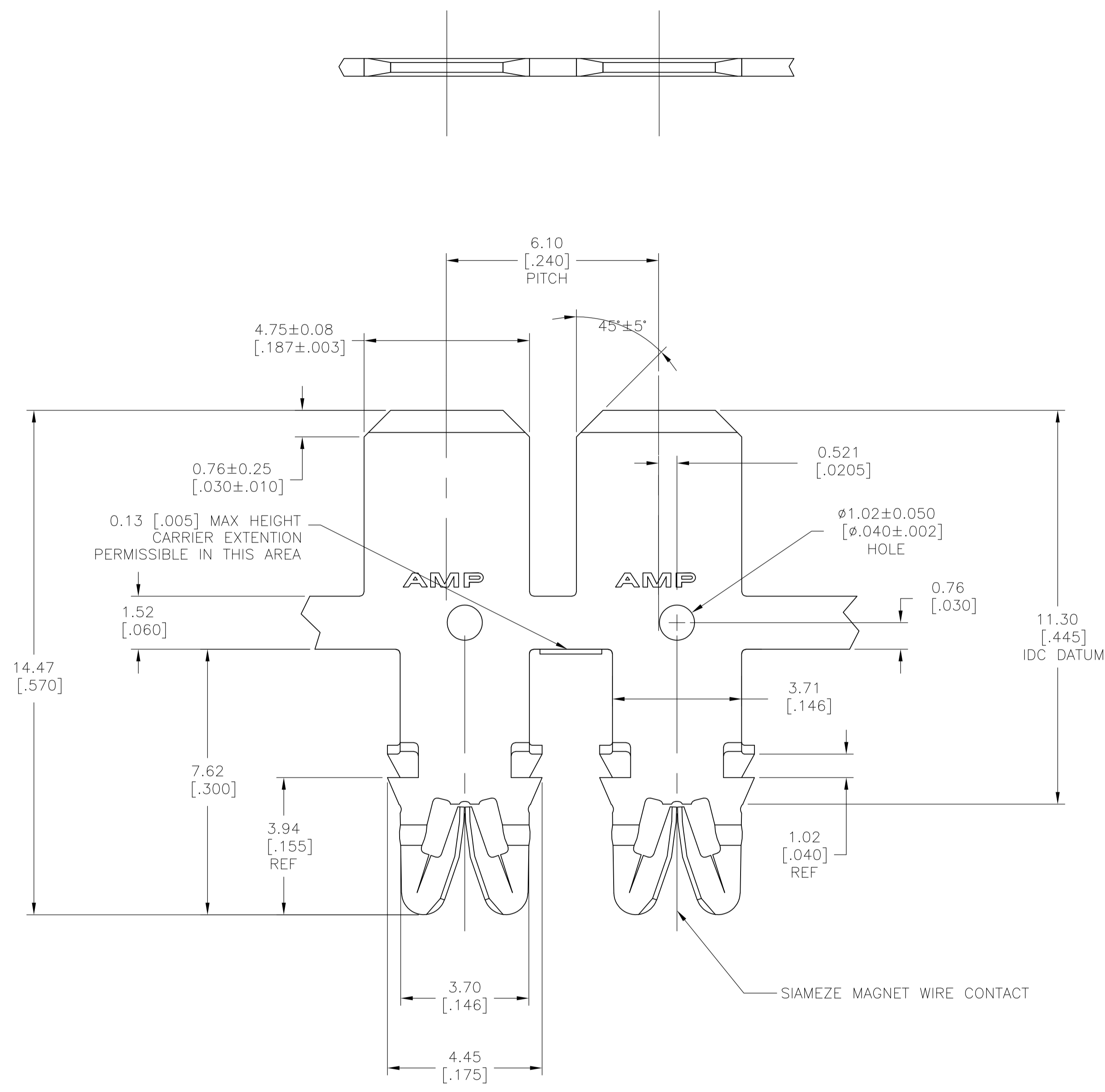


LOC		DIST		REVISIONS			
AF	50	REV	DATE	BY	APPV		
A1		REVISED PER	ECR-12-007322	20APR12	KH	GJ	

- 1 SPECIFICATION: WIRE RANGE; #18-#34 AWG. 0.16-1.02 mm [.006-.040] DIA. COPPER MAGNET WIRE.
- 2 POCKET RECOMMENDATION: 1601425 EXCEPT 7.61 [.300] HIGH, ALTERNATE POCKET 1601431
- 3 TERMINAL APPLICATION TO COMPLY WITH TYCO ELECTRONICS SPEC 114-13166, CONSULT TYCO ELECTRONICS PRODUCT ENGINEERING FOR PROPER INSERTION DEPTH.
- 4 POST PLATED TIN OVER COPPER
- 5 2 TERMINALS SHOWN FOR ILLUSTRATION PURPOSES.
- 6 NON-STANDARD PACKAGING. REDUCED QUANTITY. REEL WITH FLUTED PLASTIC FLANGES AND PAPER CORE. PAPER INTERLEAVING. PLACED IN A PLASTIC BAG.
- 7 NON-STANDARD PACKAGING. ALL PLASTIC REEL. PLASTIC INTERLEAVING. PLACED IN A PLASTIC BAG.
- 8 NON-STANDARD DOUBLE BAG.
- 9 PRELIMINARY - NOT FOR PRODUCTION



8	9	4-1601264-2
7		1601264-4
6	9	1601264-3
STANDARD	9	1601264-2
PACKAGING		PART NUMBER

THIS DRAWING IS A CONTROLLED DOCUMENT.		DIN 10MAR11		J.R. RUTH		10MAR11		TE Connectivity	
DIMENSIONS: mm [INCHES]		TOLERANCES UNLESS OTHERWISE SPECIFIED:		GK G. JACOPO		10MAR11		NAME	
0 PLC ± -		1 PLC ± -		G. JACOPO		10MAR11		PRODUCT SPEC	
1 PLC ± -		2 PLC ± 0.13 [.005]		108-2085				APPLICATION SPEC	
2 PLC ± -		3 PLC ± -		3				SIZE	
3 PLC ± -		4 PLC ± -		A1		00779		DRAWING NO	
ANGLES ± °				1601264				RESTRICTED TO	
MATERIAL FULL HARD BRASS		FINISH 4		CUSTOMER DRAWING		SCALE 11:1		SHEET 1 OF 1	
								REV A1	

单击下面可查看定价，库存，交付和生命周期等信息

[>>TE Connectivity\(泰科\)](#)